

DT243106

Pressure sensors • Pressure transmitter

Pressure transmitter, Ø24mm, 57 long, 0-400bar, 9-30V DC, G1/4 "A, 4-20mA, M12 plug connector 4-pin, IP67, stainless steel V4A



compact design robust VA housing

The indestructible pressure transmitters of the DT24 series with ceramic measuring cell have been designed for use with all gaseous and liquid media of fluid group 2. The measured values can be easily output via the integrated analog output (4...20mA) on a PLC (programmable logic controller) or an external display device. The pressure transmitters impress with their very low long-term drift.

Advantages

- Robust version in stainless steel housing (degree of protection IP67) and ceramic measuring cell
- Media temperature range (-25 °C...+100 °C)
- Short response time (< 3 ms)
- Low long-term drift (≤0.1% per year)

Electrical features

| | |
|---|--|
| Initial setting | 0 - 400000 hPa |
| Response/decay time | 3 ms |
| Type of analog output | 4 - 20mA |
| Type of electrical connection | Connector M12 |
| Load resistance (current output) | 0.5 kOhm |
| No-load current | 25 mA |
| Measuring range pressure | 0 - 400 bar |
| Measurement method | Relative |
| Number of pins | 4 |
| Relative linearity deviation | 0.5 % |
| Relative repeat accuracy | 0.2 % |
| Protection class | III |
| Temperature drift over entire measuring range | 2.5 % |
| Operating voltage (DC) | 9 - 30 V |
| Electrical connection | M12 4-pin plug connector |
| Operating voltage | 9-30VDC |
| ardTEEL_Schutzfunktionen | Short circuit protection Reverse polarity protection |

Mechanical features

| | |
|-------------------------------------|------------------------|
| Type of process connection | G1/4 inch |
| Design | Cylinder plain |
| Bursting pressure | 650 bar |
| Diameter | 23.9 mm |
| Storage temperature | -30 - 85 °C |
| Length | 56.3 mm |
| Max. operating pressure | 500 bar |
| Medium temperature | -25 - 100 °C |
| Wrench size | 22 mm |
| Degree of protection (IP) | IP67 |
| Housing material | Stainless steel 1.4404 |
| Seal material at process connection | Plastic (FKM) |
| Long-term drift per year | 0.1 % |
| Ambient temperature | -25 - 80 °C |
| dimensions | Ø23.9mm, 56.3mm long |
| Material of the process connection | Stainless steel 1.4404 |
| Material of the measuring cell | Ceramic |

Other features

| | |
|--------------|---------------|
| Suitable for | Fluid group 2 |
|--------------|---------------|

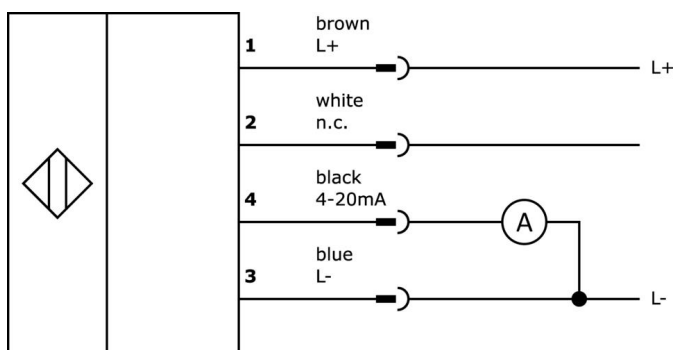
Classification

| |
|--------|
| ETIM 8 |
|--------|

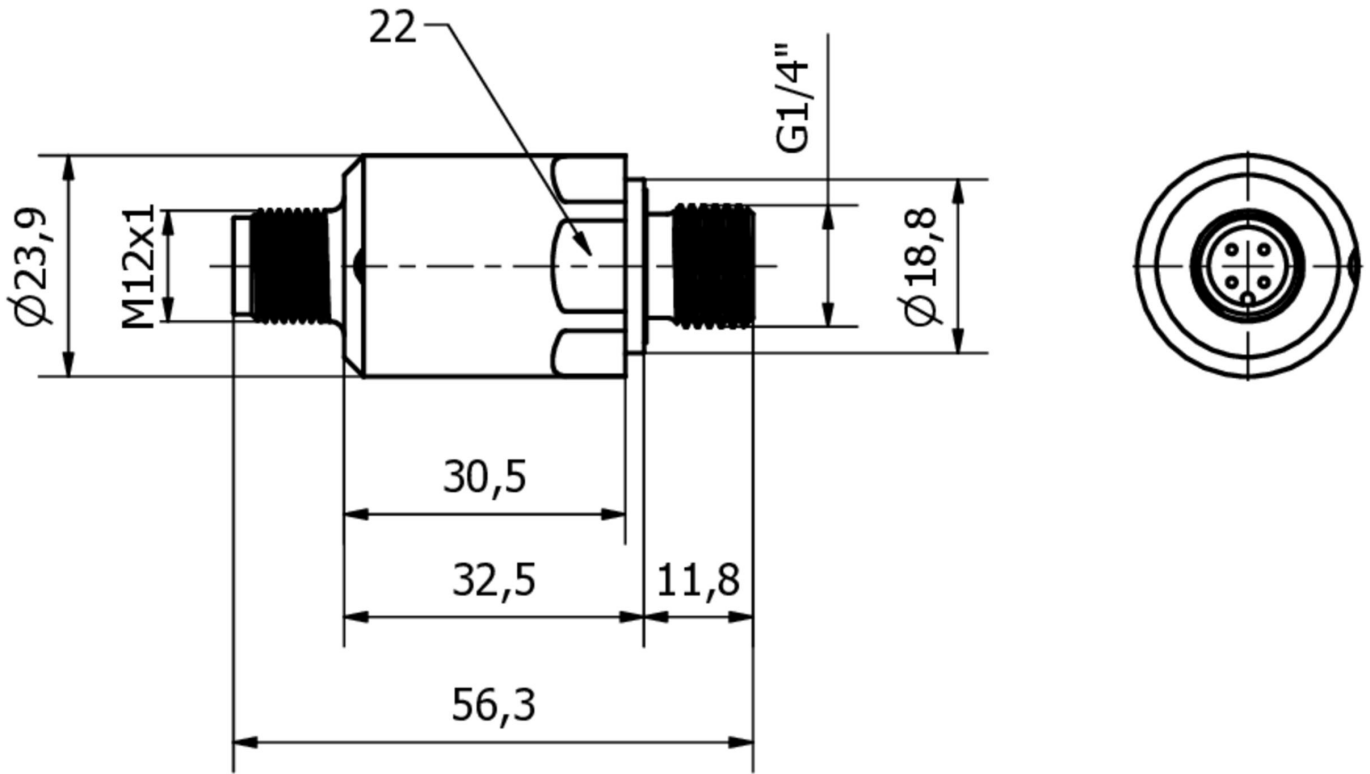
More

| | |
|-----------------------|--------------------------------|
| IPF Product Group | 361 pressure sensors (diverse) |
| packaging dimensions | 105 x 43 x 43 mm |
| gross weight | 85 g |
| Customs tariff number | 90262020 |
| WEEE number | 40951076 |
| Reach-compliant | Yes |
| RoHS-compliant | Yes |
| MTTF value | 2236 year(s) |

Connection



Dimensional drawing



Extract accessories program

VK205321



Connection cable, 2m, M12 socket 4-pin angular, free cable end, 4x0.34mm², PUR (polyurethane), Ø5.5mm, 250V, -25-90°C, IP67, shielded, suitable for trailing chain and torsion resistant, oils and cooling lubricants, welding area, silicone-free

VK205325



Connection cable, 2m, M12 socket 4-pin straight, free cable end, 4x0.34mm², PUR (polyurethane), Ø5.5mm, 250V, -25-90°C, IP67, shielded, suitable for trailing chain and torsion resistant, oils and cooling lubricants, welding area, silicone-free

VK003020



Cable socket, angular, self-assembly, screw connection, Ø3-6.5mm, 4A, 240V, -25-90°C, M12 socket 4-pin, IP67, PBT

VK003024



Cable socket, Straight, Suitable for self-assembly, Screw connection, Ø3-6.5mm, 4A, 240V, -25-90°C, M12 Female (socket) 4pin, IP67, PBT

AD000018



Pressure accessories, adapter, G1/4 - G1/2, 24 Long, stainless steel V4A, FKM

AD000026



Accessories Throttle screw, M5x6mm, stainless steel 1.4404

You can find further accessories on our homepage



Installation

Mounting / installation may only be carried out by a qualified electrician!



Disposal

WEEE number according to § 6 para. 3 ElektroG: 40951076

Safety warnings

- / Before initial operation, please make sure to follow all safety instructions that may be provided in the product information.
- / Never use these devices in applications where the safety of a person depends on their functionality.