

## DT98C478

### Pressure sensors • Pressure transmitter

pressure transmitter, Ø26mm 111long, 0-400bar, 8-32V DC, G1/2 inch A, -40-85°C, 4-20mA, Valve connector type A 2pin, IP65, V4A, Front-flush membrane



Pressure sensors are suitable for measuring different media with high accuracy. They are available with switching output and/or analog output. Using PC software, the measured values can be recorded depending on the device type. These sensors can be used in all areas of e.g. pneumatic and hydraulic applications.

#### Electrical features

Response/decay time	10 ms
Type of analog output	4 - 20mA
Type of electrical connection	Valve connector type A
Short-circuit protection	Yes
Measuring range pressure	0 - 400 bar
Measurement method	Relative
Number of pins	2
Temperature drift over entire measuring range	0.75 %
Reverse polarity protection	Yes
Operating voltage (DC)	8 - 32 V
ardSOCA_ElektrischerAnschluss	Valve plug type A 2-pole
ardSOCA_Betriebsspannung	8-32VDC

**Mechanical features**

Type of process connection	G1/2 inch A
Design	Cylinder plain
Bursting pressure	1250 bar
Diameter	26.5 mm
For liquid media	Yes
For pasty media	Yes
Thread length	20.5 mm
Thread pitch	1.81 mm
Length	111 mm
Max. operating pressure	400 bar
Medium temperature	-40 - 125 °C
Nominal pressure	400 bar
Degree of protection (IP)	IP65
Housing material	Stainless steel 1.4404
Sensing element material	Stainless steel 1.4435
Front-flush membrane	Yes
Ambient temperature	-40 - 85 °C
ardSOCA_Abmessungen	Ø26.5mm, 111mm long
ardTEME_WerkstoffDesProzessanschlusses	Stainless steel 1.4435
ardTEME_WerkstoffDerMesszelle	Stainless steel 1.4435

**Other features**

Measuring display	Relative
Relative measurement accuracy	0.5 %
ardTE00_Anwendungen	Hydraulik-Anwendungen

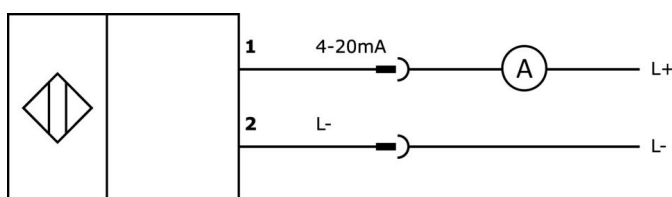
**Classification**

ETIM 8	EC000243 Pressure switch
--------	--------------------------

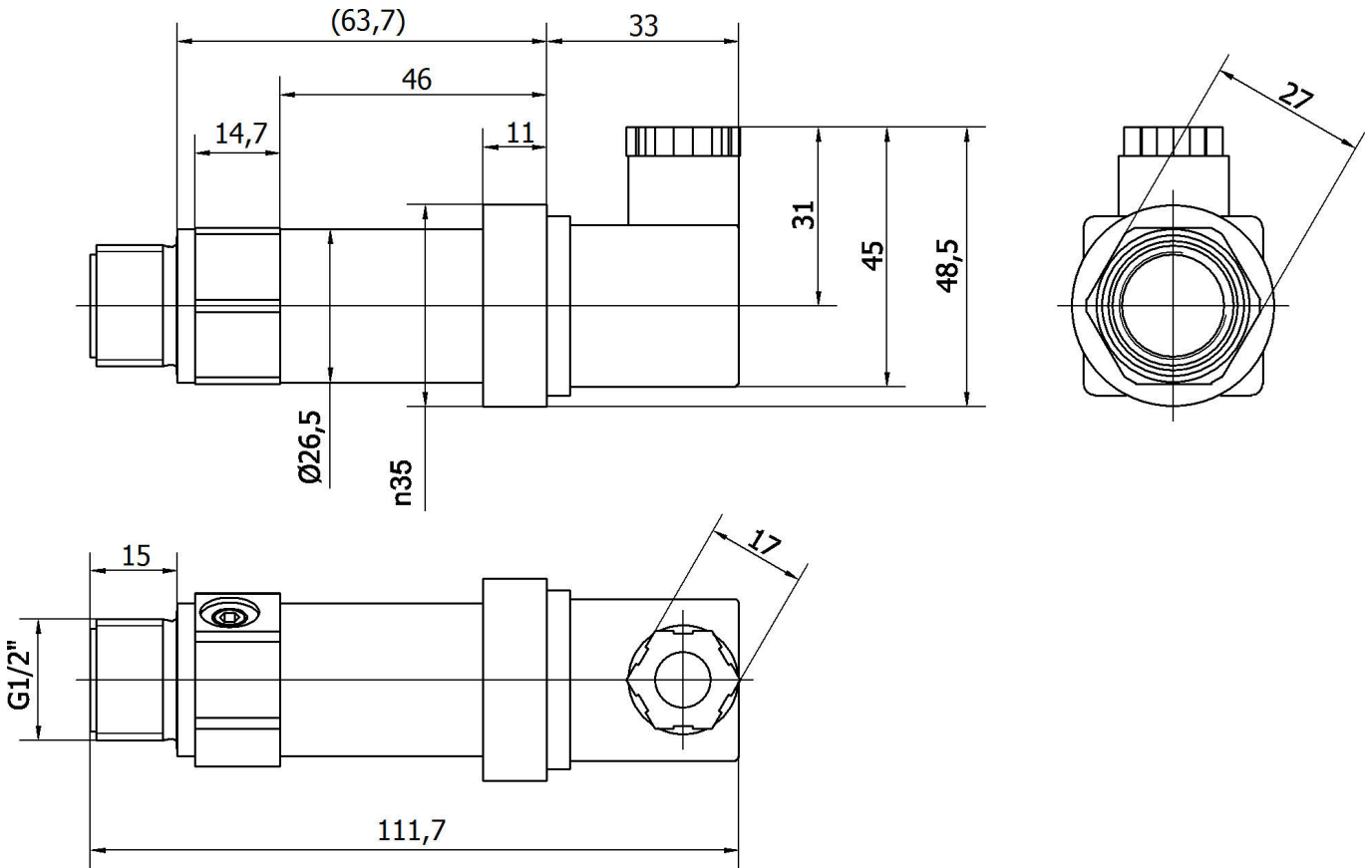
**More**

IPF Product Group	361 pressure sensors (diverse)
packaging dimensions	210 x 138 x 95 mm
gross weight	320 g
Customs tariff number	90262020
WEEE number	40951076
Reach-compliant	Yes
RoHS-compliant	Yes

**Connection**



**Dimensional drawing**



**Installation**

Mounting / installation may only be carried out by a qualified electrician!



**Disposal**

WEEE number according to § 6 para. 3  
ElektroG: 40951076

**Safety warnings**

- / Before initial operation, please make sure to follow all safety instructions that may be provided in the product information.
- / Never use these devices in applications where the safety of a person depends on their functionality.