

DW04430K

Pressure sensors • Pressure switch Inline

Pressure sensor, Ø16mm 40long, -1-10bar, 9-30V DC, hose OD 4mm, 1x PNP NO, M8 plug connector 4-pin, IP68, plastic PBT/PC, manual setting

/ Push In 4mm



InLine mounting Adjustable via potentiometer

The inline pressure sensors impress with their compact design and innovative push-in process connection for hose diameters of 4, 6 or 8 mm. This enables uncomplicated installation and quick integration into existing pneumatic systems.

The optionally available, addable holders (4 and 6mm -> AD000023 // 8mm -> AD000024) enable quick replacement by click mounting.

Advantages

- Switching point adjustment via potentiometer
- Simple installation with quick connection
- Robust design with degree of protection IP68
- Particularly lightweight (20g or 30g)

Electrical features

| | |
|-------------------------------|--|
| Initial setting | -1000 hPa |
| Number of switching outputs | 1 |
| Display | LED display |
| Type of switching function | Normally open contact (NO) |
| Type of electrical connection | Connector M8 |
| Type of switching output | PNP |
| Rated switching current | 100 mA |
| Setting procedure | Potentiometer (5 to 100%) |
| End setting | 10000 hPa |
| Relative hysteresis | 5 % |
| No-load current | 25 mA |
| Measuring range pressure | -1 - 10 bar |
| Measurement method | Relative |
| Number of pins | 4 |
| Relative repeat accuracy | 3 % |
| Operating voltage (DC) | 9 - 30 V |
| Suitable as limiter | Yes |
| Suitable as monitor | Yes |
| Output functions | Switching point |
| Electrical connection | M8 4-pin plug connector |
| Operating voltage | 9-30VDC |
| ardTEEL_Schutzfunktionen | Short circuit protection Reverse polarity protection |

Mechanical features

| | |
|--------------------------------|--------------------------|
| Type of process connection | Hose OD 4mm |
| Diameter | 16 mm |
| Storage temperature | -20 - 85 °C |
| Length | 40 mm |
| Max. operating pressure | 15 bar |
| Degree of protection (IP) | IP68 |
| Housing material | Plastic PBT and PC |
| Long-term drift per year | 0.1 % |
| Ambient temperature | -10 - 60 °C |
| dimensions | Ø16mm, 40mm long |
| Material of the measuring cell | Silicon (piezoresistive) |

Other features

| | |
|---------------------------|------------------------|
| Suitable for | Air Neutral gases |
| Reference medium / object | Air |
| ardTE00_Anwendungen | Pneumatic applications |

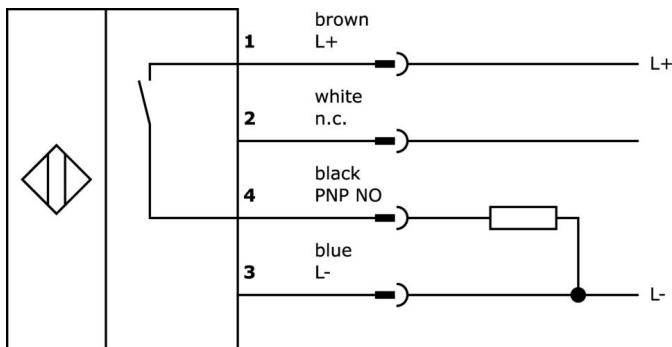
Classification

| | |
|--------|--|
| ETIM 8 | |
|--------|--|

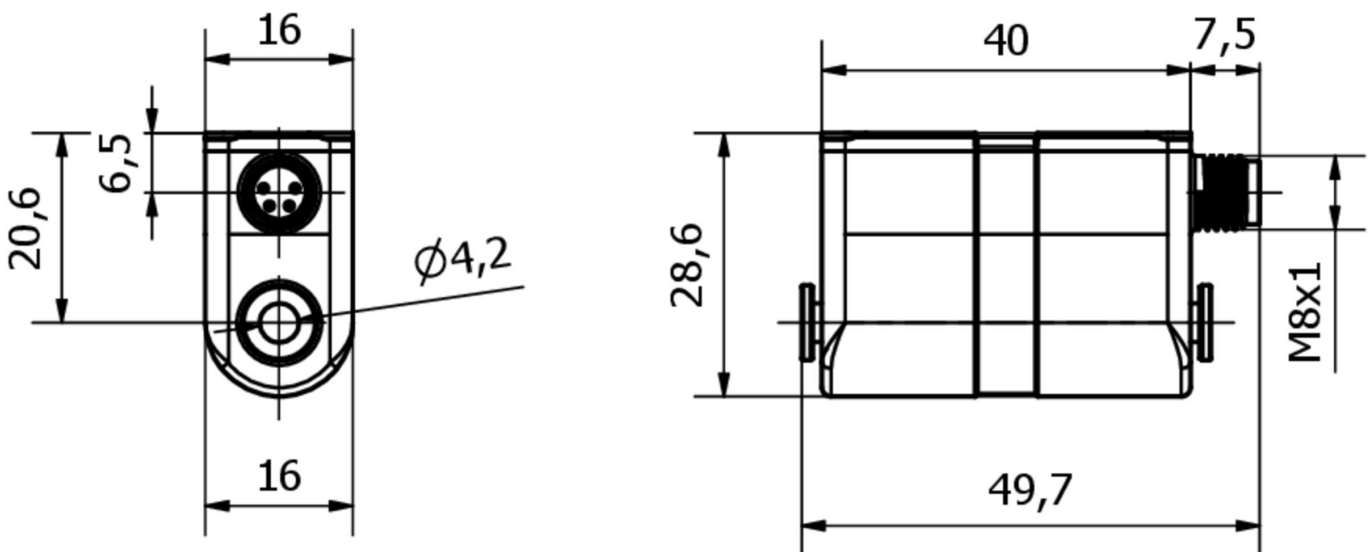
More

| | |
|-----------------------|--------------------------------|
| IPF Product Group | 361 pressure sensors (diverse) |
| packaging dimensions | 120 x 100 x 17 mm |
| gross weight | 25 g |
| Customs tariff number | 90262020 |
| WEEE number | 40951076 |
| Reach-compliant | Yes |
| RoHS-compliant | Yes |

Connection



Dimensional drawing



Extract accessories program

VK030F71



Connection cable, 0.3m, M8 socket 4-pin angular, M8 connector 4-pin straight, 4-core, PUR (polyurethane), suitable for trailing chain and torsion resistant, oils and cooling lubricants, welding area, silicone-free

VK030F75



Connection cable, 0.3m, M8 socket 4-pin straight, M8 connector 4-pin straight, 4-core, PUR (polyurethane), suitable for trailing chain and torsion-resistant, oils and cooling lubricants, welding area, silicone-free

VK030F81



Connection cable, 0.3m, M8 socket 4-pin angular, M12 connector 4-pin straight, 4x0.34mm², PUR (polyurethane), 60V, IP67, suitable for trailing chain and torsion resistant, oils and cooling lubricants, welding area, silicone-free

VK030F85



Connection cable, 0.3m, M8 socket 4-pin straight, M12 connector 4-pin straight, 4x0.34mm², PUR (polyurethane), 60V, IP67, suitable for trailing chain and torsion resistant, oils and cooling lubricants, welding area, silicone-free

VK000040



Adaption, M8 Female (socket) 4pin Straight, M12 Male (connector) 4pin Straight, 24V, -25-85°C, IP67, Oil and cooling lubricants, Welding area

VK003071



Cable socket, Angular, Suitable for self-assembly, Soldering connection, Ø3.5-5mm, 4A, 30V, -40-85°C, M8 Female (socket) 4pin, IP67, Brass

VK003075



Cable socket, Straight, Suitable for self-assembly, Soldering connection, Ø3.5-5mm, 4A, 30V, -40-85°C, M8 Female (socket) 4pin, IP67, Brass

VK200371



Connection cable, 2m, M8 socket 4-pin angular, free cable end, 4x0.34mm², PUR (polyurethane), Ø4.7mm, 30V, -30-90°C, IP67, suitable for trailing chain and torsion resistant, oils and cooling lubricants, welding area, silicone-free

VK200375



Connection cable, 2m, M8 socket 4-pin straight, free cable end, 4x0.34mm², PUR (polyurethane), Ø4.7mm, 30V, -30-90°C, IP67, suitable for trailing chain and torsion resistant, oils and cooling lubricants, welding area, silicone-free

You can find further accessories on our homepage



Installation

Mounting / installation may only be carried out by a qualified electrician!



Disposal

WEEE number according to § 6 para. 3 ElektroG: 40951076

Safety warnings

/ Before initial operation, please make sure to follow all safety instructions that may be provided in the product information.

/ Never use these devices in applications where the safety of a person depends on their functionality.