

DW06430D

Pressure sensors • Pressure switch Inline

Pressure sensor, Ø16mm 40long, 0-10bar, 9-30V DC, hose OD 6mm, 1x PNP NO, M8 plug connector 4-pin, IP68, plastic PBT/PC, manual setting

/ Adjustable via potentiometer



InLine mounting Push In 6mm

The inline pressure sensors impress with their compact design and innovative push-in process connection for hose diameters of 4, 6 or 8 mm. This enables uncomplicated installation and quick integration into existing pneumatic systems.

The optionally available, addable holders (4 and 6mm -> AD000023 // 8mm -> AD000024) enable quick replacement by click mounting.

Advantages

- Switching point adjustment via potentiometer
- Simple installation with quick connection
- Robust design with degree of protection IP68
- Particularly lightweight (20g or 30g)

Electrical features

Initial setting	0 hPa
Number of switching outputs	1
Display	LED display
Type of switching function	Normally open contact (NO)
Type of electrical connection	Connector M8
Type of switching output	PNP
Rated switching current	100 mA
Setting procedure	Potentiometer (5 to 100%)
End setting	10000 hPa
Relative hysteresis	5 %
No-load current	25 mA
Measuring range pressure	0 - 10 bar
Measurement method	Relative
Number of pins	4
Relative repeat accuracy	3 %
Operating voltage (DC)	9 - 30 V
Suitable as limiter	Yes
Suitable as monitor	Yes
Output functions	Switching point
Electrical connection	M8 4-pin plug connector
Operating voltage	9-30VDC
ardTEEL_Schutzfunktionen	Short circuit protection Reverse polarity protection

Mechanical features

Type of process connection	Hose OD 6mm
Diameter	16 mm
Storage temperature	-20 - 85 °C
Length	40 mm
Max. operating pressure	15 bar
Degree of protection (IP)	IP68
Housing material	Plastic PBT and PC
Long-term drift per year	0.1 %
Ambient temperature	-10 - 60 °C
dimensions	Ø16mm, 40mm long
Material of the measuring cell	Silicon (piezoresistive)

Other features

Suitable for	Air Neutral gases
Reference medium / object	Air
ardTE00_Anwendungen	Pneumatic applications

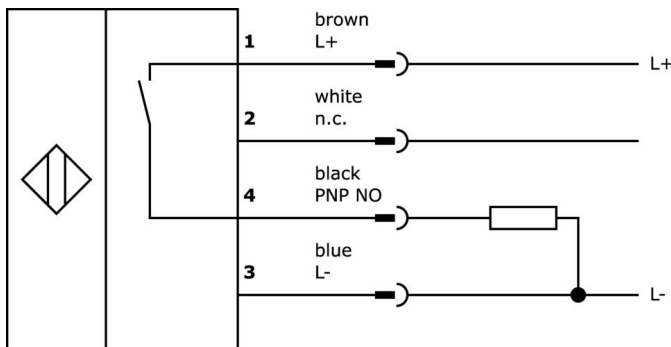
Classification

ETIM 8	
--------	--

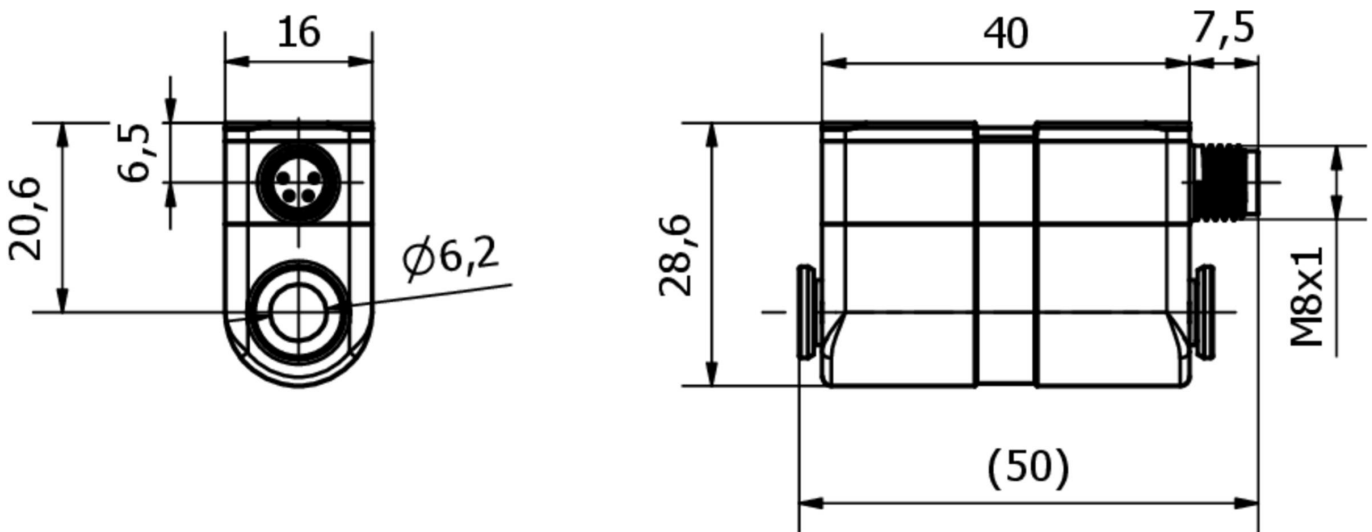
More

IPF Product Group	361 pressure sensors (diverse)
packaging dimensions	120 x 100 x 17 mm
gross weight	25 g
Customs tariff number	90262020
WEEE number	40951076
Reach-compliant	Yes
RoHS-compliant	Yes

Connection



Dimensional drawing



Extract accessories program

VK030F71



Connection cable, 0.3m, M8 socket 4-pin angular, M8 connector 4-pin straight, 4-core, PUR (polyurethane), suitable for trailing chain and torsion resistant, oils and cooling lubricants, welding area, silicone-free

VK030F75



Connection cable, 0.3m, M8 socket 4-pin straight, M8 connector 4-pin straight, 4-core, PUR (polyurethane), suitable for trailing chain and torsion-resistant, oils and cooling lubricants, welding area, silicone-free

VK030F81



Connection cable, 0.3m, M8 socket 4-pin angular, M12 connector 4-pin straight, 4x0.34mm², PUR (polyurethane), 60V, IP67, suitable for trailing chain and torsion resistant, oils and cooling lubricants, welding area, silicone-free

VK030F85



Connection cable, 0.3m, M8 socket 4-pin straight, M12 connector 4-pin straight, 4x0.34mm², PUR (polyurethane), 60V, IP67, suitable for trailing chain and torsion resistant, oils and cooling lubricants, welding area, silicone-free

VK000040



Adaption, M8 Female (socket) 4pin Straight, M12 Male (connector) 4pin Straight, 24V, -25-85°C, IP67, Oil and cooling lubricants, Welding area

VK003071



Cable socket, Angular, Suitable for self-assembly, Soldering connection, Ø3.5-5mm, 4A, 30V, -40-85°C, M8 Female (socket) 4pin, IP67, Brass

VK003075



Cable socket, Straight, Suitable for self-assembly, Soldering connection, Ø3.5-5mm, 4A, 30V, -40-85°C, M8 Female (socket) 4pin, IP67, Brass

VK200371



Connection cable, 2m, M8 socket 4-pin angular, free cable end, 4x0.34mm², PUR (polyurethane), Ø4.7mm, 30V, -30-90°C, IP67, suitable for trailing chain and torsion resistant, oils and cooling lubricants, welding area, silicone-free

VK200375



Connection cable, 2m, M8 socket 4-pin straight, free cable end, 4x0.34mm², PUR (polyurethane), Ø4.7mm, 30V, -30-90°C, IP67, suitable for trailing chain and torsion resistant, oils and cooling lubricants, welding area, silicone-free

You can find further accessories on our homepage



Installation

Mounting / installation may only be carried out by a qualified electrician!



Disposal

WEEE number according to § 6 para. 3 ElektroG: 40951076

Safety warnings

/ Before initial operation, please make sure to follow all safety instructions that may be provided in the product information.

/ Never use these devices in applications where the safety of a person depends on their functionality.