

DW08460J

Pressure sensors • Pressure switch Inline

Pressure sensor, Ø16mm 40long, -1-1bar, 9-30V DC, hose OD 8mm, 2x PNP NO/NC, M8 plug connector 4-pin, IP68, plastic PBT/PC, IO-Link

/ Parameterization via IO-Link



InLine mounting Push in 8mm

The inline pressure sensors impress with their compact design and innovative push-in process connection for hose diameters of 4, 6 or 8 mm. This enables uncomplicated installation and quick integration into existing pneumatic systems.

The optionally available, addable holders (4 and 6mm -> AD000023 // 8mm -> AD000024) enable quick replacement by click mounting.

Advantages

- Two switching outputs (configuration via IO-Link)
- Easy installation with quick connection
- Robust design with degree of protection IP68
- Particularly lightweight (20g or 30g)

Electrical features

Initial setting	-1000 hPa
Number of switching outputs	2
Display	LED display
Type of switching function	Normally closed contact/normally open contact
Type of electrical connection	Connector M8
Type of switching output	PNP
Rated switching current	250 mA
Setting procedure	Parameterization via IO-Link
End setting	1000 hPa
No-load current	25 mA
Measuring range pressure	-1 - 1 bar
Measurement method	Relative
Number of pins	4
Relative linearity deviation	0.5 %
Relative repeat accuracy	0.2 %
Voltage drop	1.5 V
Temperature drift over entire measuring range	1.5 %
Supported communication interface	IO-Link
Operating voltage (DC)	9 - 30 V
Suitable as limiter	Yes
Suitable as monitor	Yes
Output functions	Window function Switching point Hysteresis
Electrical connection	M8 4-pin plug connector
Operating voltage	9-30VDC
ardTEEL_Schutzfunktionen	Short circuit protection Reverse polarity protection

Mechanical features

Type of process connection	Hose AD 8mm
Diameter	16 mm
Storage temperature	-20 - 85 °C
Length	40 mm
Max. operating pressure	2 bar
Degree of protection (IP)	IP68
Housing material	Plastic PBT and PC
Long-term drift per year	0.1 %
Ambient temperature	-10 - 60 °C
dimensions	Ø16mm, 40mm long
Material of the measuring cell	Silicon (piezoresistive)

Other features

Suitable for	Air Neutral gases
Reference medium / object	Air
ardTE00_Anwendungen	Pneumatic applications

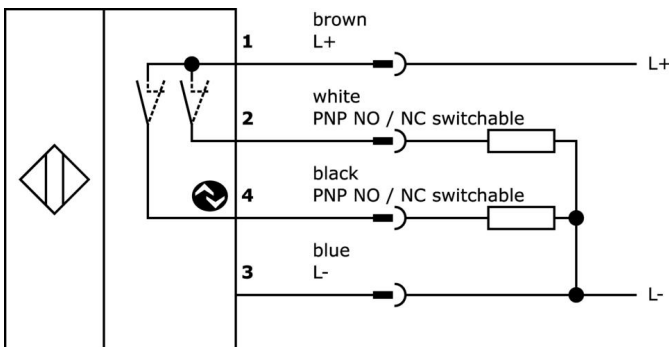
Classification

ETIM 8

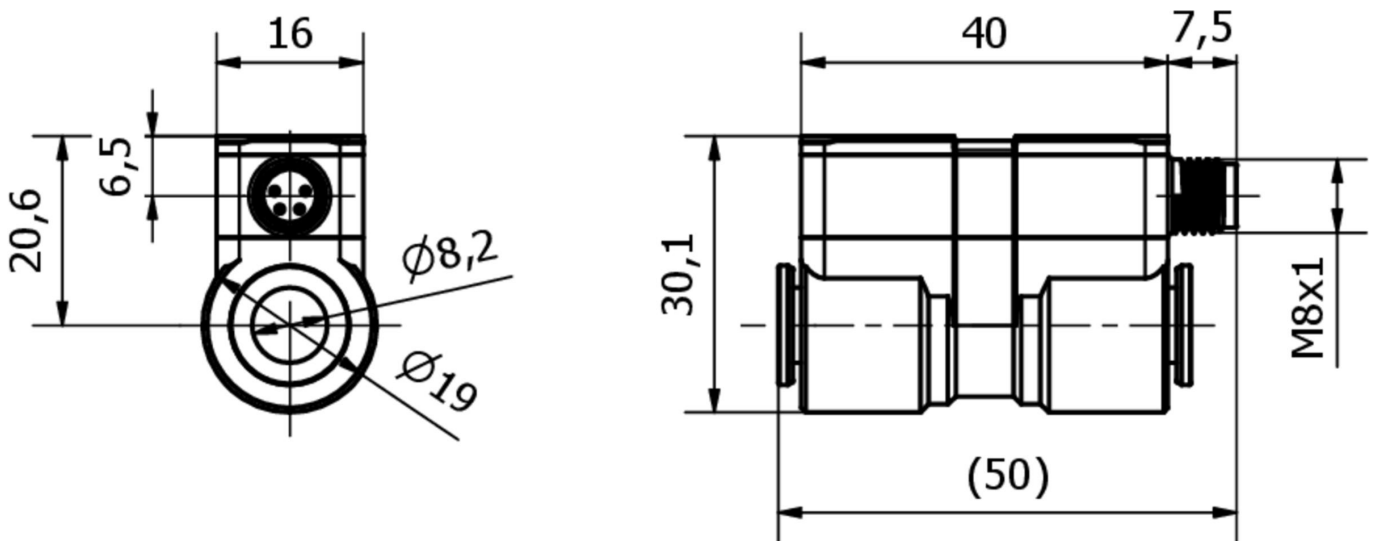
More

IPF Product Group	361 pressure sensors (diverse)
packaging dimensions	120 x 100 x 17 mm
gross weight	27 g
Customs tariff number	90262020
WEEE number	40951076
Reach-compliant	Yes
RoHS-compliant	Yes

Connection



Dimensional drawing



Extract accessories program

VK030F71



Connection cable, 0.3m, M8 socket 4-pin angular, M8 connector 4-pin straight, 4-core, PUR (polyurethane), suitable for trailing chain and torsion resistant, oils and cooling lubricants, welding area, silicone-free

VK030F75



Connection cable, 0.3m, M8 socket 4-pin straight, M8 connector 4-pin straight, 4-core, PUR (polyurethane), suitable for trailing chain and torsion-resistant, oils and cooling lubricants, welding area, silicone-free

VK030F81



Connection cable, 0.3m, M8 socket 4-pin angular, M12 connector 4-pin straight, 4x0.34mm², PUR (polyurethane), 60V, IP67, suitable for trailing chain and torsion resistant, oils and cooling lubricants, welding area, silicone-free

VK030F85



Connection cable, 0.3m, M8 socket 4-pin straight, M12 connector 4-pin straight, 4x0.34mm², PUR (polyurethane), 60V, IP67, suitable for trailing chain and torsion resistant, oils and cooling lubricants, welding area, silicone-free

VK000040



Adaption, M8 Female (socket) 4pin Straight, M12 Male (connector) 4pin Straight, 24V, -25-85°C, IP67, Oil and cooling lubricants, Welding area

VK003071



Cable socket, Angular, Suitable for self-assembly, Soldering connection, Ø3.5-5mm, 4A, 30V, -40-85°C, M8 Female (socket) 4pin, IP67, Brass

VK003075



Cable socket, Straight, Suitable for self-assembly, Soldering connection, Ø3.5-5mm, 4A, 30V, -40-85°C, M8 Female (socket) 4pin, IP67, Brass

VK200371



Connection cable, 2m, M8 socket 4-pin angular, free cable end, 4x0.34mm², PUR (polyurethane), Ø4.7mm, 30V, -30-90°C, IP67, suitable for trailing chain and torsion resistant, oils and cooling lubricants, welding area, silicone-free

VK200375



Connection cable, 2m, M8 socket 4-pin straight, free cable end, 4x0.34mm², PUR (polyurethane), Ø4.7mm, 30V, -30-90°C, IP67, suitable for trailing chain and torsion resistant, oils and cooling lubricants, welding area, silicone-free

You can find further accessories on our homepage



Installation

Mounting / installation may only be carried out by a qualified electrician!



Disposal

WEEE number according to § 6 para. 3 ElektroG: 40951076

Safety warnings

/ Before initial operation, please make sure to follow all safety instructions that may be provided in the product information.

/ Never use these devices in applications where the safety of a person depends on their functionality.

/ Any software, drivers or IODD files that may be required to operate your device can be downloaded free of charge from our homepage: www.ipf-electronic.com