

DW164600

Pressure sensors • Pressure switch - DW16

Pressure sensor, Ø16mm 79lang, -1-0bar, 10-30V DC, G1/8" A / M5 inside, 2x PNP NC/ NO, IO-Link, M8 plug connector 4-pin, IP65, plastic ABS, With display



Parameterization via IO-Link LCD display

The vacuum and pressure sensors in the DW16 series with integrated display, 2 switching outputs and G1/8" process connection can be parameterized for specific applications via IO-Link or directly on the sensor (e.g. normally closed/ normally open, switching point, turn-off delay, pressure window, hysteresis settings).

They also provide valuable data during use via IO-Link (e.g. damping, switching frequency, etc.). With a response time of <2.5 ms, the compact devices are suitable for use in all conceivable handling and automation systems in which filtered, dry or lubricated compressed air is used, such as pressure monitoring, for vacuum control in vacuum traverses, for controlling compressors and much more.

Advantages

- Flexible parameterization via IO-Link interface
- Integrated display with menu-guided configuration
- Robust design (for pressure peaks up to max. 5bar or max. 16bar)
- Two configurable switching outputs
- Compact design (Ø16mm)

Electrical features

Initial setting	-1000 hPa
Response/decay time	2.5 ms
Number of switching outputs	2
Display	LCD display LED display
Type of switching function	Normally closed contact/normally open contact
Type of electrical connection	Connector M8
Type of switching output	PNP
Turn-off delay	0 - 999 s
Rated switching current	200 mA
Readiness delay	5000 ms
Turn-on delay	0 - 99,9 s
Setting procedure	Parameterization
End setting	0 hPa
No-load current	15 mA
Measuring range pressure	-1 - 0 bar
Measurement method	Relative
Number of pins	4
Relative linearity deviation	0.5 %
Relative repeat accuracy	0.2 %
Residual ripple	10 %
Switching frequency	200 Hz
Voltage drop	2 V
Temperature drift over entire measuring range	1.5 %
Supported communication interface	IO-Link
Operating voltage (DC)	10 - 30 V
Suitable as limiter	Yes
Suitable as monitor	Yes
Output functions	Window function Switching point Hysteresis
Electrical connection	M8 4-pin plug connector
Operating voltage	10-30VDC
ardTEEL_Schutzfunktionen	Short circuit protection Reverse polarity protection

Mechanical features

Type of process connection	G1/8 inch A / M5 inner
Design	Cylinder plain
Diameter	16 mm
Thread length	7 mm
Thread pitch	0.91 mm
Length	79 mm
Maximum tightening torque	2.5 Nm
Max. operating pressure	5 bar
Nominal pressure	-1 bar
Wrench size	16 mm
Degree of protection (IP)	IP65
Housing material	Plastic (ABS)
Long-term drift per year	0.1 %
Ambient temperature	-25 - 85 °C
dimensions	Ø16mm, 79mm long
Material of the process connection	Nickel-plated (n-pltd) brass
Material of the measuring cell	Silicon (piezoresistive)

Other features

Range of functions	Einstellbare Einheit Spitzenwertspeicher
Suitable for	Air Neutral gases
Measuring display	Relative
IO-Link version	V1.1
Reference medium / object	Air
ardTE00_Anwendungen	Pneumatic applications Zweipunktreglung

Classification

ETIM 8

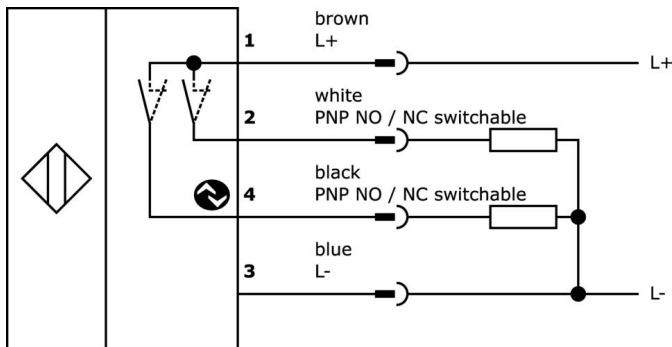
More

IPF Product Group	360 pressure sensors
packaging dimensions	105 x 43 x 43 mm
gross weight	47 g
Customs tariff number	90262020
WEEE number	40951076
Reach-compliant	Yes
RoHS-compliant	Yes
MTTFd	318 year(s)

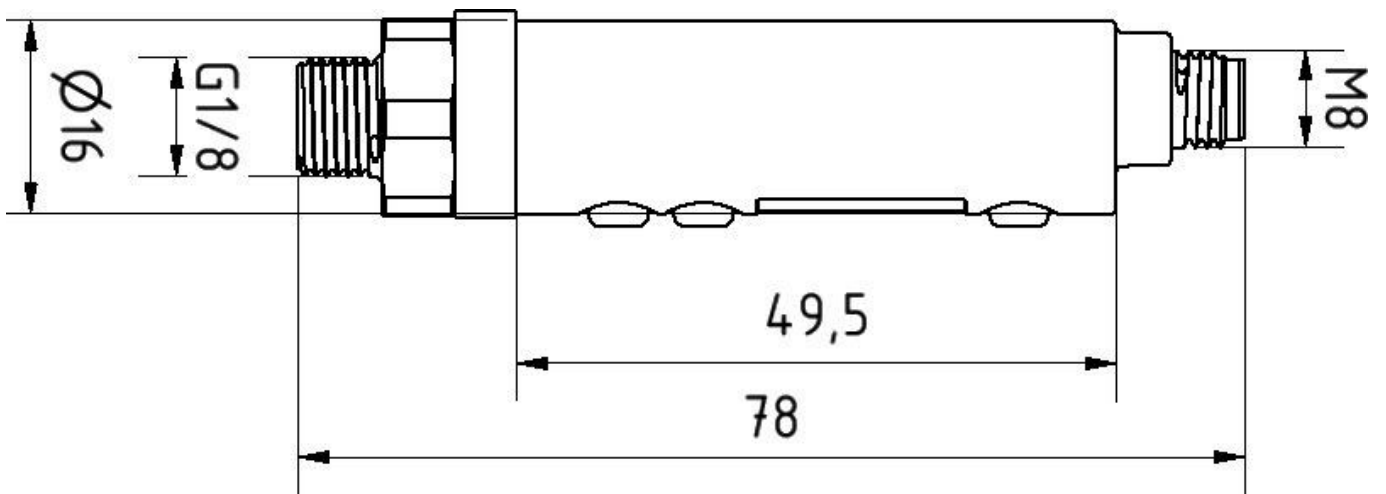
Important notes

- / Installation position Any (connection to pressure system with fan facing downwards)

Connection



Dimensional drawing



Extract accessories program

VK200371



Connection cable, 2m, M8 socket
4-pin angular, free cable end, 4x0.34mm², PUR (polyurethane), Ø4.7mm, 30V, -30-90°C, IP67, suitable for trailing chain and torsion resistant, oils and cooling lubricants, welding area, silicone-free

VK200375



Connection cable, 2m, M8 socket
4-pin straight, free cable end, 4x0.34mm², PUR (polyurethane), Ø4.7mm, 30V, -30-90°C, IP67, suitable for trailing chain and torsion resistant, oils and cooling lubricants, welding area, silicone-free

VK003171



Cable socket, Angular, Suitable for self-assembly, Screw connection, Ø5mm, 4A, 60V, -40-85°C, M8 Female (socket) 4pin, IP67, Polyamide PA

VK003175



Cable socket, Straight, Suitable for self-assembly, Screw connection, Ø3.5-5mm, 4A, 30V, -40-85°C, M8 Female (socket) 4pin, IP67, Brass

AD000014



accessories pressure, Quick clip, 30x22x16mm, Holder, Plastic, 90°

AD000015



accessories pressure, Mounting bracket with adapter flange, 44x16x31mm, Adaption, mounting material and bracket, External thread 1/8" - 4mm, Steel, 90°

AD000016



accessories pressure, Mounting bracket with adapter flange, 44x16x31mm, Adaption, mounting material and bracket, External thread 1/8" - 6mm, Steel, 90°

AD000021



Pressure accessories, profile seal G1/8", Ø11.9mm 1.0 high, fluorocarbon rubber FKM, green

AD000022



Pressure accessories, adapter, G1/8, 15 long, nickel-plated (n-pltd) brass

You can find further accessories on our homepage



Installation

Mounting / installation may only be carried out by a qualified electrician!



Disposal

WEEE number according to § 6 para. 3 ElektroG: 40951076

Safety warnings

/ Before initial operation, please make sure to follow all safety instructions that may be provided in the product information.

/ Never use these devices in applications where the safety of a person depends on their functionality.

/ Any software, drivers or IODD files that may be required to operate your device can be downloaded free of charge from our homepage: www.ipf-electronic.com