

DW25310N

Pressure sensors • Pressure monitor

Pressure sensor, Ø26mm 57long, -0.1-0.1bar, 18-30V DC, G1/4" A, -40-100°C, 2x PNP/
NPN NC/NO, 0/4-20mA, IO-Link, M12 plug connector 4-pin, IP67, V4A



The DW25 series pressure sensors (G1/4" process connection) have two outputs, a pure switching output and an output that can be flexibly parameterized via IO-Link as a switching output, analogue output (0...20mA, 4...20mA) or alarm output. The flexibly adjustable sensors are therefore suitable for all conceivable applications with gaseous and liquid media. The special features include a wide media temperature range from -40 °C to +100 °C, simple switchover normally open/normally closed, setting of switch and release position, hysteresis settings, window function, definition of a turn-off delay, setting of damping and an integrated peak value memory.

Advantages

- Highly flexible parameterization via IO-Link
- variable output functions: 2 switching outputs or 1 switching output and 1 analog output (0...20mA, 4...20mA)
- Suitable e.g. as a 2-point controller, limiter and monitor in level monitoring systems
- Media temperature range (-40 °C...+100 °C)

Electrical features

Response/decay time	8 ms
Number of switching outputs	2
Type of switching function	Normally closed contact/normally open contact
Type of analog output	0 - 20mA 4 - 20mA
Type of electrical connection	Connector M12
Type of switching output	Push-pull
Rated switching current	200 mA
Setting procedure	Parameterization via IO-Link
Relative hysteresis	1 %
No-load current	20 mA
Measuring range pressure	-0,1 - 0,1 bar
Measurement method	Relative
Number of pins	4
Relative linearity deviation	0.01 %
Residual ripple	6 %
Temperature drift over entire measuring range	0.015 %
Decay time	5 ms
Supported communication interface	IO-Link
Operating voltage (DC)	18 - 30 V
Suitable as limiter	Yes
Suitable as monitor	Yes
Output functions	Window function Switching point Hysteresis
Number of analog output channels	1
Electrical connection	M12 4-pin plug connector
Operating voltage	18-30VDC
ardTEEL_Lebensdauer	100 Millionen Lastwechsel
ardTEEL_Schutzfunktionen	Short circuit protection Reverse polarity protection

Mechanical features

Type of process connection	G1/4 inch A
Design	Cylinder plain
Bursting pressure	5 bar
Diameter	26 mm
Thread length	12 mm
Thread pitch	1.34 mm
Length	57 mm
Maximum tightening torque	50 Nm
Max. operating pressure	5 bar
Medium temperature	-40 - 100 °C
Wrench size	27 mm
Degree of protection (IP)	IP67
Housing material	Stainless steel 1.4404
Seal material at process connection	Plastic (FPM)
Long-term drift per year	0.15 %
Ambient temperature	-40 - 100 °C
dimensions	Ø26mm, 57mm long
Material of the process connection	Stainless steel 1.4435
Material of the measuring cell	Ceramic

Other features

Range of functions	Spitzenwertspeicher
Suitable for	Fluid group 2
IO-Link version	V1.1
Relative measurement accuracy	0.2 %
ardTE00_Anwendungen	Hydraulic applications Pneumatic applications Zweipunktreglung

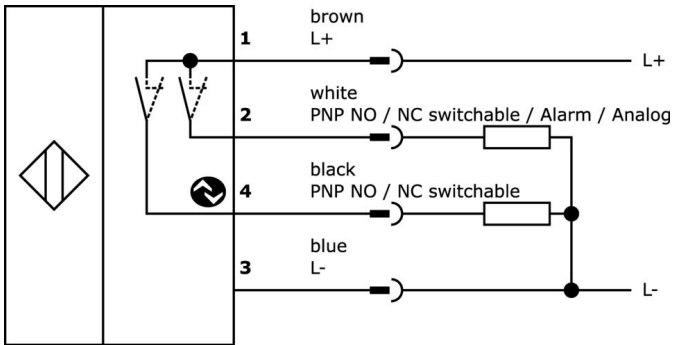
Classification

ETIM 8

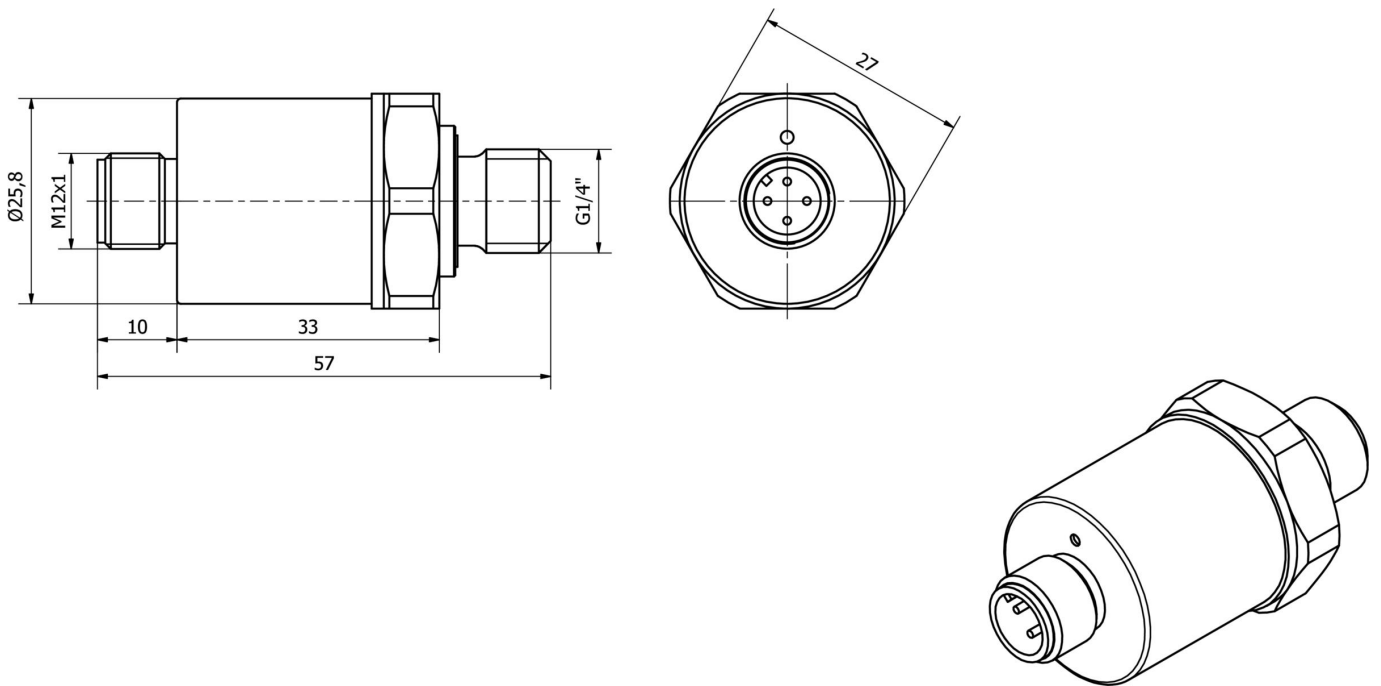
More

IPF Product Group	361 pressure sensors (diverse)
packaging dimensions	170 x 120 x 70 mm
gross weight	162 g
Customs tariff number	90262020
WEEE number	40951076
Reach-compliant	Yes
RoHS-compliant	Yes
MTTF value	463 year(s)

Connection



Dimensional drawing



Extract accessories program

VY000005



IO-Link master, 41x24x67mm, IO-Link, M12, With USB interface

VK205321



Connection cable, 2m, M12 socket 4-pin angular, free cable end, 4x0.34mm², PUR (polyurethane), Ø5.5mm, 250V, -25-90°C, IP67, shielded, suitable for trailing chain and torsion resistant, oils and cooling lubricants, welding area, silicone-free

VK205325



Connection cable, 2m, M12 socket 4-pin straight, free cable end, 4x0.34mm², PUR (polyurethane), Ø5.5mm, 250V, -25-90°C, IP67, shielded, suitable for trailing chain and torsion resistant, oils and cooling lubricants, welding area, silicone-free

VK200321



Connection cable, 2m, M12 socket 4-pin angular, free cable end, 4x0.34mm², PUR (polyurethane), Ø4.7mm, 250V, -40-90°C, IP67, suitable for trailing chain and torsion resistant, oils and cooling lubricants, welding area, silicone-free

VK200325



Connection cable, 2m, M12 socket 4-pin straight, free cable end, 4x0.34mm², PUR (polyurethane), Ø4.7mm, 250V, -40-90°C, IP67, suitable for trailing chain and torsion resistant, oils and cooling lubricants, welding area, silicone-free

You can find further accessories on our homepage



Installation

Mounting / installation may only be carried out by a qualified electrician!



Disposal

WEEE number according to § 6 para. 3 ElektroG: 40951076

Safety warnings

/ Before initial operation, please make sure to follow all safety instructions that may be provided in the product information.

/ Never use these devices in applications where the safety of a person depends on their functionality.

/ Any software, drivers or IODD files that may be required to operate your device can be downloaded free of charge from our homepage: www.ipf-electronic.com