

DW25310P

Pressure sensors • Pressure monitor

Pressure sensor, Ø26mm 57long, 0-0.25bar, 18-30V DC, G1/4 "A, -40-100°C, 2x PNP/
NPN NC/NO, 0/4-20mA, IO-Link, M12 plug connector 4-pin, IP67, V4A



The DW25 series pressure sensors (G1/4" process connection) have two outputs, a pure switching output and an output that can be flexibly parameterized via IO-Link as a switching output, analogue output (0...20mA, 4...20mA) or alarm output. The flexibly adjustable sensors are therefore suitable for all conceivable applications with gaseous and liquid media. The special features include a wide media temperature range from -40 °C to +100 °C, simple switchover normally open/normally closed, setting of switch and release position, hysteresis settings, window function, definition of a turn-off delay, setting of damping and an integrated peak value memory.

Advantages

- Highly flexible parameterization via IO-Link
- variable output functions: 2 switching outputs or 1 switching output and 1 analog output (0...20mA, 4...20mA)
- Suitable e.g. as a 2-point controller, limiter and monitor in level monitoring systems
- Media temperature range (-40 °C...+100 °C)

Electrical features

Response/decay time	5 ms
Number of switching outputs	2
Type of switching function	Normally closed contact/normally open contact
Type of analog output	0 - 20mA 4 - 20mA
Type of electrical connection	Connector M12
Type of switching output	Push-pull
Rated switching current	200 mA
Setting procedure	Parameterization via IO-Link
Relative hysteresis	1 %
No-load current	20 mA
Measuring range pressure	0 - 0,25 bar
Measurement method	Relative
Number of pins	4
Relative linearity deviation	0.4 %
Residual ripple	6 %
Temperature drift over entire measuring range	0.05 %
Decay time	2 ms
Supported communication interface	IO-Link
Operating voltage (DC)	18 - 30 V
Suitable as limiter	Yes
Suitable as monitor	Yes
Output functions	Window function Switching point Hysteresis
Number of analog output channels	1
Electrical connection	M12 4-pin plug connector
Operating voltage	18-30VDC
ardTEEL_Lebensdauer	10 Millionen Lastwechsel
ardTEEL_Schutzfunktionen	Short circuit protection Reverse polarity protection

Mechanical features

Type of process connection	G1/4 inch A
Design	Cylinder plain
Bursting pressure	2.5 bar
Diameter	26 mm
Thread length	12 mm
Thread pitch	1.34 mm
Length	57 mm
Maximum tightening torque	50 Nm
Max. operating pressure	0.75 bar
Medium temperature	-40 - 100 °C
Wrench size	27 mm
Degree of protection (IP)	IP67
Housing material	Stainless steel 1.4404
Seal material at process connection	Plastic (FPM)
Long-term drift per year	0.15 %
Ambient temperature	-40 - 100 °C
dimensions	Ø26mm, 57mm long
Material of the process connection	Stainless steel 1.4435
Material of the measuring cell	Ceramic

Other features

Range of functions	Spitzenwertspeicher
Suitable for	Fluid group 2
IO-Link version	V1.1
Relative measurement accuracy	0.5 %
ardTE00_Anwendungen	Hydraulic applications Pneumatic applications Zweipunktreglung

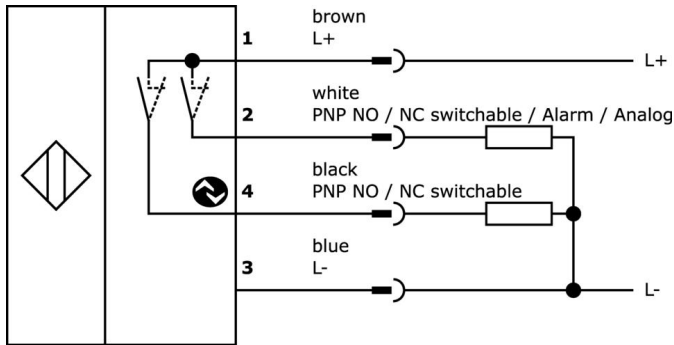
Classification

ETIM 8

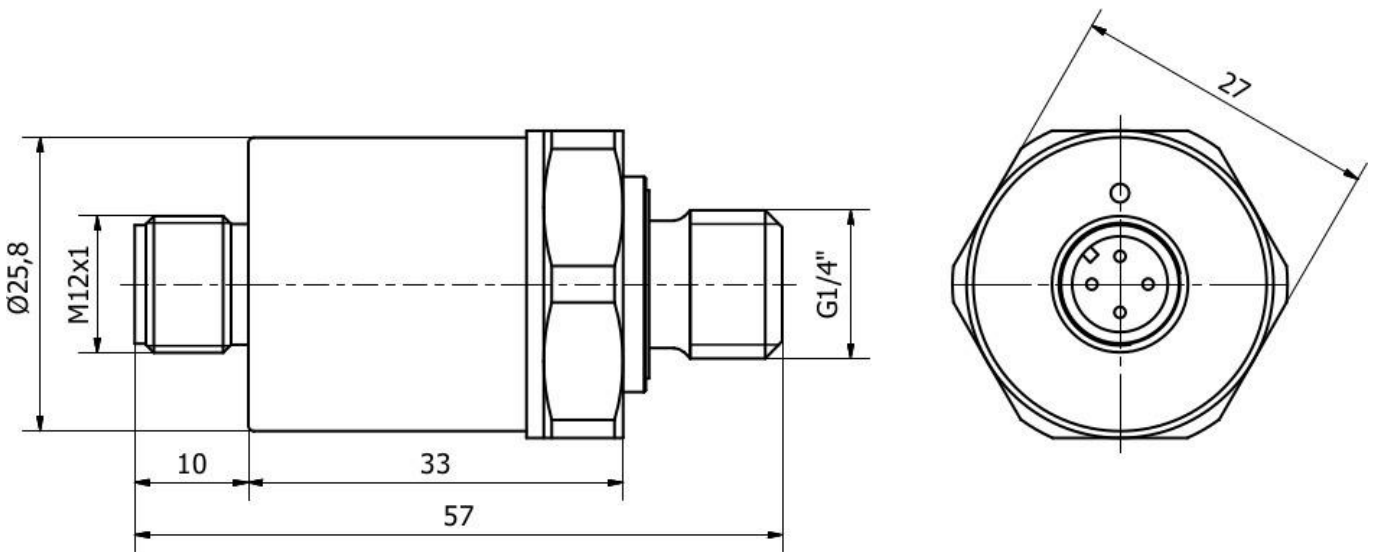
More

IPF Product Group	361 pressure sensors (diverse)
packaging dimensions	170 x 120 x 70 mm
gross weight	162 g
Customs tariff number	90262020
WEEE number	40951076
Reach-compliant	Yes
RoHS-compliant	Yes
MTTF value	463 year(s)

Connection



Dimensional drawing



Extract accessories program

VK200321



Connection cable, 2m, M12 socket
4-pin angular, free cable end, 4x0.
34mm², PUR (polyurethane), Ø4.
7mm, 250V, -40-90°C, IP67,
suitable for trailing chain and
torsion resistant, oils and cooling
lubricants, welding area, silicone-
free

VK200325



Connection cable, 2m, M12 socket
4-pin straight, free cable end, 4x0.
34mm², PUR (polyurethane), Ø4.
7mm, 250V, -40-90°C, IP67,
suitable for trailing chain and
torsion resistant, oils and cooling
lubricants, welding area, silicone-
free

VK205321



Connection cable, 2m, M12 socket
4-pin angular, free cable end, 4x0.
34mm², PUR (polyurethane), Ø5.
5mm, 250V, -25-90°C, IP67,
shielded, suitable for trailing chain
and torsion resistant, oils and
cooling lubricants, welding area,
silicone-free

VK205325



Connection cable, 2m, M12 socket
4-pin straight, free cable end, 4x0.
34mm², PUR (polyurethane), Ø5.
5mm, 250V, -25-90°C, IP67,
shielded, suitable for trailing chain
and torsion resistant, oils and
cooling lubricants, welding area,
silicone-free

VY000005



IO-Link master, 41x24x67mm, IO-
Link, M12, With USB interface

You can find further accessories on our homepage

**Installation**

Mounting / installation may only be carried out by a qualified electrician!

**Disposal**

WEEE number according to § 6 para. 3
ElektroG: 40951076

Safety warnings

- / Before initial operation, please make sure to follow all safety instructions that may be provided in the product information.
- / Never use these devices in applications where the safety of a person depends on their functionality.
- / Any software, drivers or IOOD files that may be required to operate your device can be downloaded free of charge from our homepage: www.ipf-electronic.com