

## DW34311D

### Pressure sensors • Pressure monitor

Pressure sensor, Ø38mm 122lang, 0-10bar, 12-32V DC, G1/2 "A, 2x PNP NC/NO, 0-10V / 0/4-20mA, M12 plug connector 4-pin, IP65, PA 6.6 (plastic), With display, front-flush diaphragm



Pressure sensors are suitable for measuring various media with high accuracy. They are available with switching output and/or analog output. Depending on the device type, the measured values can be recorded using PC software. These sensors are used in all areas e.g. pneumatic and hydraulic applications.

**Electrical features**

Initial setting	0 - 2000 hPa
Response/decay time	5 ms
Number of switching outputs	2
Display	LED display
Type of switching function	Normally closed contact/normally open contact
Type of alarm output	PNP
Type of analog output	0 - 10V   0 - 20mA   4 - 20mA
Type of electrical connection	Connector M12
Type of switching output	PNP
Turn-off delay	0 - 20 s
Rated switching current	250 mA
Readiness delay	2000 ms
Turn-on delay	0 - 20 s
Setting procedure	Application software   Parameterization
End setting	8000 - 10000 hPa
Relative hysteresis	1 %
No-load current	60 mA
Measuring range pressure	0 - 10 bar
Measurement method	Absolute
Number of pins	4
Relative linearity deviation	0.25 %
Relative repeat accuracy	0.1 %
Switching frequency	125 Hz
Voltage drop	2 V
Temperature drift over entire measuring range	0.2 %
Damping (analog output)	20 s
Damping (displayed value)	20 s
Decay time	5 ms
Operating voltage (DC)	12 - 32 V
Suitable as limiter	Yes
Suitable as monitor	Yes
Output functions	Window function   Switching point   Hysteresis
ardSOCA_ElektrischerAnschluss	M12 4-pin plug connector
ardSOCA_Betriebsspannung	12-32VDC
ardTEEL_Schutzfunktionen	Reverse polarity protection   Short circuit protection

**Mechanical features**

Type of process connection	G1/2 inch A
Design	Cylinder plain
Bursting pressure	600 bar
Diameter	38 mm
Thread length	12 mm
Thread pitch	1.81 mm
Length	122 mm
Max. operating pressure	15 bar
Medium temperature	-20 - 80 °C
Nominal pressure	10 bar
Degree of protection (IP)	IP65
Housing material	PA 6.6 (synthetic)
Sensing element material	Stainless steel 1.4435
Front-flush membrane	Yes
Ambient temperature	-20 - 80 °C
ardSOCA_Abmessungen	Ø38mm, 122mm long
ardTEME_WerkstoffDesProzessanschlusses	Stainless steel 1.4435
ardTEME_WerkstoffDerMesszelle	Stainless steel 1.4435

**Other features**

Range of functions	Spitzenwertspeicher
Suitable for	Flüssige Medien Pastöse Medien
Measuring display	Relative
ardTE00_Anwendungen	Hydraulic applications   Pneumatic applications   Zweipunktreglung

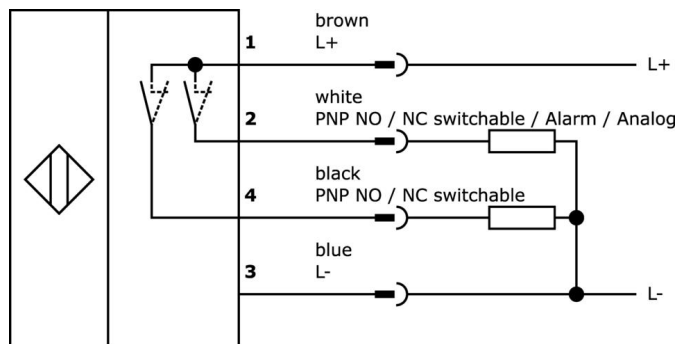
**Classification**

ETIM 8	EC000243 Pressure switch
--------	--------------------------

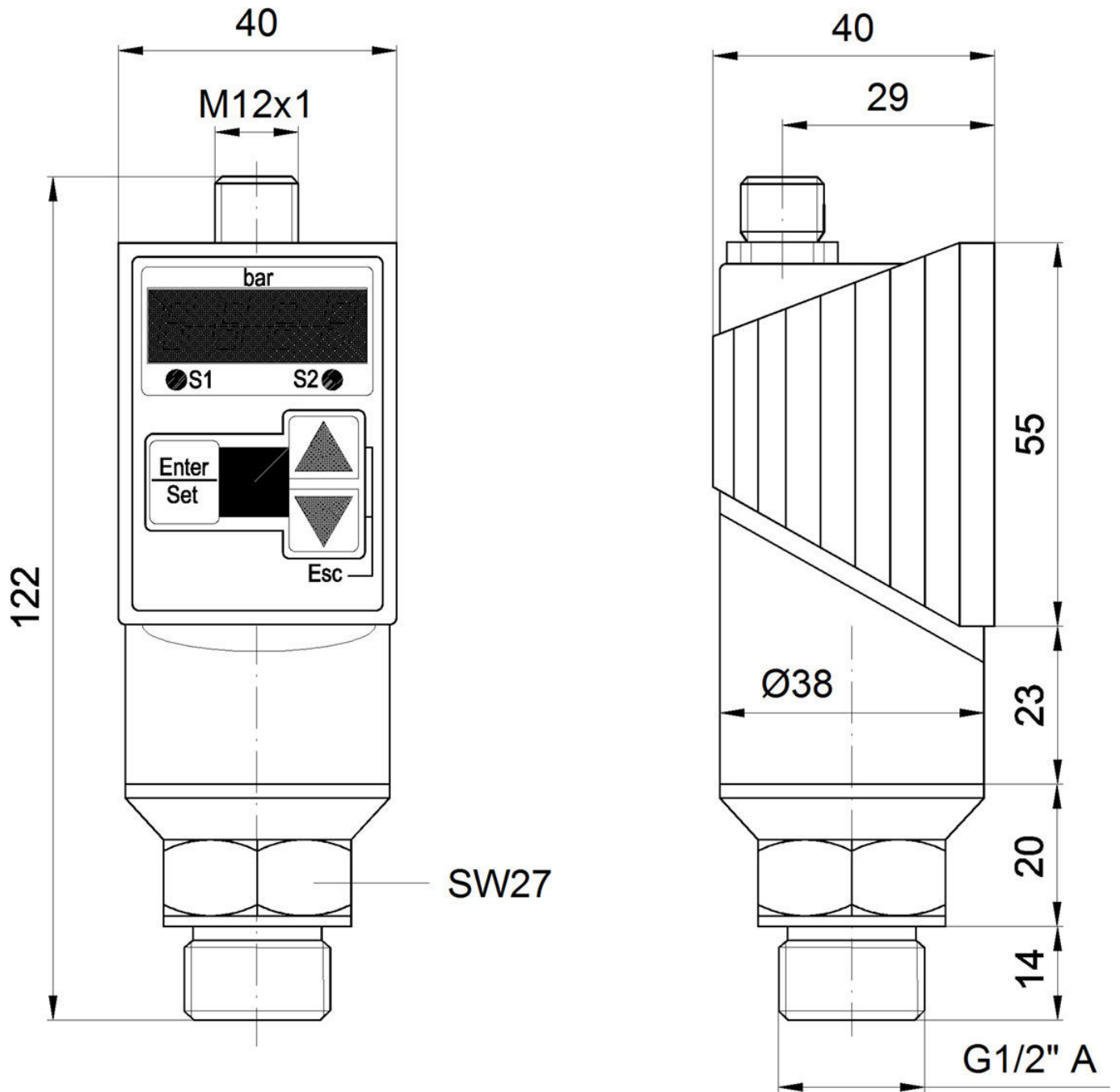
**More**

IPF Product Group	360 pressure sensors
packaging dimensions	160 x 99 x 60 mm
gross weight	390 g
Customs tariff number	90262020
WEEE number	40951076
OzDS-compliant	Yes
POP-compliant	Yes
Reach-compliant	Yes
RoHS-compliant	Yes

**Connection**



Dimensional drawing



**Extract accessories program**

**VK000041**



Adaption, M12 Female (socket)  
4pin Straight, M8 Male  
(connector) 4pin Straight, 24V, -  
25-85°C, IP67, Oil and cooling  
lubricants, Welding area

**AD000012**



Documentation pressure, Test  
protocol, Number of  
measurement points 10, Suitable  
for DW34/35/36

**VK205321**



Connection cable, 2m, M12  
Female (socket) 4pin Angular, Free  
conductor end, 4x0.34mm<sup>2</sup>, PUR  
(Polyurethane), Ø5.5mm, 250V, -  
25-90°C, IP67, Shielded, Suitable  
for trailing chain and torsion  
resistant, Oil and cooling  
lubricants, Welding area, Silicon...

**VK205325**



Connection cable, 2m, M12  
Female (socket) 4pin Straight, Free  
conductor end, 4x0.34mm<sup>2</sup>, PUR  
(Polyurethane), Ø5.5mm, 250V, -  
25-90°C, IP67, Shielded, Suitable  
for trailing chain and torsion  
resistant, Oil and cooling  
lubricants, Welding area, Silico...

**AY000152**



accessories sensor, Ø38mm,  
Plastic, For sensor 38mm, for Wall  
mounting, Screw mounting

**AD000011**



Connection cable RS232/USB, 1.  
5m, Optocoupler Straight, USB-A  
Male (connector) 4pin Straight

**AD000019**



Accessories pressure, profile seal  
G1/2", Ø24mm 1,5high,  
fluorocarbon rubber FKM, green

You can find further accessories on our homepage



**Installation**

Mounting / installation may only be carried  
out by a qualified electrician!



**Disposal**

WEEE number according to § 6 para. 3  
ElektroG: 40951076

**Safety warnings**

/ Before initial operation, please make sure to follow all safety instructions that may be provided in the product information.

/ Never use these devices in applications where the safety of a person depends on their functionality.

/ Any software, drivers or IODD files that may be required to operate your device can be downloaded free of charge from our homepage: [www.ipf-electronic.com](http://www.ipf-electronic.com)