

DW343126

Pressure sensors • Pressure monitor

pressure sensor, Ø38mm 122long, 0-400bar, 12-32V DC, G1/2 inch A, 2x PNP NC/NO, 0-10V/4-20mA / 0 ... 20 mA, Plug-in connection M12 8pin, IP65, PA 6.6 (synthetic), With display, Front-flush membrane



Pressure sensors are suitable for measuring different media with high accuracy. They are available with switching output and/or analog output. Using PC software, the measured values can be recorded depending on the device type. These sensors can be used in all areas of e.g. pneumatic and hydraulic applications.

Electrical features

Initial setting	0 - 80000hPa
Response/decay time	5ms
Number of switching outputs	2
Display	LED display
Type of switching function	Normally closed contact/normally open contact
Type of alarm output	PNP
Type of analog output	0 - 10V 0 - 20mA 4 - 20mA
Type of electrical connection	Connector M12
Type of switching output	PNP
Turn-off delay	0 - 20ms
Rated switching current	250mA
Readiness delay	2000ms
Turn-on delay	0 - 20s
Setting procedure	Application software Parameterization
End setting	320000 - 400000hPa
Relative hysteresis	1%
Short-circuit protection	Yes
No-load current	60mA
Measuring range pressure	0 - 400bar
Measurement method	Absolute
Number of pins	8
Relative linearity deviation	0.25%
Relative repeat accuracy	0.1%
Switching frequency	125Hz
Voltage drop	2V
Temperature drift over entire measuring range	0.2%
Reverse polarity protection	Yes
Damping (analog output)	20s
Damping (displayed value)	20s
Decay time	5ms
Operating voltage (DC)	12 - 32V
Suitable as 2-point control	Yes
Suitable as limiter	Yes
Suitable as monitor	Yes
Peak value memory	Yes
Output functions	Window function Switching point Hysteresis

Mechanical features

Type of process connection	G1/2 inch A
Design	Cylinder plain
Bursting pressure	2200bar
Diameter	38mm
For liquid media	Yes
For pasty media	Yes
Thread length	12mm
Thread pitch	1.81mm
Length	122mm
Max. operating pressure	600bar
Medium temperature	-20 - 80°C
Nominal pressure	400bar
Degree of protection (IP)	IP65
Housing material	PA 6.6 (synthetic)
Sensing element material	Stainless steel 1.4435
Front-flush membrane	Yes
Ambient temperature	-20 - 80°C

Other features

Measuring display	Relative
For hydraulic applications	Yes
For pneumatic applications	Yes
Ambient temperature	-20 - 80°C

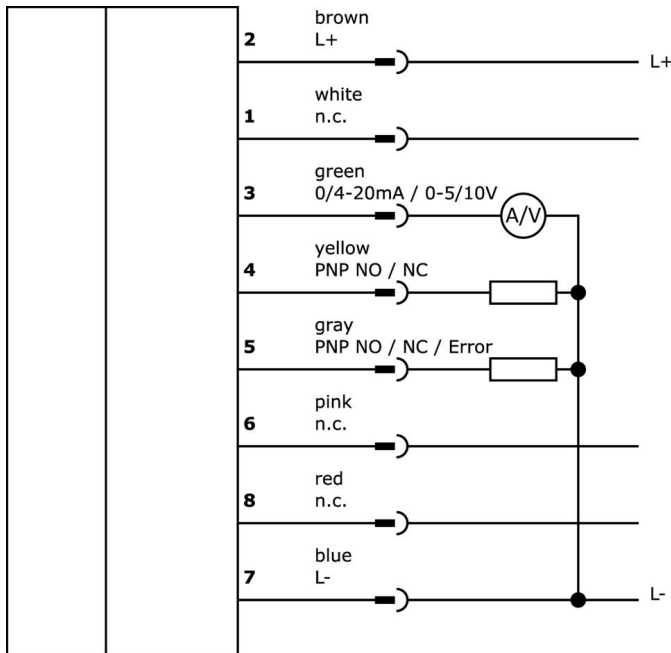
Classification

ETIM 8	EC000243 Pressure switch
--------	--------------------------

More

IPF Product Group	360 pressure sensors
packaging dimensions	160 x 99 x 60 mm
gross weight	385 g
Customs tariff number	90262020
WEEE number	40951076
OzDS-compliant	Yes
POP-compliant	Yes
Reach-compliant	Yes
RoHS-compliant	Yes

Connection



Installation



Mounting / installation may only be carried out by a qualified electrician!

Disposal



Safety warnings

Before initial operation, please make sure to follow all safety instructions that may be provided in the product information.

Never use these devices in applications where the safety of a person depends on their functionality.

For suitable connection and mounting accessories, please refer to our website www.ipf-electronic.com.

Any software, drivers or IODD files that may be required to operate your device can be downloaded free of charge from our homepage: www.ipf-electronic.com

Dimensional drawing

