

DW353114

Pressure sensors • Pressure monitor



Electrical features

Initial setting	0 - 20000 hPa
Response/decay time	5 ms
Number of switching outputs	2
Display	LED display
Type of switching function	Normally closed contact/normally open contact
Type of alarm output	PNP
Type of analog output	0 - 10V 0 - 20mA 4 - 20mA
Type of electrical connection	Connector M12
Type of switching output	PNP
Turn-off delay	0 - 20 s
Rated switching current	250 mA
Readiness delay	2000 ms
Turn-on delay	0 - 20 s
Setting procedure	Application software Parameterization
End setting	80000 - 100000 hPa
Relative hysteresis	1 %
No-load current	60 mA
Measuring range pressure	0 - 100 bar
Measurement method	Absolute
Number of pins	4
Relative linearity deviation	0.25 %
Relative repeat accuracy	0.1 %
Switching frequency	125 Hz
Voltage drop	2 V
Temperature drift over entire measuring range	0.2 %
Damping (analog output)	20 s
Damping (displayed value)	20 s
Decay time	5 ms
Operating voltage (DC)	12 - 32 V
Suitable as limiter	Yes
Suitable as monitor	Yes
Output functions	Window function Switching point Hysteresis
ardSOCA_ElektrischerAnschluss	
ardSOCA_Betriebsspannung	
ardTEEL_Schutzfunktionen	Reverse polarity protection Short circuit protection

Mechanical features

Type of process connection	G1/4 inch A
Design	Cylinder plain
Bursting pressure	900 bar
Diameter	38 mm
Thread length	14 mm
Thread pitch	1.34 mm
Length	122 mm
Max. operating pressure	150 bar
Medium temperature	-20 - 80 °C
Nominal pressure	100 bar
Degree of protection (IP)	IP65
Housing material	PA 6.6 (synthetic)
Sensing element material	Stainless steel 1.4435
Ambient temperature	-20 - 80 °C
ardSOCA_Abmessungen	
ardTEME_WerkstoffDesProzessanschlusses	Stainless steel 1.4435
ardTEME_WerkstoffDerMesszelle	Stainless steel 1.4435

Other features

Range of functions	Spitzenwertspeicher
Suitable for	Flüssige Medien
Measuring display	Relative
ardTE00_Anwendungen	Hydraulic applications Pneumatic applications Zweipunktreglung

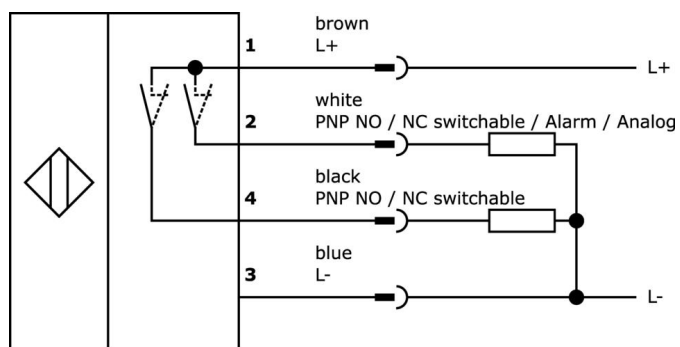
Classification

ETIM 8	EC000243 Pressure switch
--------	--------------------------

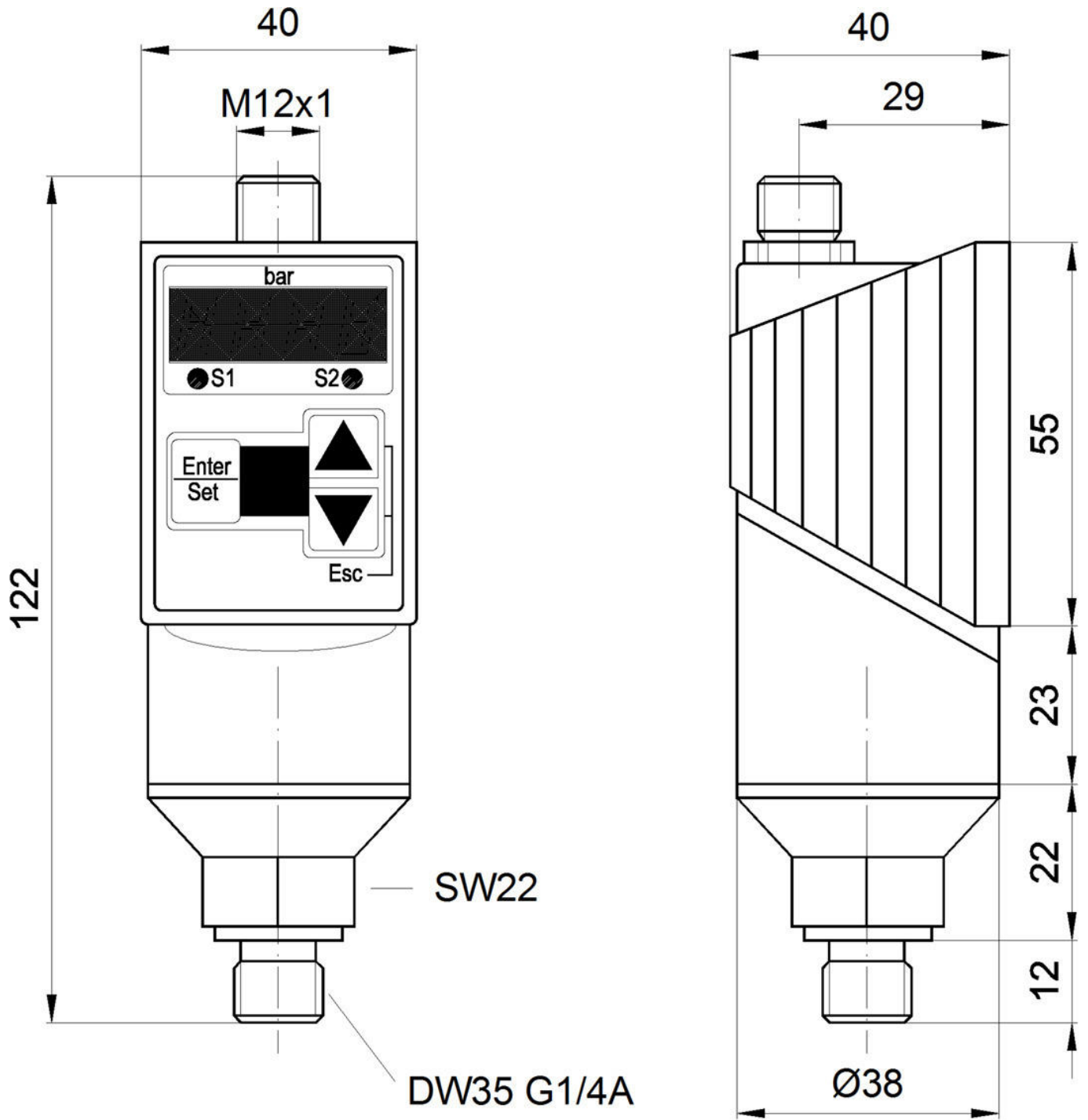
More

IPF Product Group	360 pressure sensors
packaging dimensions	160 x 99 x 60 mm
gross weight	370 g
Customs tariff number	90262020
WEEE number	40951076
OzDS-compliant	Yes
POP-compliant	Yes
Reach-compliant	Yes
RoHS-compliant	Yes

Connection



Dimensional drawing



Extract accessories program

VK205321

Connection cable, 2m, M12
 Female (socket) 4pin Angular, Free conductor end, 4x0.34mm², PUR (Polyurethane), Ø5.5mm, 250V, -25-90°C, IP67, Shielded, Suitable for trailing chain and torsion resistant, Oil and cooling lubricants, Welding area, Silicon...

AD000011

Connection cable RS232/USB, 1.5m, Optocoupler Straight, USB-A Male (connector) 4pin Straight

AD000017

Accessories pressure, adapter, G1/4, 26lang, V4A

VK205325

Connection cable, 2m, M12
 Female (socket) 4pin Straight, Free conductor end, 4x0.34mm², PUR (Polyurethane), Ø5.5mm, 250V, -25-90°C, IP67, Shielded, Suitable for trailing chain and torsion resistant, Oil and cooling lubricants, Welding area, Silico...

AD000012

Documentation pressure, Test protocol, Number of measurement points 10, Suitable for DW34/35/36

AD000018

Pressure accessories, adapter, G1/4 - G1/2, 24 long, stainless steel V4A, FKM

AY000152

accessories sensor, Ø38mm, Plastic, For sensor 38mm, for Wall mounting, Screw mounting

VK000041

Adaption, M12 Female (socket) 4pin Straight, M8 Male (connector) 4pin Straight, 24V, -25-85°C, IP67, Oil and cooling lubricants, Welding area

AD000020

Accessories pressure, profile seal G1/4", Ø16,5mm 1,5high, fluorocarbon rubber FKM, green

You can find further accessories on our homepage



Installation

Mounting / installation may only be carried out by a qualified electrician!



Disposal

WEEE number according to § 6 para. 3 ElektroG: 40951076

Safety warnings

/ Before initial operation, please make sure to follow all safety instructions that may be provided in the product information.

/ Never use these devices in applications where the safety of a person depends on their functionality.

/ Any software, drivers or IODD files that may be required to operate your device can be downloaded free of charge from our homepage: www.ipf-electronic.com