

DW353116

Pressure sensors • Pressure monitor

Pressure sensor, Ø38mm 122lang, 0-400bar, 12-32V DC, G1/4 "A, 2x PNP NC/NO, 0-10V / 0/4-20mA, M12 plug connector 4-pin, IP65, PA 6.6 (plastic), With display



Pressure sensors are suitable for measuring various media with high accuracy. They are available with switching output and/or analog output. Depending on the device type, the measured values can be recorded using PC software. These sensors are used in all areas e.g. pneumatic and hydraulic applications.

Electrical features

Initial setting	0 - 80000 hPa
Response/decay time	5 ms
Number of switching outputs	2
Display	LED display
Type of switching function	Normally closed contact/normally open contact
Type of alarm output	PNP
Type of analog output	0 - 10V 0 - 20mA 4 - 20mA
Type of electrical connection	Connector M12
Type of switching output	PNP
Turn-off delay	0 - 20 s
Rated switching current	250 mA
Readiness delay	2000 ms
Turn-on delay	0 - 20 s
Setting procedure	Application software Parameterization
End setting	320000 - 400000 hPa
Relative hysteresis	1 %
No-load current	60 mA
Measuring range pressure	0 - 400 bar
Measurement method	Absolute
Number of pins	4
Relative linearity deviation	0.25 %
Relative repeat accuracy	0.1 %
Switching frequency	125 Hz
Voltage drop	2 V
Temperature drift over entire measuring range	0.2 %
Damping (analog output)	20 s
Damping (displayed value)	20 s
Decay time	5 ms
Operating voltage (DC)	12 - 32 V
Suitable as limiter	Yes
Suitable as monitor	Yes
Output functions	Window function Switching point Hysteresis
ardSOCA_ElektrischerAnschluss	M12 4-pin plug connector
ardSOCA_Betriebsspannung	12-32VDC
ardTEEL_Schutzfunktionen	Reverse polarity protection Short circuit protection

Mechanical features

Type of process connection	G1/4 inch A
Design	Cylinder plain
Bursting pressure	2500 bar
Diameter	38 mm
Thread length	14 mm
Thread pitch	1.34 mm
Length	122 mm
Max. operating pressure	600 bar
Medium temperature	-20 - 80 °C
Nominal pressure	400 bar
Degree of protection (IP)	IP65
Housing material	PA 6.6 (synthetic)
Sensing element material	Stainless steel 1.4435
Ambient temperature	-20 - 80 °C
ardSOCA_Abmessungen	Ø38mm, 122mm long
ardTEME_WerkstoffDesProzessanschlusses	Stainless steel 1.4435
ardTEME_WerkstoffDerMesszelle	Stainless steel 1.4435

Other features

Range of functions	Spitzenwertspeicher
Suitable for	Flüssige Medien
Measuring display	Relative
ardTE00_Anwendungen	Hydraulic applications Pneumatic applications Zweipunktreglung

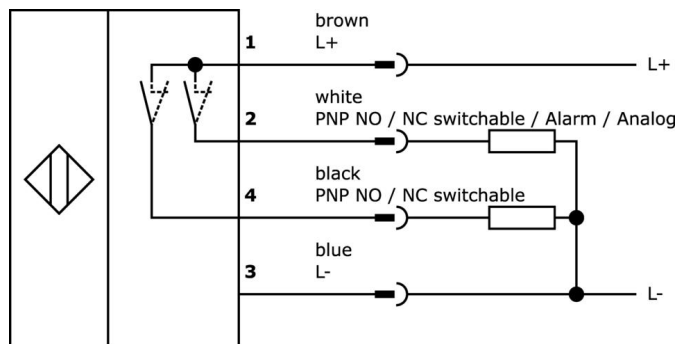
Classification

ETIM 8	EC000243 Pressure switch
--------	--------------------------

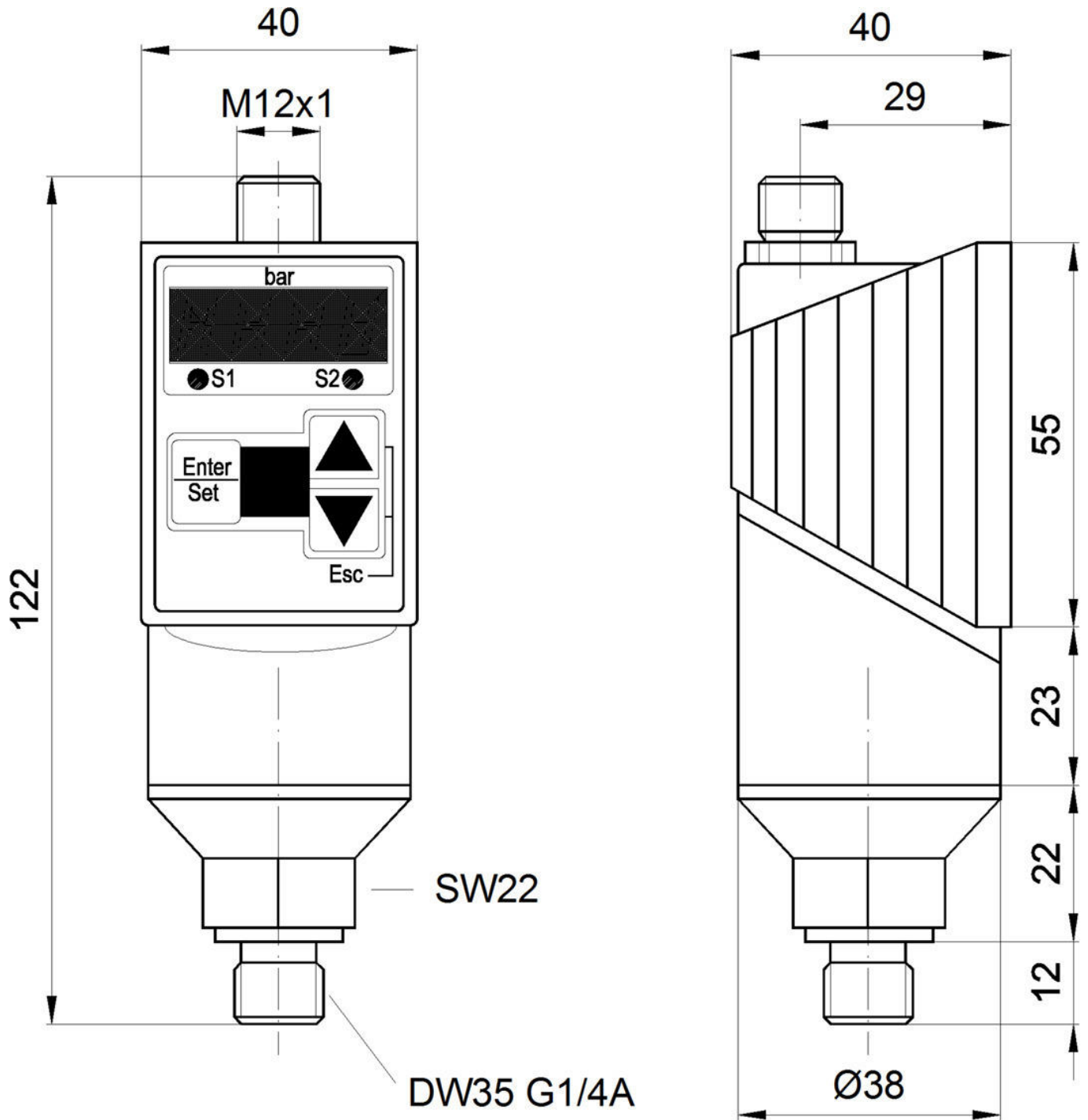
More

IPF Product Group	360 pressure sensors
packaging dimensions	160 x 99 x 60 mm
gross weight	370 g
Customs tariff number	90262020
WEEE number	40951076
OzDS-compliant	Yes
POP-compliant	Yes
Reach-compliant	Yes
RoHS-compliant	Yes

Connection



Dimensional drawing



Extract accessories program

AD000012



Documentation pressure, Test protocol, Number of measurement points 10, Suitable for DW34/35/36

AD000011



Connection cable RS232/USB, 1.5m, Optocoupler Straight, USB-A Male (connector) 4pin Straight

VK000041



Adaption, M12 Female (socket) 4pin Straight, M8 Male (connector) 4pin Straight, 24V, -25-85°C, IP67, Oil and cooling lubricants, Welding area

VK205321



Connection cable, 2m, M12 Female (socket) 4pin Angular, Free conductor end, 4x0.34mm², PUR (Polyurethane), Ø5.5mm, 250V, -25-90°C, IP67, Shielded, Suitable for trailing chain and torsion resistant, Oil and cooling lubricants, Welding area, Silicon...

VK205325



Connection cable, 2m, M12 Female (socket) 4pin Straight, Free conductor end, 4x0.34mm², PUR (Polyurethane), Ø5.5mm, 250V, -25-90°C, IP67, Shielded, Suitable for trailing chain and torsion resistant, Oil and cooling lubricants, Welding area, Silico...

AY000152



accessories sensor, Ø38mm, Plastic, For sensor 38mm, for Wall mounting, Screw mounting

AD000018



Pressure accessories, adapter, G1/4 - G1/2, 24 long, stainless steel V4A, FKM

AD000020



Accessories pressure, profile seal G1/4", Ø16,5mm 1,5high, fluorocarbon rubber FKM, green

You can find further accessories on our homepage



Installation

Mounting / installation may only be carried out by a qualified electrician!



Disposal

WEEE number according to § 6 para. 3 ElektroG: 40951076

Safety warnings

/ Before initial operation, please make sure to follow all safety instructions that may be provided in the product information.

/ Never use these devices in applications where the safety of a person depends on their functionality.

/ Any software, drivers or IODD files that may be required to operate your device can be downloaded free of charge from our homepage: www.ipf-electronic.com