

EAKF0101

LED lights • Magnifier light

LED magnifying lamp, Ø234mm 1366long, white light, 18W, 500lx, 5700K, M12 cable connector 2m, IP40, aluminum+PMMA clear, magnification factor 1.875x, table clamp, brightness adjustable, on/off switch

including Plug-in power supply



With on/off switch and brightness control on the housing

The magnifier light is suitable for stationary illumination of workstations, workbenches, assembly or inspection stations and machines where magnification (1.85x) and glare-free, shadow-free illumination are important. The luminaire can be precisely aligned on the desired area via the two articulated arms (each 400mm long) and the mounting base.

The angle of emitted beam is 120° and the luminous flux reaches 2000 lumens.

Continuous dimming with memory function is possible via a membrane keyboard on the light head.

Electrical features

Type of electrical connection	Cable connector M12
Rated operating current	750 mA
Power	18 W
Luminous flux	2000 lm
Protection class	III
Operating voltage (DC)	22 - 26 V
Adjustable brightness	Yes
ardSOCA_ElektrischerAnschluss	Cable connector M12 pole 2m
ardTEEL_Lichtausbeute	105 lm/W
ardSOCA_Betriebsspannung	22-26VDC

Mechanical features

Cable length	2 m
Mounting method	Clamp screw connection
Degree of protection (IP)	IP40
Front screen scattering behavior	diffuse
Housing material	Aluminum
Light head material	Plastic
Front screen material	Polymethyl methacrylate
Ambient temperature	-10 - 40 °C
ardSOCA_Abmessungen	Ø234mm, 1366mm long
ardTEME_LaengeDesAuslegers	800

Optical features

Number of LEDs	42
Illuminance at 500mm distance	500 lx
Color temperature	5700 K
Lamp	LED
Light source	White light
Magnification factor	1.875x
Angle of beam spread	120 °
Risk group	0

Other features

Features	with on/off switch
Average nominal service life	100000 h

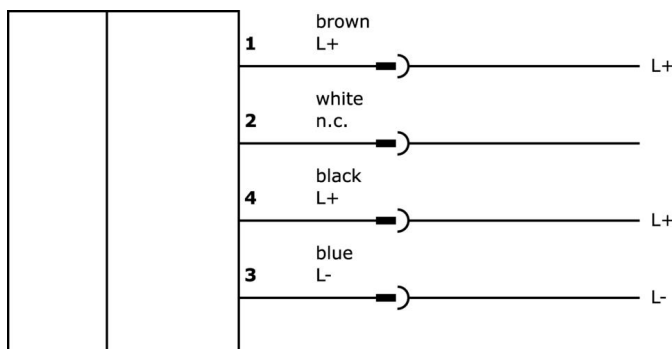
Classification

ETIM 8	EC000348 Machine and workbench light
--------	--------------------------------------

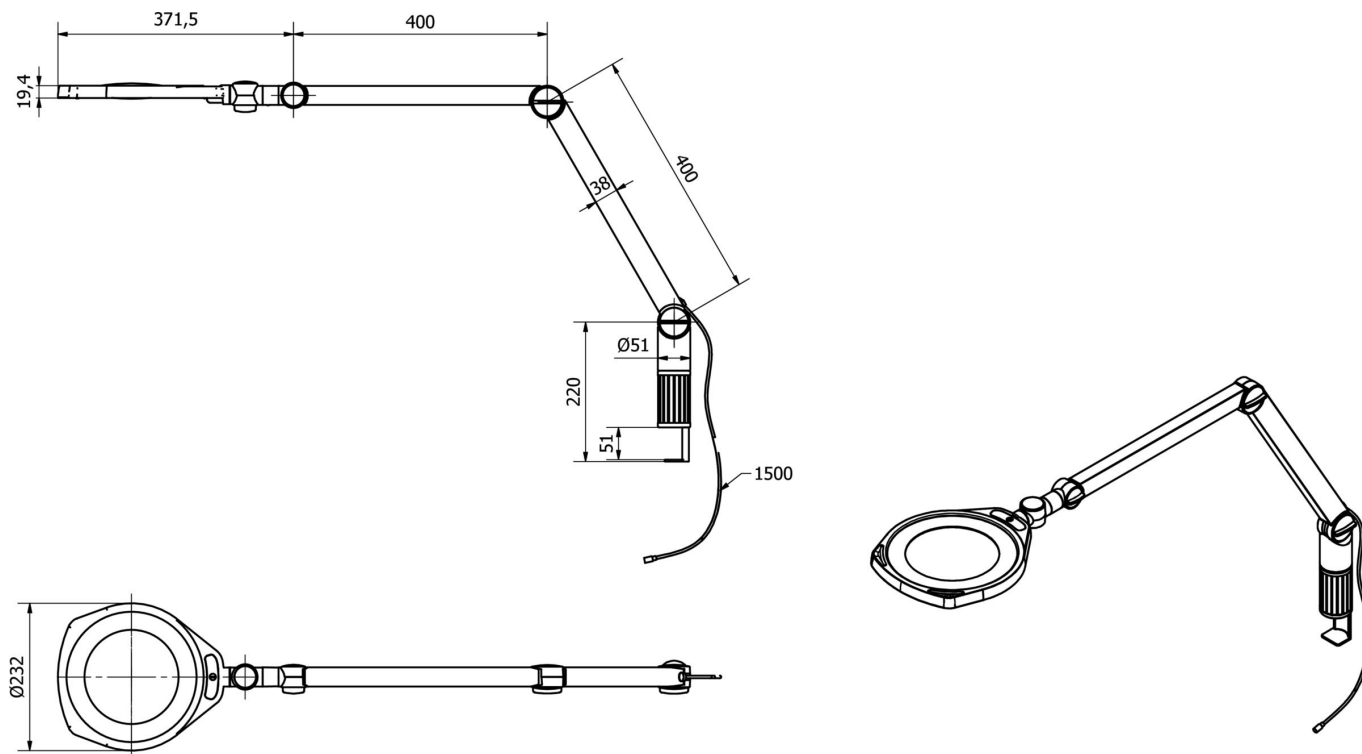
More

IPF Product Group	190 machine illuminations
packaging dimensions	1200 x 460 x 110 mm
gross weight	4454 g
Customs tariff number	94054239
WEEE number	40951076
Reach-compliant	Yes
RoHS-compliant	Yes

Connection



Dimensional drawing



Extract accessories program

AE000002



accessories lights, Fastening parts/
-set, 10x60x60mm, Mounting
material for lights, Plastic

AE000039



Light up accessories, mounting
parts/set, mounting material for
light, plastic

AV000141



accessories cable socket,
Mounting clip, 13.5mm, PPO,
Packaging unit 5, Accessories for
Cable socket/connector M12

VK003021



Cable socket, Angular, Suitable for
self-assembly, Screw connection,
Ø3-6.5mm, 4A, 60V, -25-90°C,
M12 Female (socket) 5pin, IP67,
PBT

VK003025



Cable socket, Straight, Suitable for
self-assembly, Screw connection,
Ø3-6.5mm, 4A, 60V, -25-90°C,
M12 Female (socket) 5pin, IP67,
PBT

VK030F21



Connection cable, 0.3m, M12
socket 4-pin angular, M12
connector 4-pin straight, 4x0.
34mm², 240V, IP67, suitable for
trailing chain and torsion resistant,
oils and cooling lubricants,
welding area, silicone-free

VK030F25



Connection cable, 0.3m, M12
socket 4-pin straight, M12
connector 4-pin straight, 4x0.
34mm², PUR (polyurethane),
240V, IP67, suitable for trailing
chain and torsion resistant, oils
and cooling lubricants, welding
area, silicone-free

VK200321



Connection cable, 2m, M12
Female (socket) 4pin Angular, Free
conductor end, 4x0.34mm², PUR
(Polyurethane), Ø4.7mm, 250V, -
40-90°C, IP67, Suitable for trailing
chain and torsion resistant, Oil and
cooling lubricants, Welding area,
Silicone-free

VK200325



Connection cable, 2m, M12
Female (socket) 4pin Straight, Free
conductor end, 4x0.34mm², PUR
(Polyurethane), Ø4.7mm, 250V, -
40-90°C, IP67, Suitable for trailing
chain and torsion resistant, Oil and
cooling lubricants, Welding area,
Silicone-free

You can find further accessories on our homepage

**Installation**

Mounting / installation may only be carried out by a qualified electrician!

**Disposal**

WEEE number according to § 6 para. 3
ElektroG: 40951076

Safety warnings

- / Before initial operation, please make sure to follow all safety instructions that may be provided in the product information.
- / Never use these devices in applications where the safety of a person depends on their functionality.
- / LED lighting systems can generate intensive UV radiation, which can damage your eyes in case of improper use. The manufacturer cannot be held responsible for damages that result from improper use or connection.