

## EB180170

### LED lights • Gooseneck lights

LED gooseneck light, M18x1 250long, white light, 1.95W, 380lx, 5000K, 15-30V DC, M8 connector 3-pin, IP65, stainl. steel+safety glass, screw-on plate

including Nut



#### Flexible use

#### Mounting on profiles with M6 sliding nuts possible

The lights are suitable for stationary illumination of workstations, workbenches, assembly and inspection stations and machines. As they are available via articulated or flexible arms and various mounting options, they can be aligned on the right area. The versions with a magnifying glass are required for workstations or inspection stations where magnification with glare-free and shadow-free illumination is crucial.

#### Electrical features

Type of electrical connection	Connector M8
Rated operating current	80 mA
Power	1.95 W
Number of pins	3
Protection class	III
Reverse polarity protection	Yes
Operating voltage (DC)	15 - 30 V
Adjustable brightness	via pulse width modulation
ardSOCA_ElektrischerAnschluss	M8 3-pin plug connector
ardSOCA_Betriebsspannung	15-30VDC

#### Mechanical features

Diameter	18 mm
Thread pitch	1 mm
Length	250 mm
Mounting method	Screw mounting
Degree of protection (IP)	IP65
Front screen scattering behavior	clear
Housing material	Stainless steel 1.4305
Front screen material	Safety glass
Thread dimension	M18
Ambient temperature	-20 - 50 °C
ardSOCA_Abmessungen	M18x1, 250mm long

**Optical features**

Number of LEDs	1
Illuminance at 500mm distance	380 lx
Illumination in the center (distance 1 m)	80 lx
Color temperature	5000 K
Light source	White light
Angle of beam spread	120 °
Risk group	0

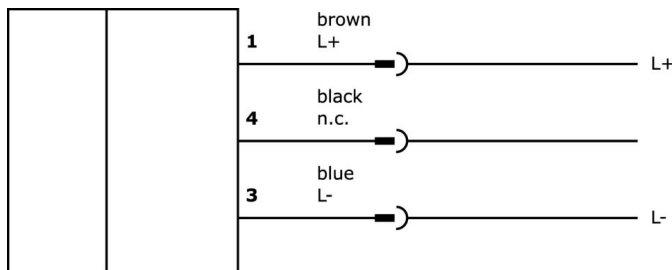
**Classification**

ETIM 8	EC000348 Machine and workbench light
--------	--------------------------------------

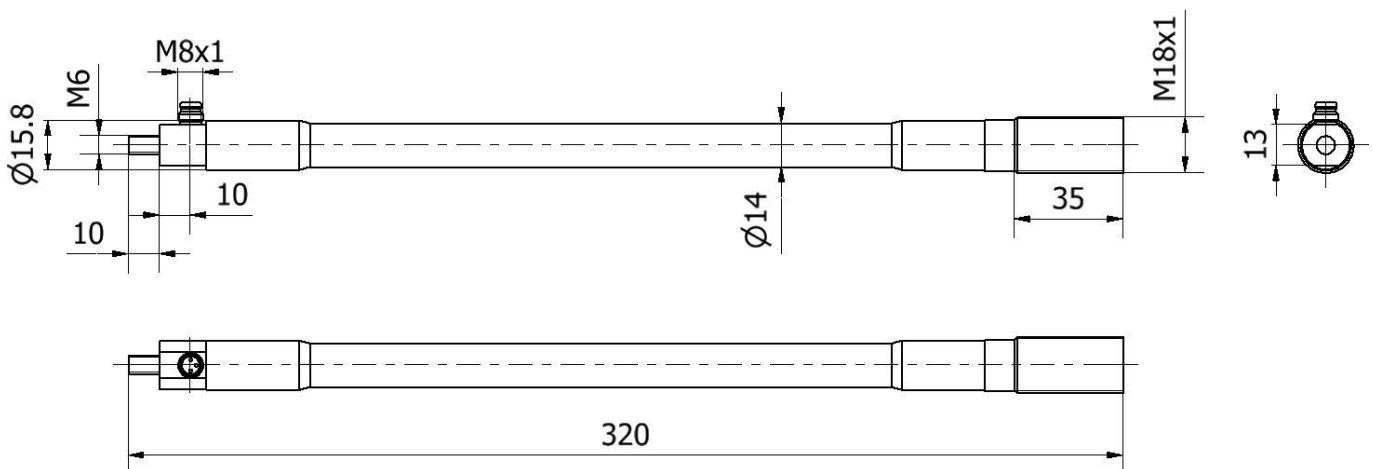
**More**

IPF Product Group	190 machine illuminations
packaging dimensions	330 x 47 x 43 mm
gross weight	269 g
Customs tariff number	94054239
WEEE number	40951076
Reach-compliant	Yes
RoHS-compliant	Yes

**Connection**



**Dimensional drawing**



**Extract accessories program**

**AY000128**



Accessories, magnetic, Ø47mm, hard ferrite, inside thread M6, 200°C, steel

**AY000129**



Accessories, magnetic, Ø66mm, neodymium-iron-boron, inside thread M6, rubber

**VY062174**



Switch, 0.6m, M8 Female (socket) 3pin Straight, M8 Male (connector) 3pin Straight, 3x0.34mm<sup>2</sup>, PUR (Polyurethane), Ø4.3mm, 60V, IP20

**VK003070**



Cable socket, Angular, Suitable for self-assembly, Soldering connection, Ø3.5-5mm, 4A, 60V, -40-85°C, M8 Female (socket) 3pin, IP67, Brass

**VK003074**



Cable socket, Straight, Suitable for self-assembly, Soldering connection, Ø3.5-5mm, 4A, 60V, -40-85°C, M8 Female (socket) 3pin, IP67, Brass

**VK200071**



Connection cable, 2m, M8 Female (socket) 3pin Angular, Free conductor end, 3x0.34mm<sup>2</sup>, PUR (Polyurethane), Ø4.3mm, 60V, -40-90°C, IP67, TPU, Suitable for trailing chain and torsion resistant, Oil and cooling lubricants, Welding area, Silicone-free

**VK200075**



Connection cable, 2m, M8 female (socket) 3pin Straight, free conductor end, 3x0.34mm<sup>2</sup>, PUR (Polyurethane), Ø4.3mm, 60V, -30-90°C, IP67, suitable for trailing chain and torsion resistant, oil and cooling lubricants, welding area, Silicone-free

You can find further accessories on our homepage



**Installation**

Mounting / installation may only be carried out by a qualified electrician!



**Disposal**

WEEE number according to § 6 para. 3 ElektroG: 40951076

**Safety warnings**

/ Before initial operation, please make sure to follow all safety instructions that may be provided in the product information.

/ Never use these devices in applications where the safety of a person depends on their functionality.

/ LED lighting systems can generate intensive UV radiation, which can damage your eyes in case of improper use. The manufacturer cannot be held responsible for damages that result from improper use or connection.