

ED300120

camera additional lighting • Transmitted light luminaire

LED transmitted light, 30x30x20mm, white light, diffuse, 1.1W, 5000K, 24V DC, M12 cable connector, 3-pin, 0.3m length, IP67, aluminum+PMMA



Homogeneous light guide

This homogeneous transmitted light illumination with an illuminated area of 30 x 30 mm is ideal for checking and measuring outlines. The lateral coupling of the LED light ensures very homogeneous illumination of the surface, which increases the quality of the inspection result. The transmitted light illumination is characterized by its very compact format with a housing height of only 20 mm.

Electrical features

Type of electrical connection	Cable connector M12
Rated operating current	46 mA
Flash controller	No
Power	1.1 W
Number of pins	3
Protection class	III
Operating voltage (DC)	24 V
ardTEEL_Schutzfunktionen	Reverse polarity protection

Mechanical features

Width	30 mm
Light field width	30 mm
Height	20 mm
Cable length	0.3 m
Length	30 mm
Light field length	30 mm
Degree of protection (IP)	IP67
Front screen scattering behavior	diffuse
Housing material	Aluminum
Front screen material	Polymethyl methacrylate
Ambient temperature	0 - 40 °C

Optical features

Color temperature	5000 K
Lamp	LED
Light source	White light
Angle of beam spread	120 °
Risk group	0

Other features

Operational mode	Permanent operation Switching operation
------------------	---

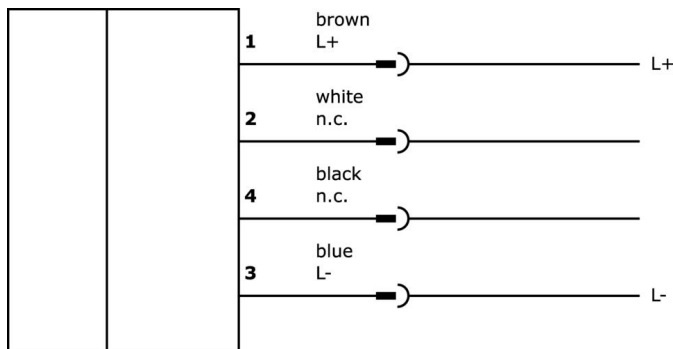
Classification

ETIM 8

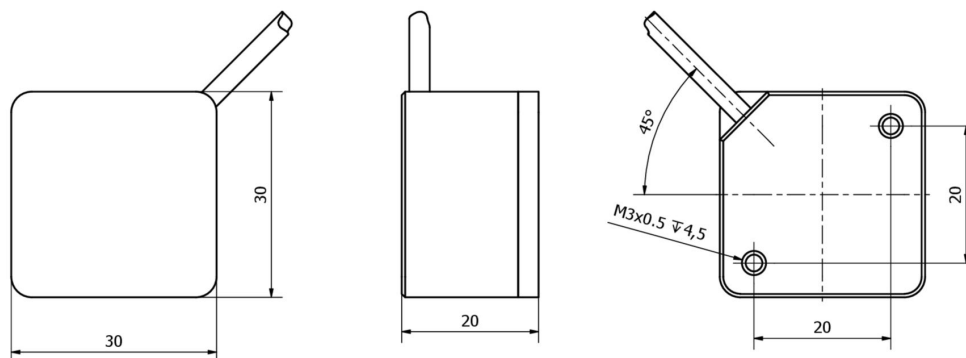
More

IPF Product Group	915 camera illumination
packaging dimensions	160 x 99 x 60 mm
gross weight	105 g
Customs tariff number	94054239
WEEE number	40951076
POP-compliant	Yes
Reach-compliant	Yes
RoHS-compliant	Yes

Connection



Dimensional drawing



Extract accessories program

VK200321



Connection cable, 2m, M12
Female (socket) 4pin Angular, Free conductor end, 4x0.34mm², PUR (Polyurethane), Ø4.7mm, 250V, -40-90°C, IP67, Suitable for trailing chain and torsion resistant, Oil and cooling lubricants, Welding area, Silicone-free

VK200325



Connection cable, 2m, M12
Female (socket) 4pin Straight, Free conductor end, 4x0.34mm², PUR (Polyurethane), Ø4.7mm, 250V, -40-90°C, IP67, Suitable for trailing chain and torsion resistant, Oil and cooling lubricants, Welding area, Silicone-free

VK200621



Connection cable, 2m, M12
Female (socket) 5pin Angular, Free conductor end, 5x0.34mm², PUR (Polyurethane), Ø5.4mm, 60V, -25-90°C, IP67, Suitable for trailing chain and torsion resistant, Oil and cooling lubricants, Welding area, Silicone-free

VK200625



Connection cable, 2m, M12
Female (socket) 5pin Straight, Free conductor end, 5x0.34mm², PUR (Polyurethane), Ø5.4mm, 60V, -25-90°C, IP67, Suitable for trailing chain and torsion resistant, Oil and cooling lubricants, Welding area, Silicone-free

VK200021



Connection cable, 2m, M12
Female (socket) 3pin Angular, Free conductor end, 3x0.34mm², PUR (Polyurethane), Ø4.3mm, 250V, -30-90°C, IP67, Suitable for trailing chain and torsion resistant, Oil and cooling lubricants, Welding area, Silicone-free

VK200025



Connection cable, 2m, M12
Female (socket) 3pin Straight, Free conductor end, 3x0.34mm², PUR (Polyurethane), Ø4.3mm, 250V, -30-90°C, IP67, Suitable for trailing chain and torsion resistant, Oil and cooling lubricants, Welding area, Silicone-free

You can find further accessories on our homepage



Installation

Mounting / installation may only be carried out by a qualified electrician!



Disposal

WEEE number according to § 6 para. 3 ElektroG: 40951076

Safety warnings

- /** Before initial operation, please make sure to follow all safety instructions that may be provided in the product information.
- /** Never use these devices in applications where the safety of a person depends on their functionality.
- /** LED lighting systems can generate intensive UV radiation, which can damage your eyes in case of improper use. The manufacturer cannot be held responsible for damages that result from improper use or connection.