

EDLE0170

camera additional lighting • Transmitted light luminaire

LED transmitted light, 250x120x12mm, white light, 17W, 5000K, 24V DC, M8 connector 4-pin, IP54, aluminum+PMMA



Homogeneous light guide

This homogeneous transmitted light illumination with an illuminated area of 200 x 100 mm is ideal for testing and measuring outlines. The lateral coupling of the LED light ensures very homogeneous illumination of the surface, which increases the quality of the inspection result. The transmitted light illumination is characterized by its very compact format with a housing height of only 12 mm.

Electrical features

Type of electrical connection	Connector M8
Rated operating current	900 mA
Flash controller	internal
Power	17 W
Max. peak current	3600 mA
Number of pins	4
Protection class	III
Operating voltage (DC)	22,8 - 25,2 V
ardSOCA_ElektrischerAnschluss	M8 4-pin plug connector
ardSOCA_Betriebsspannung	23-25VDC

Mechanical features

Width	120 mm
Light field width	100 mm
Height	12 mm
Length	250 mm
Light field length	200 mm
Degree of protection (IP)	IP54
Front screen scattering behavior	diffuse
Housing material	Aluminum
Front screen material	Polymethyl methacrylate
Working distance range	1 - 100 mm
Ambient temperature	10 - 30 °C
ardSOCA_Abmessungen	250x120x12mm

Optical features

Color temperature	5000 K
Lamp	LED
Light source	White light
Risk group	0

Other features

Relative air humidity (non-condensing)	30 - 70 %
Operational mode	Flash operation Permanent operation Switching operation

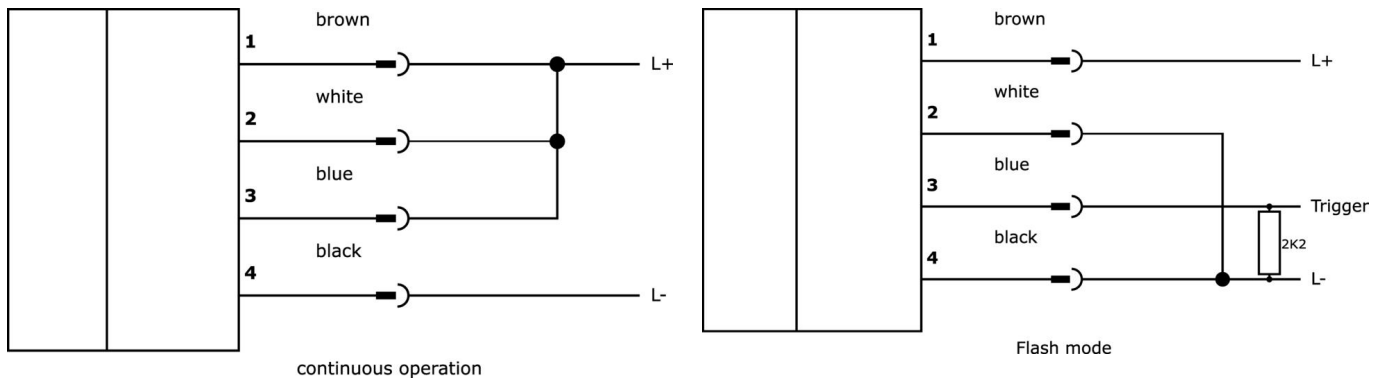
Classification

ETIM 8	EC000348 Machine and workbench light
--------	--------------------------------------

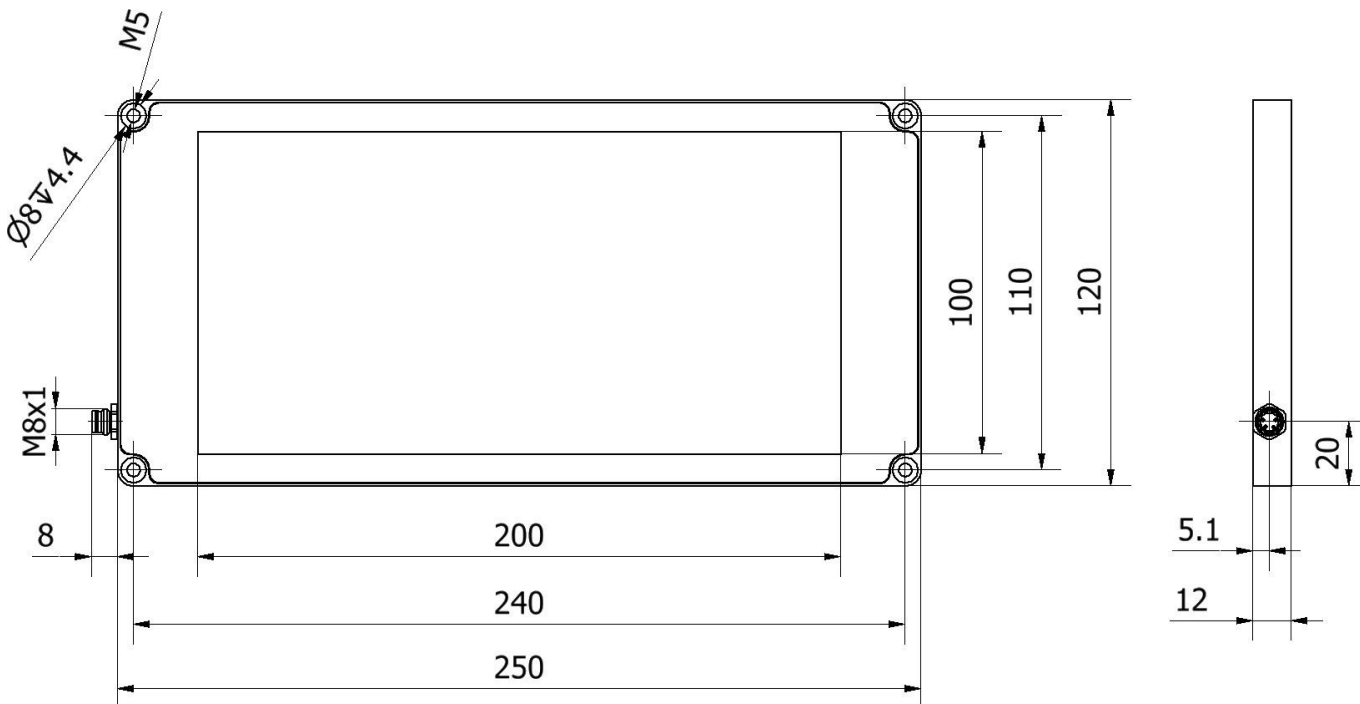
More

IPF Product Group	915 camera illumination
packaging dimensions	290 x 230 x 61 mm
gross weight	971 g
Customs tariff number	94054239
WEEE number	40951076
Reach-compliant	Yes
RoHS-compliant	Yes

Connection




Dimensional drawing




Extract accessories program

VK200371




Connection cable, 2m, M8 Female (socket) 4pin Angular, Free conductor end, 4x0.34mm², PUR (Polyurethane), $\varnothing 4.7$ mm, 30V, -30-90°C, IP67, Suitable for trailing chain and torsion resistant, Oil and cooling lubricants, Welding area, Silicone-free

VK200375




Connection cable, 2m, M8 Female (socket) 4pin Straight, Free conductor end, 4x0.34mm², PUR (Polyurethane), $\varnothing 4.7$ mm, 30V, -30-90°C, IP67, Suitable for trailing chain and torsion resistant, Oil and cooling lubricants, Welding area, Silicone-free

VK06F001



Line for camera lighting in continuous operation on OC53 with internal flash controller, 0.6m, M8 socket 4-pin straight, M8 connector 4-pin straight, 4-wire

VK06F002



Line for camera lighting in flash mode to OC53 with internal flash controller, 0.6m, M8 socket 4-pin straight, M8 connector 4-pin straight, 4-wire

You can find further accessories on our homepage



Installation

Mounting / installation may only be carried out by a qualified electrician!



Disposal

WEEE number according to § 6 para. 3 ElektroG: 40951076

Safety warnings

- /** Before initial operation, please make sure to follow all safety instructions that may be provided in the product information.
- /** Never use these devices in applications where the safety of a person depends on their functionality.
- /** LED lighting systems can generate intensive UV radiation, which can damage your eyes in case of improper use. The manufacturer cannot be held responsible for damages that result from improper use or connection.