

## EE500170

### camera additional lighting • dome lights

LED dome light, 100x100x52 mm, white light, 6W, 5000K, 23-25V DC, M8 connector 4-pin, IP20, aluminum



### Homogeneous light guide

The compact incident light illuminators with camera aperture are ideal for inspecting objects in bright field with low reflective surfaces. The lateral coupling of the LED light ensures very homogeneous radiation via the entire illuminated area.

#### Electrical features

Type of electrical connection	Connector M8
Rated operating current	300 mA
Flash controller	internal
Power	6 W
Max. peak current	1200 mA
Number of pins	4
Protection class	III
Operating voltage (DC)	22,8 - 25,2 V
Flash duration	1 - 5000 µs
ardSOCA_ElektrischerAnschluss	M8 4-pin plug connector
ardSOCA_Betriebsspannung	23-25VDC

#### Mechanical features

Width	100 mm
Height	52 mm
Inner diameter	20 mm
Length	100 mm
Degree of protection (IP)	IP20
Front screen scattering behavior	diffuse
Housing material	Aluminum
Working distance range	1 - 30 mm
Ambient temperature	10 - 30 °C
ardSOCA_Abmessungen	100x100x52mm

#### Optical features

Color temperature	5000 K
Lamp	LED
Light source	White light
Risk group	0

**Other features**

Relative air humidity (non-condensing)	30 - 70 %
Operational mode	Flash operation   Permanent operation   Switching operation

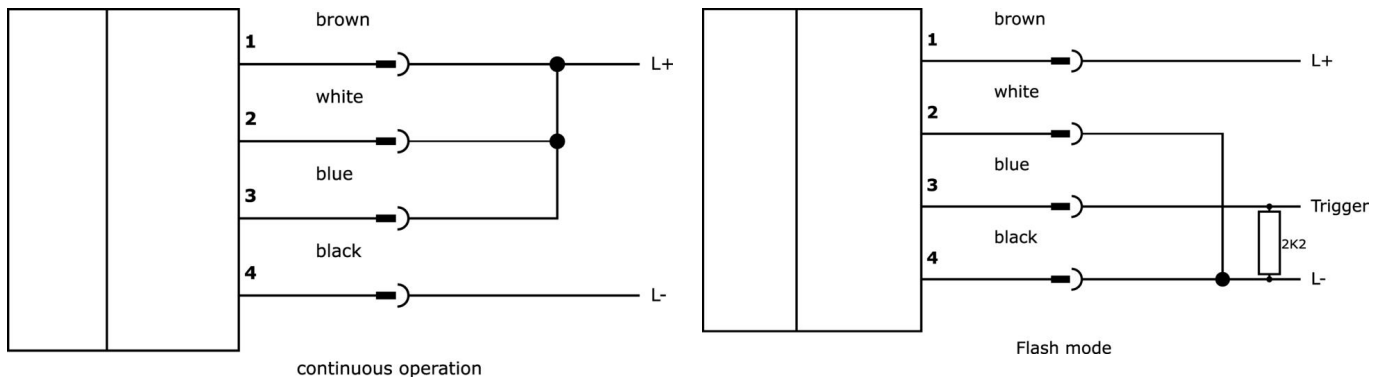
**Classification**

ETIM 8	EC000348 Machine and workbench light
--------	--------------------------------------

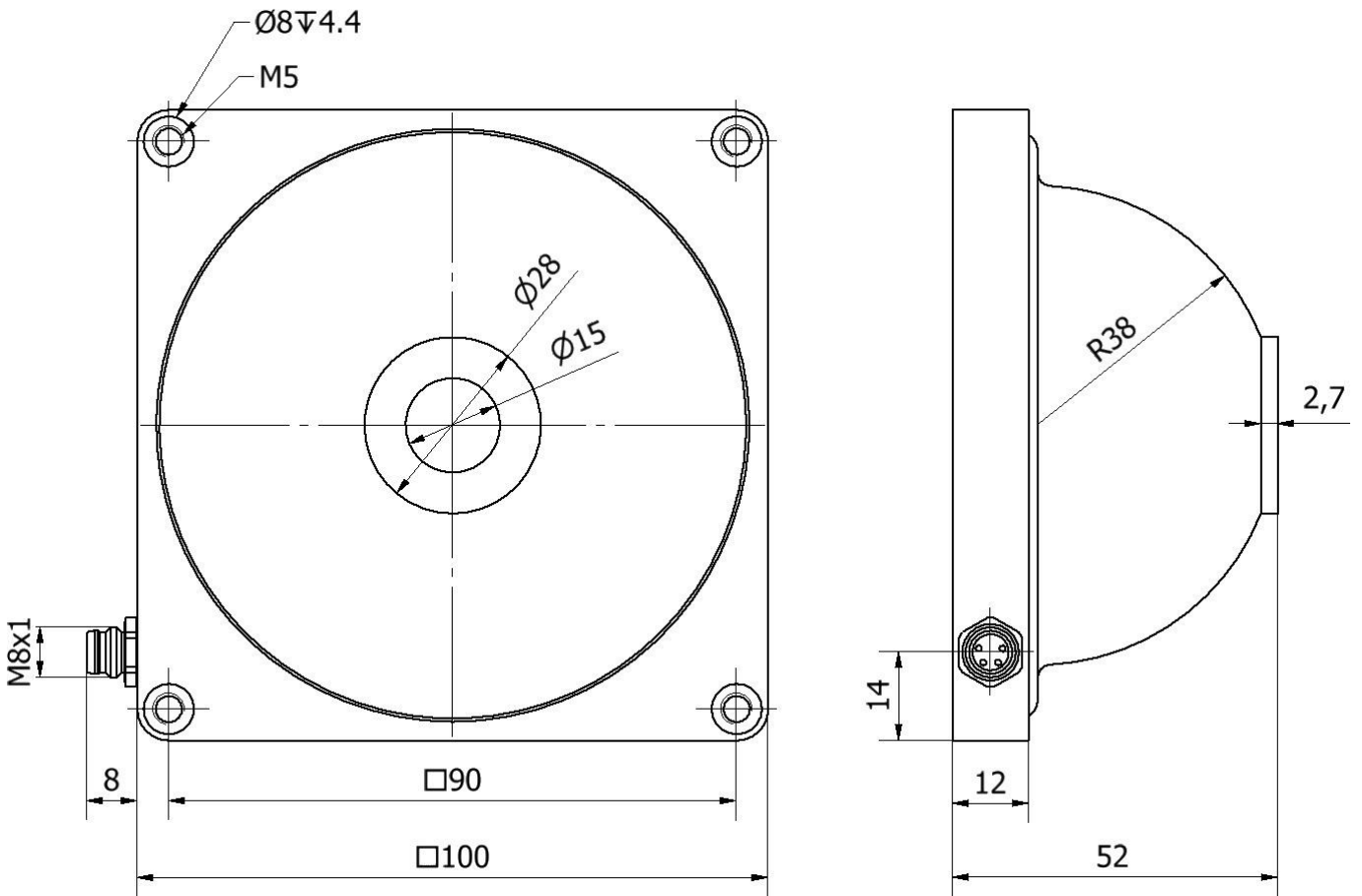
**More**

IPF Product Group	915 camera illumination
packaging dimensions	185 x 170 x 80 mm
gross weight	322 g
Customs tariff number	94054239
WEEE number	40951076
Reach-compliant	Yes
RoHS-compliant	Yes

**Connection**



**Dimensional drawing**



**Extract accessories program**

**VK030F71**



Connection cable, 0.3m, M8 socket 4-pin angular, M8 connector 4-pin straight, 4-core, PUR (polyurethane), suitable for trailing chain and torsion resistant, oils and cooling lubricants, welding area, silicone-free

**VK030F75**



Connection cable, 0.3m, M8 socket 4-pin straight, M8 connector 4-pin straight, 4-core, PUR (polyurethane), suitable for trailing chain and torsion-resistant, oils and cooling lubricants, welding area, silicone-free

**VK200371**



Connection cable, 2m, M8 Female (socket) 4pin Angular, Free conductor end, 4x0.34mm<sup>2</sup>, PUR (Polyurethane), Ø4.7mm, 30V, -30-90°C, IP67, Suitable for trailing chain and torsion resistant, Oil and cooling lubricants, Welding area, Silicone-free

**VK200375**



Connection cable, 2m, M8 Female (socket) 4pin Straight, Free conductor end, 4x0.34mm<sup>2</sup>, PUR (Polyurethane), Ø4.7mm, 30V, -30-90°C, IP67, Suitable for trailing chain and torsion resistant, Oil and cooling lubricants, Welding area, Silicone-free

**VK003071**



Cable socket, Angular, Suitable for self-assembly, Soldering connection, Ø3.5-5mm, 4A, 30V, -40-85°C, M8 Female (socket) 4pin, IP67, Brass

**VK003075**



Cable socket, Straight, Suitable for self-assembly, Soldering connection, Ø3.5-5mm, 4A, 30V, -40-85°C, M8 Female (socket) 4pin, IP67, Brass

**VK06F001**



Line for camera lighting in continuous operation on OC53 with internal flash controller, 0.6m, M8 socket 4-pin straight, M8 connector 4-pin straight, 4-wire

**VK06F002**



Line for camera lighting in flash mode to OC53 with internal flash controller, 0.6m, M8 socket 4-pin straight, M8 connector 4-pin straight, 4-wire

You can find further accessories on our homepage



**Installation**

Mounting / installation may only be carried out by a qualified electrician!



**Disposal**

WEEE number according to § 6 para. 3 ElektroG: 40951076

**Safety warnings**

**/** Before initial operation, please make sure to follow all safety instructions that may be provided in the product information.

**/** Never use these devices in applications where the safety of a person depends on their functionality.

**/** LED lighting systems can generate intensive UV radiation, which can damage your eyes in case of improper use. The manufacturer cannot be held responsible for damages that result from improper use or connection.