

EF1G0170

camera additional lighting • Dark field lights

LED dark field light, Ø172mm, white light, 6.24W, 6500K, 24V, M8 connector 4-pin, IP40, aluminum



For highlighting surface defects, scratches or engravings

Illumination of the test objects is provided by the lateral light exit at very shallow brackets. This illumination, also described as dark field illumination, is ideal for inspecting object surfaces or edges, as the lateral illumination means that the light is only reflected back to the camera from angled surfaces, such as scratches or relief structures.

The housing of the horizontal ring lights is particularly compact and can therefore also be used optimally in space-critical inspections. Due to the compact housing and shadow-free illumination, horizontal ring lights are also often used for barcode reading applications.

Electrical features

Type of electrical connection	Connector M8
Rated operating current	260 mA
Flash controller	No
Power	6.24 W
Number of pins	4
Protection class	III
Operating voltage (DC)	24 V

Mechanical features

Diameter	172 mm
Height	12.5 mm
Inner diameter	130 mm
Degree of protection (IP)	IP40
Front screen scattering behavior	clear
Housing material	Aluminum
Front screen material	Polymethyl methacrylate
Working distance range	0 - 20 mm
Ambient temperature	10 - 50 °C

Optical features

Color temperature	6500 K
Lamp	LED
Light source	White light
Angle of beam spread	120 °
Risk group	0

Other features

Operational mode	Permanent operation Switching operation
------------------	---

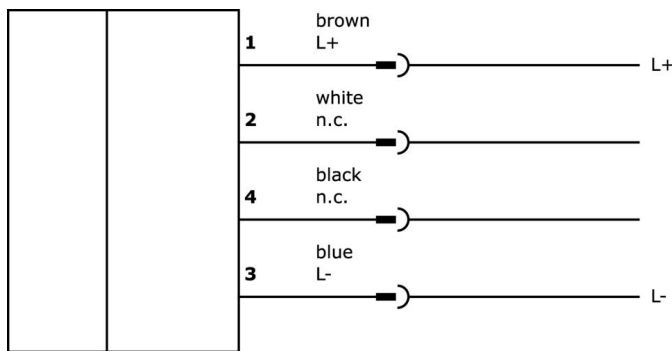
Classification

ETIM 8	EC000348 Machine and workbench light
--------	--------------------------------------

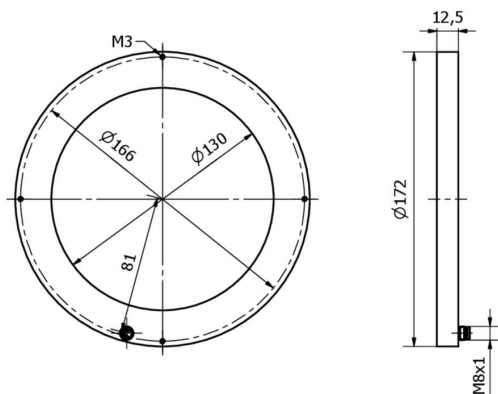
More

IPF Product Group	915 camera illumination
packaging dimensions	280 x 215 x 75 mm
gross weight	408 g
Customs tariff number	94054239
WEEE number	40951076
Reach-compliant	Yes
RoHS-compliant	Yes

Connection



Dimensional drawing



Extract accessories program

VK000039



Adaption, M8 Female (socket) 4pin Straight, M8 Male (connector) 3pin Straight, 24V, -25-85°C, IP67, Oil and cooling lubricants, Welding area

VK003071



Cable socket, Angular, Suitable for self-assembly, Soldering connection, Ø3.5-5mm, 4A, 30V, -40-85°C, M8 Female (socket) 4pin, IP67, Brass

VK003075



Cable socket, Straight, Suitable for self-assembly, Soldering connection, Ø3.5-5mm, 4A, 30V, -40-85°C, M8 Female (socket) 4pin, IP67, Brass

VK030F71



Connection cable, 0.3m, M8 socket 4-pin angular, M8 connector 4-pin straight, 4-core, PUR (polyurethane), suitable for trailing chain and torsion resistant, oils and cooling lubricants, welding area, silicone-free

VK030F75



Connection cable, 0.3m, M8 socket 4-pin straight, M8 connector 4-pin straight, 4-core, PUR (polyurethane), suitable for trailing chain and torsion-resistant, oils and cooling lubricants, welding area, silicone-free

VK000040



Adaption, M8 Female (socket) 4pin Straight, M12 Male (connector) 4pin Straight, 24V, -25-85°C, IP67, Oil and cooling lubricants, Welding area

VK200371



Connection cable, 2m, M8 Female (socket) 4pin Angular, Free conductor end, 4x0.34mm², PUR (Polyurethane), Ø4.7mm, 30V, -30-90°C, IP67, Suitable for trailing chain and torsion resistant, Oil and cooling lubricants, Welding area, Silicone-free

VK200375



Connection cable, 2m, M8 Female (socket) 4pin Straight, Free conductor end, 4x0.34mm², PUR (Polyurethane), Ø4.7mm, 30V, -30-90°C, IP67, Suitable for trailing chain and torsion resistant, Oil and cooling lubricants, Welding area, Silicone-free

You can find further accessories on our homepage



Installation

Mounting / installation may only be carried out by a qualified electrician!



Disposal

WEEE number according to § 6 para. 3 ElektroG: 40951076

Safety warnings

/ Before initial operation, please make sure to follow all safety instructions that may be provided in the product information.

/ Never use these devices in applications where the safety of a person depends on their functionality.

/ LED lighting systems can generate intensive UV radiation, which can damage your eyes in case of improper use. The manufacturer cannot be held responsible for damages that result from improper use or connection.