

EH554100

LED lights • Floodlights

LED floodlight, 50x227x189mm, white light, 30W, 3700lx, 6000K, 220-240V AC, cable tail 0.5m rubber, IP65, aluminum+safety glass



Flicker-free
Large angle of emitted beam

The dimmable LED floodlights are a simple alternative to halogen floodlights. They are ten times more effective than halogen floodlights. The housing made of powder-coated aluminum is highly corrosion-resistant and a sturdy strap ensures secure mounting on the wall or ceiling. High-quality LEDs on an aluminum core board ensure optimum heat dissipation. The high degree of protection makes them ideal for use in industrial areas.

Electrical features

| | |
|-------------------------------|------------------|
| Type of electrical connection | Cable |
| Power | 30 W |
| Luminous flux | 4000 lm |
| Protection class | I |
| Reverse polarity protection | Yes |
| Operating voltage (AC 50Hz) | 220 - 240 V |
| ardSOCA_ElektrischerAnschluss | Cable tail 0.5m |
| ardTEEL_Lichtausbeute | 135 lm/W |
| ardSOCA_Betriebsspannung | 220-240VAC(50Hz) |

Mechanical features

| | |
|----------------------------------|------------------|
| Design | Cuboid |
| Width | 189 mm |
| Light field width | 98 mm |
| Height | 50 mm |
| Cable length | 0.5 m |
| Length | 227 mm |
| Light field length | 136 mm |
| Degree of protection (IP) | IP65 |
| Front screen scattering behavior | clear |
| Housing material | Aluminum |
| Material of cable sheath | Plastic (rubber) |
| Front screen material | Safety glass |
| Ambient temperature | -20 - 40 °C |
| ardSOCA_Abmessungen | 227x189x50mm |

Optical features

| | |
|---|-------------|
| Number of LEDs | 54 |
| Illuminance at 500mm distance | 3700 lx |
| Illumination in the center (distance 1 m) | 1000 lx |
| Color temperature | 6000 K |
| Lamp | LED |
| Light source | White light |
| Angle of beam spread | 120 ° |
| Risk group | 0 |

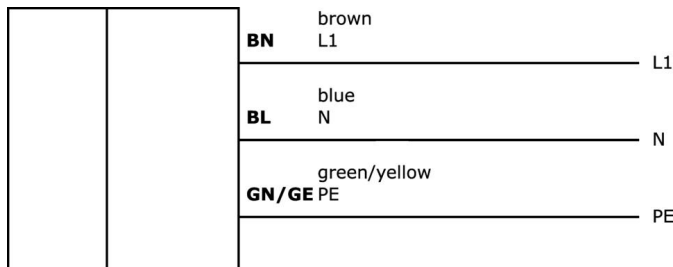
Classification

| | |
|--------|--------------------------------------|
| ETIM 8 | EC000348 Machine and workbench light |
|--------|--------------------------------------|

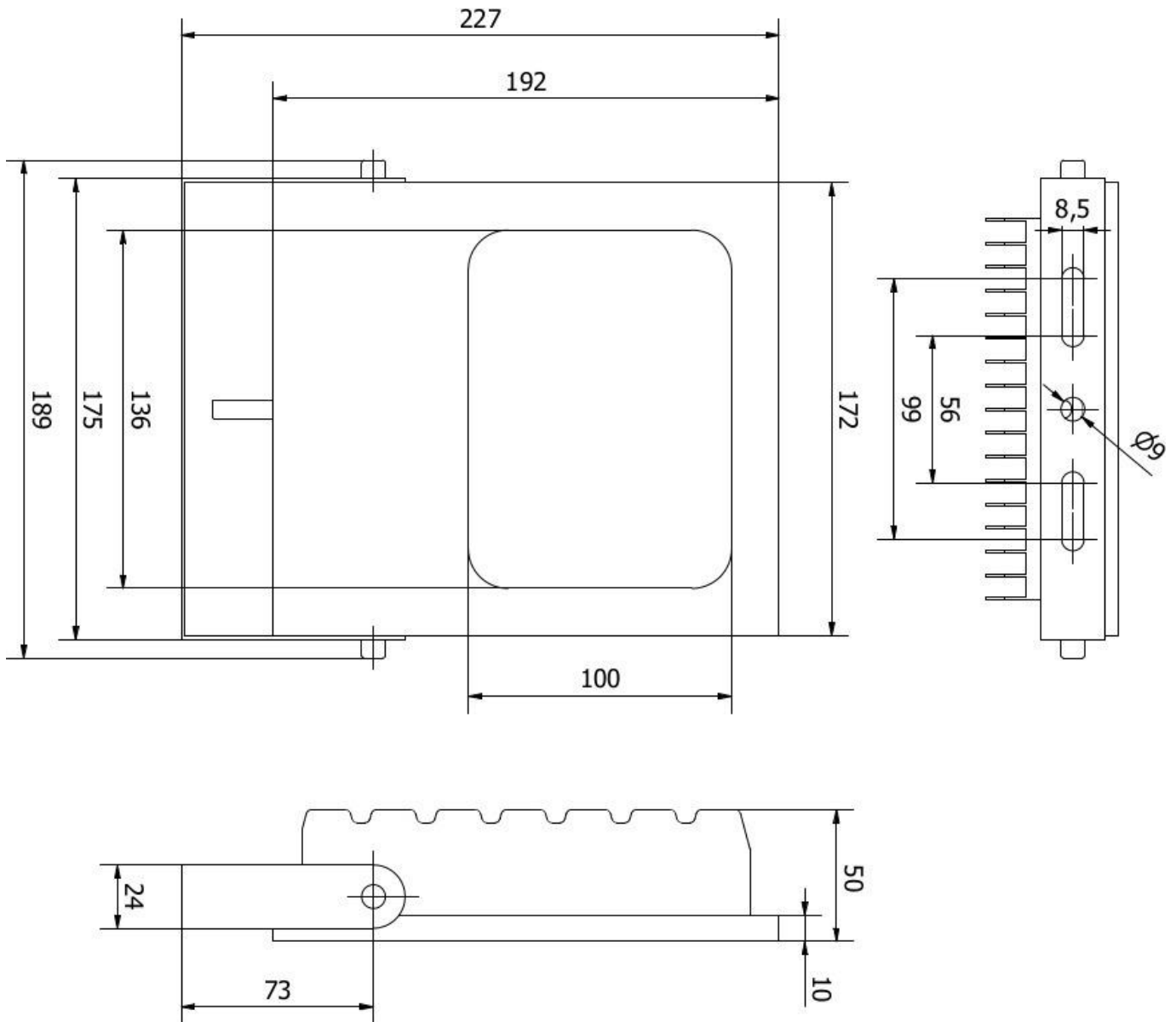
More

| | |
|-----------------------|-----------------------|
| IPF Product Group | 191 building lighting |
| packaging dimensions | 261 x 207 x 62 mm |
| gross weight | 979 g |
| Customs tariff number | 94054239 |
| WEEE number | 40951076 |
| POP-compliant | Yes |
| Reach-compliant | Yes |
| RoHS-compliant | Yes |

Connection



Dimensional drawing



Installation

Mounting / installation may only be carried out by a qualified electrician!



Disposal

WEEE number according to § 6 para. 3
ElektroG: 40951076

Safety warnings

- /** Before initial operation, please make sure to follow all safety instructions that may be provided in the product information.
- /** Never use these devices in applications where the safety of a person depends on their functionality.
- /** LED lighting systems can generate intensive UV radiation, which can damage your eyes in case of improper use. The manufacturer cannot be held responsible for damages that result from improper use or connection.