

EM410125

LED lights • Machine and bench lights

LED machine light, Ø40mm 1040long, white light, 48W, 6200lx, 5500K, 22-26V DC, -30-50°C, M12-connector 4-pin, IP67, aluminum+safety glass



No UV and IR radiation
Front screen made of toughened safety glass

The bright and flicker-free LED lights are suitable for tight installation spaces where harsh production conditions and temperatures of up to +60 °C prevail.

This is made possible by oil-resistant seals and 4 mm shatter-proof, opal white safety glass. The lights up also offer a degree of protection of IP69/IP69K.

They are chip-proof, vibration and shock-resistant and 100% CNC-compatible. The range of accessories includes various mounting brackets for secure installation.

Electrical features

Type of electrical connection	Connector M12
Rated operating current	2000 mA
Power	48 W
Luminous flux	5160 lm
Number of pins	4
Protection class	III
Operating voltage (DC)	21,6 - 26,4 V
ardSOCA_ElektrischerAnschluss	M12 4-pin plug connector
ardSOCA_Betriebsspannung	22-26VDC

Mechanical features

Design	Pipe
Diameter	40 mm
Length	1037 mm
Degree of protection (IP)	IP67
Front screen scattering behavior	diffuse
Housing material	Aluminum
Front screen material	Safety glass
Ambient temperature	-30 - 50 °C
ardSOCA_Abmessungen	Ø40mm, 1037mm long

Optical features

Illuminance at 500mm distance	6200 lx
Illumination in the center (distance 1 m)	1550 lx
Color temperature	5500 K
Lamp	LED
Light source	White light
Angle of beam spread	100 °
Risk group	0

Other features

Harsh environmental conditions	Yes
--------------------------------	-----

Classification

ETIM 8	EC000348 Machine and workbench light
--------	--------------------------------------

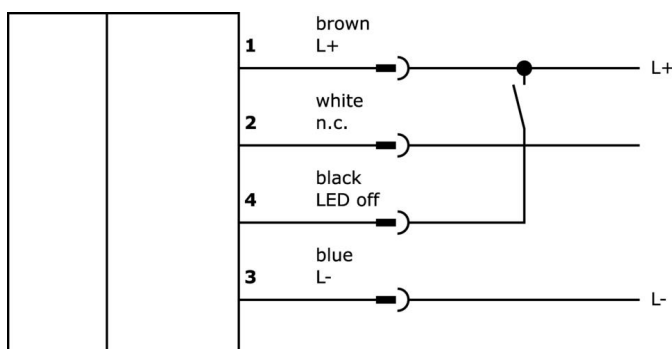
More

IPF Product Group	190 machine illuminations
packaging dimensions	1180 x 80 x 80 mm
gross weight	1530 g
Customs tariff number	94054239
WEEE number	40951076
Reach-compliant	Yes
RoHS-compliant	Yes

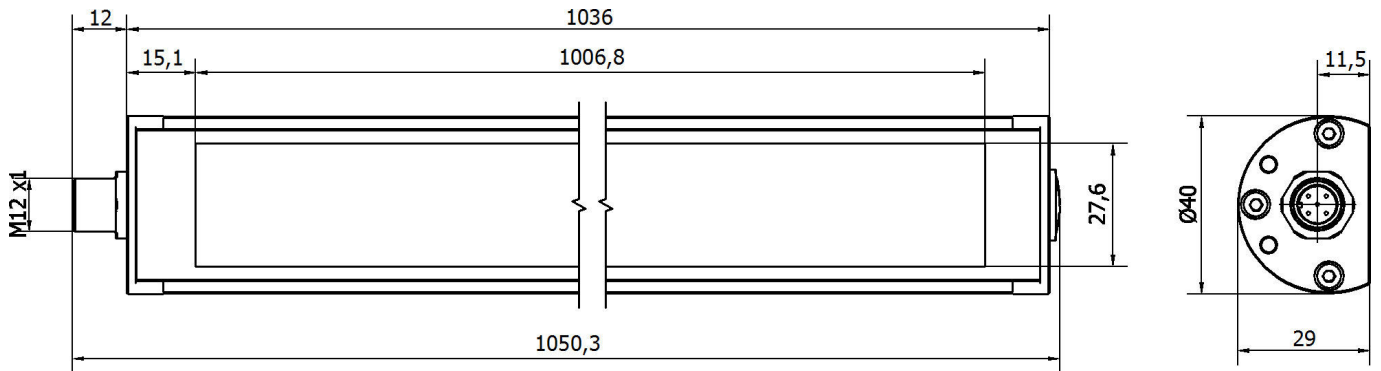
Important notes

/ The inputs at PIN 1 and 4 are exclusively OR-linked. If voltage is applied to only one PIN, the light is switched on. By wiring the other input, the light can be switched on and off with a low switching current.

Connection



Dimensional drawing



Extract accessories program

VK003021



Cable socket, Angular, Suitable for self-assembly, Screw connection, Ø3-6.5mm, 4A, 60V, -25-90°C, M12 Female (socket) 5pin, IP67, PBT

VK003025



Cable socket, Straight, Suitable for self-assembly, Screw connection, Ø3-6.5mm, 4A, 60V, -25-90°C, M12 Female (socket) 5pin, IP67, PBT

VK000037



Adaption, M12 Female (socket) 3pin Straight, M8 Male (connector) 3pin Straight, 24V, -25-85°C, IP67, Oil and cooling lubricants, Welding area

VK030F21



Connection cable, 0.3m, M12 socket 4-pin angular, M12 connector 4-pin straight, 4x0.34mm², 240V, IP67, suitable for trailing chain and torsion resistant, oils and cooling lubricants, welding area, silicone-free

VK030F25



Connection cable, 0.3m, M12 socket 4-pin straight, M12 connector 4-pin straight, 4x0.34mm², PUR (polyurethane), 240V, IP67, suitable for trailing chain and torsion resistant, oils and cooling lubricants, welding area, silicone-free

VK200321



Connection cable, 2m, M12 Female (socket) 4pin Angular, Free conductor end, 4x0.34mm², PUR (Polyurethane), Ø4.7mm, 250V, -40-90°C, IP67, Suitable for trailing chain and torsion resistant, Oil and cooling lubricants, Welding area, Silicone-free

VK200325



Connection cable, 2m, M12 Female (socket) 4pin Straight, Free conductor end, 4x0.34mm², PUR (Polyurethane), Ø4.7mm, 250V, -40-90°C, IP67, Suitable for trailing chain and torsion resistant, Oil and cooling lubricants, Welding area, Silicone-free

AE000011



Light up accessories, mounting bracket, M4x0.7 30 long, mounting material for light, bracket, stainless steel, 90°

AE000012



accessories lights, Mounting angle bracket, M4x0.7 30long, Mounting material for lights, brackets, Stainless steel, 90°

You can find further accessories on our homepage



Installation

Mounting / installation may only be carried out by a qualified electrician!



Disposal

WEEE number according to § 6 para. 3 ElektroG: 40951076

Safety warnings

- /** Before initial operation, please make sure to follow all safety instructions that may be provided in the product information.
- /** Never use these devices in applications where the safety of a person depends on their functionality.
- /** LED lighting systems can generate intensive UV radiation, which can damage your eyes in case of improper use. The manufacturer cannot be held responsible for damages that result from improper use or connection.