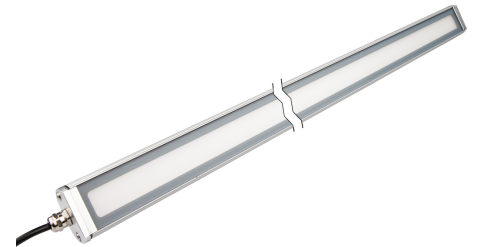


EM510101

LED lights • Machine and bench lights

LED machine light, 60x600x51mm, white light, 24W, 2800lx, 6000K, 24V DC, -30-50°C, cable tail PVC, IP67, aluminum+hard glass

including Mounting bracket



Luminaire holder included

These LED lights are robust and compact surface-mounted lights with high performance and the aluminum housing effectively dissipates heat. The lights can be used at ambient temperatures of up to 50 °C. The color temperature is 6,000 K. The use of SMD LEDs produces a uniform and flicker-free light. holders are included in the scope of delivery, which can be used to adjust the brackets to suit the light up.

Electrical features

Type of electrical connection	Cable
Rated operating current	1000 mA
Power	24 W
Luminous flux	2400 lm
Protection class	III
Operating voltage (DC)	24 V
ardSOCA_ElektrischerAnschluss	Cable tail 2-core 1m
ardSOCA_Betriebsspannung	24VDC
ardTEEL_Schutzfunktionen	Verpolungsschutz

Mechanical features

Number of cores	2
Design	Cuboid
Width	51 mm
Height	60 mm
Cable length	1 m
Length	600 mm
Degree of protection (IP)	IP67
Front screen scattering behavior	diffuse
Housing material	Aluminum
Material of cable sheath	Plastic (PVC)
Front screen material	Hard glass
Ambient temperature	-30 - 50 °C
ardSOCA_Abmessungen	600x51x60mm

Optical features

Illuminance at 500mm distance	2800 lx
Illumination in the center (distance 1 m)	700 lx
Color temperature	6000 K
Light source	White light
Risk group	0

Other features

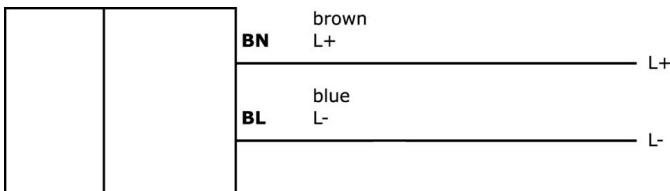
Harsh environmental conditions	Yes
--------------------------------	-----

Classification

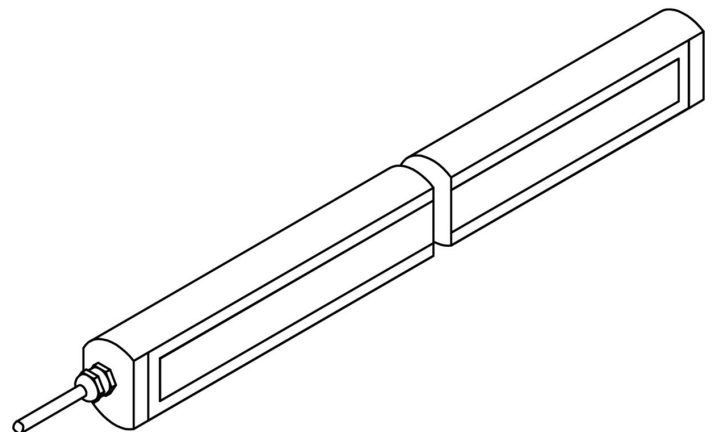
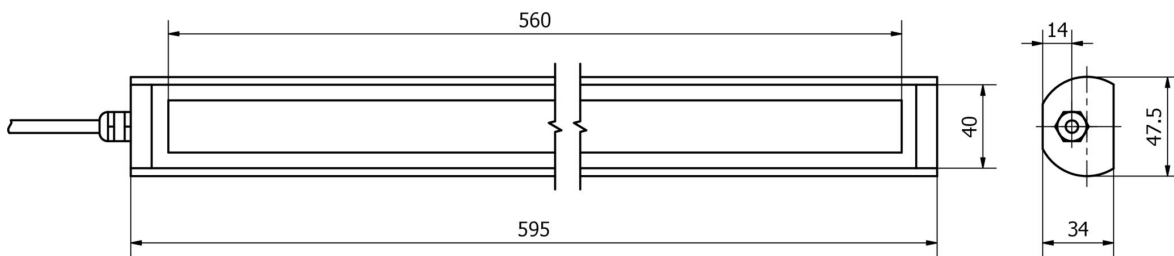
ETIM 8	EC000348 Machine and workbench light
--------	--------------------------------------

More

IPF Product Group	190 machine illuminations
packaging dimensions	640 x 70 x 65 mm
gross weight	989 g
Customs tariff number	94054239
WEEE number	40951076
Reach-compliant	Yes
RoHS-compliant	Yes

Connection

Dimensional drawing



Extract accessories program

NG400501



DC power supply, 1-phase,
125x114x40mm, 24-28V, 5A, 90-
264V AC 50Hz, 90-264V AC 60Hz,
127-370V DC, screw connection,
IP20, aluminum, stabilized, pulsed
output voltage

You can find further accessories on our homepage



Installation

Mounting / installation may only be carried out by a qualified electrician!



Disposal

WEEE number according to § 6 para. 3
ElektroG: 40951076

Safety warnings

/ Before initial operation, please make sure to follow all safety instructions that may be provided in the product information.

/ Never use these devices in applications where the safety of a person depends on their functionality.

/ LED lighting systems can generate intensive UV radiation, which can damage your eyes in case of improper use. The manufacturer cannot be held responsible for damages that result from improper use or connection.