

EM900170

LED lights • Machine and bench lights

LED machine light, 14x90x32mm, white light, 4W, 750lx, 5000K, 22-28V DC, M8 connector 3-pin, IP67, aluminum+acrylic glass



Increased resistance to cooling lubricants Compact design

These extremely resilient lights offer the optimum combination of brightness, power, design and degree of protection. As they are resistant to the most common coolants and lubricants, they can be used in harsh environments.

Electrical features

Type of electrical connection	Connector M8
Rated operating current	167 mA
Power	4 W
Luminous flux	600 lm
Number of pins	3
Protection class	III
Reverse polarity protection	Yes
Operating voltage (DC)	22 - 28 V
ardSOCA_ElektrischerAnschluss	M8 3-pin plug connector
ardTEEL_Lichtausbeute	150 lm/W
ardSOCA_Betriebsspannung	22-28VDC

Mechanical features

Design	Cuboid
Width	32 mm
Height	14 mm
Length	90 mm
Degree of protection (IP)	IP67
Front screen scattering behavior	diffuse
Housing material	Aluminum
Front screen material	Acrylic glass
Ambient temperature	-10 - 40 °C
ardSOCA_Abmessungen	90x32x14mm

Optical features

Illuminance at 500mm distance	750 lx
Illumination in the center (distance 1 m)	200 lx
Color temperature	5000 K
Lamp	LED
Light source	White light
Angle of beam spread	120 °
Risk group	0

Other features

Harsh environmental conditions	Yes
--------------------------------	-----

Classification

ETIM 8	EC000348 Machine and workbench light
--------	--------------------------------------

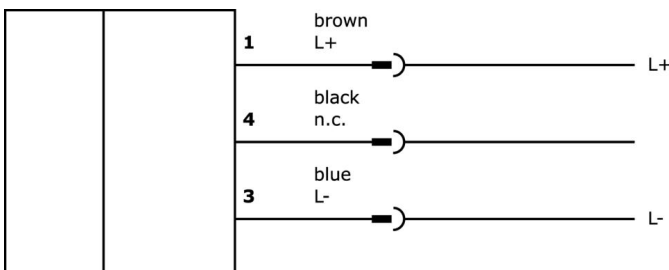
More

IPF Product Group	190 machine illuminations
packaging dimensions	115 x 100 x 65 mm
gross weight	115 g
Customs tariff number	94054239
WEEE number	40951076
Reach-compliant	Yes
RoHS-compliant	Yes

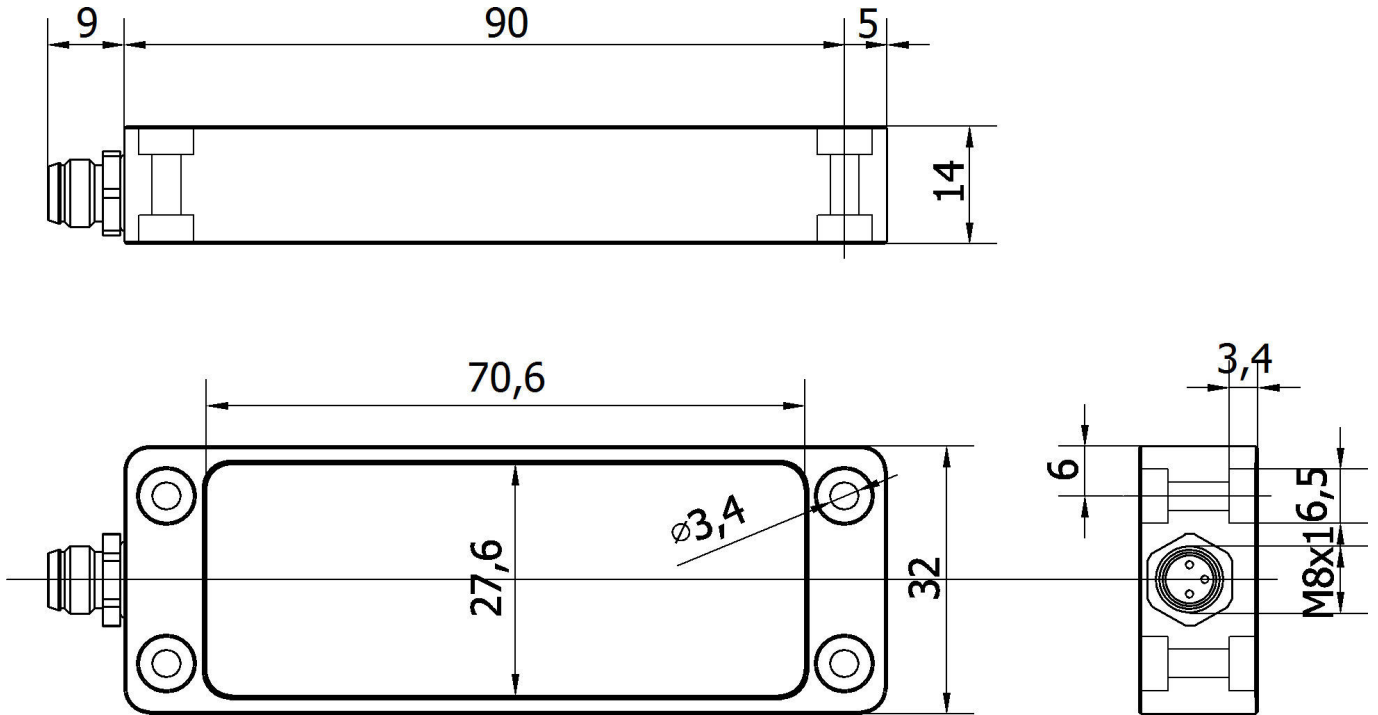
Important notes

/ This item generates heat, which has a direct impact on its service life. Temperature generation can be reduced by mounting on a heat conducting surface.

Connection



Dimensional drawing



Extract accessories program

NG400501



DC power supply, 1-phase, 125x114x40mm, 24-28V, 5A, 90-264V AC 50Hz, 90-264V AC 60Hz, 127-370V DC, screw connection, IP20, aluminum, stabilized, pulsed output voltage

VY062174



Switch, 0.6m, M8 Female (socket) 3pin Straight, M8 Male (connector) 3pin Straight, 3x0.34mm², PUR (Polyurethane), $\varnothing 4$.3mm, 60V, IP20

VK030F80



Connection cable, 0.3m, M8 socket 3-pin angular, M12 connector 3-pin straight, 3x0.34mm², PUR (polyurethane), 60V, IP67, suitable for trailing chain and torsion resistant, oils and cooling lubricants, welding area, silicone-free

VK030F84



Connection cable, 0.3m, M8 socket 3-pin straight, M12 connector 3-pin straight, 3x0.34mm², PUR (polyurethane), 60V, IP67, suitable for trailing chain and torsion resistant, oils and cooling lubricants, welding area, silicone-free

VK030F70



Connection cable, 0.3m, M8 socket 3-pin angular, M8 connector 3-pin straight, 3x0.34mm², PUR (polyurethane), 60V, IP67, suitable for trailing chain and torsion resistant, oils and cooling lubricants, welding area, silicone-free

VK030F74



Connection cable, 0.3m, M8 socket 3-pin straight, M8 connector 3-pin straight, 3x0.34mm², PUR (polyurethane), 60V, IP67, suitable for trailing chain and torsion resistant, oils and cooling lubricants, welding area, silicone-free

VK200071



Connection cable, 2m, M8 Female (socket) 3pin Angular, Free conductor end, 3x0.34mm², PUR (Polyurethane), $\varnothing 4$.3mm, 60V, -40-90°C, IP67, TPU, Suitable for trailing chain and torsion resistant, Oil and cooling lubricants, Welding area, Silicone-free

VK200075



Connection cable, 2m, M8 female (socket) 3pin Straight, free conductor end, 3x0.34mm², PUR (Polyurethane), $\varnothing 4$.3mm, 60V, -30-90°C, IP67, suitable for trailing chain and torsion resistant, oil and cooling lubricants, welding area, Silicone-free

VK003070



Cable socket, Angular, Suitable for self-assembly, Soldering connection, $\varnothing 3$.5-5mm, 4A, 60V, -40-85°C, M8 Female (socket) 3pin, IP67, Brass

You can find further accessories on our homepage

**Installation**

Mounting / installation may only be carried out by a qualified electrician!

**Disposal**

WEEE number according to § 6 para. 3
ElektroG: 40951076

Safety warnings

- / Before initial operation, please make sure to follow all safety instructions that may be provided in the product information.
- / Never use these devices in applications where the safety of a person depends on their functionality.
- / LED lighting systems can generate intensive UV radiation, which can damage your eyes in case of improper use. The manufacturer cannot be held responsible for damages that result from improper use or connection.