

EM970120

LED lights • Machine and bench lights

LED machine light, recessed light, 132x336x39mm, white light, 19W, 4246lx, 5500K, 22-26V DC, -30-60°C, M12-connector 3-pin, IP67/IP69K, aluminum+safety glass



/ Anti-glare due to microprisms

Operating temperature up to 60°C
Front screen made of toughened safety glass

These powerful machine lights are made for harsh environments. Chips, oil and liquids cannot harm them. Microprisms under the single-pane safety glass ensure homogeneous, flicker-free illumination without UV and IR components. The sealed aluminum housing in combination with the safety glass ensures a high degree of protection. Ideal for machine tools. Chip, vibration and shock resistant - thermally robust for demanding CNC environments. Maximum protection: IP67/IP69K - dustproof and hoseproof

Electrical features

Type of electrical connection	Connector M12
Rated operating current	791 mA
Power	19 W
Luminous flux	3000 lm
Number of pins	3
Protection class	III
Operating voltage (DC)	21,6 - 26,4 V
ardSOCA_ElektrischerAnschluss	M12 3-pin plug connector
ardTEEL_Lichtausbeute	155 lm/W
ardSOCA_Betriebsspannung	22-26VDC

Mechanical features

Design	Cuboid
Width	132 mm
Light field width	70 mm
Height	29.9 mm
Length	336 mm
Light field length	238 mm
Degree of protection (IP)	IP67 / IP69k
Front screen scattering behavior	diffuse
Housing material	Aluminum
Front screen material	Safety glass
Ambient temperature	-30 - 60 °C
ardSOCA_Abmessungen	336x132x35.6mm
ardTEME_Schockfestigkeit_Enum	50g [11ms] (EN/IEC 60068-2-27)

Optical features

Illuminance at 500mm distance	4246 lx
Illumination in the center (distance 1 m)	1062 lx
Color temperature	5700 K
Lamp	LED
Light source	White light
Angle of beam spread	100 °
Risk group	0
ardTEOP_Farbwiedergabeindex	>85

Other features

Average nominal service life	100000 h
Harsh environmental conditions	Yes

Classification

ETIM 8

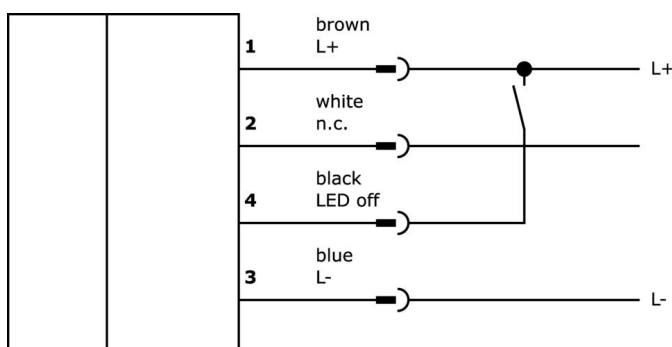
More

IPF Product Group	190 machine illuminations
packaging dimensions	
gross weight	
Customs tariff number	94054239
WEEE number	40951076
Reach-compliant	Yes
RoHS-compliant	Yes

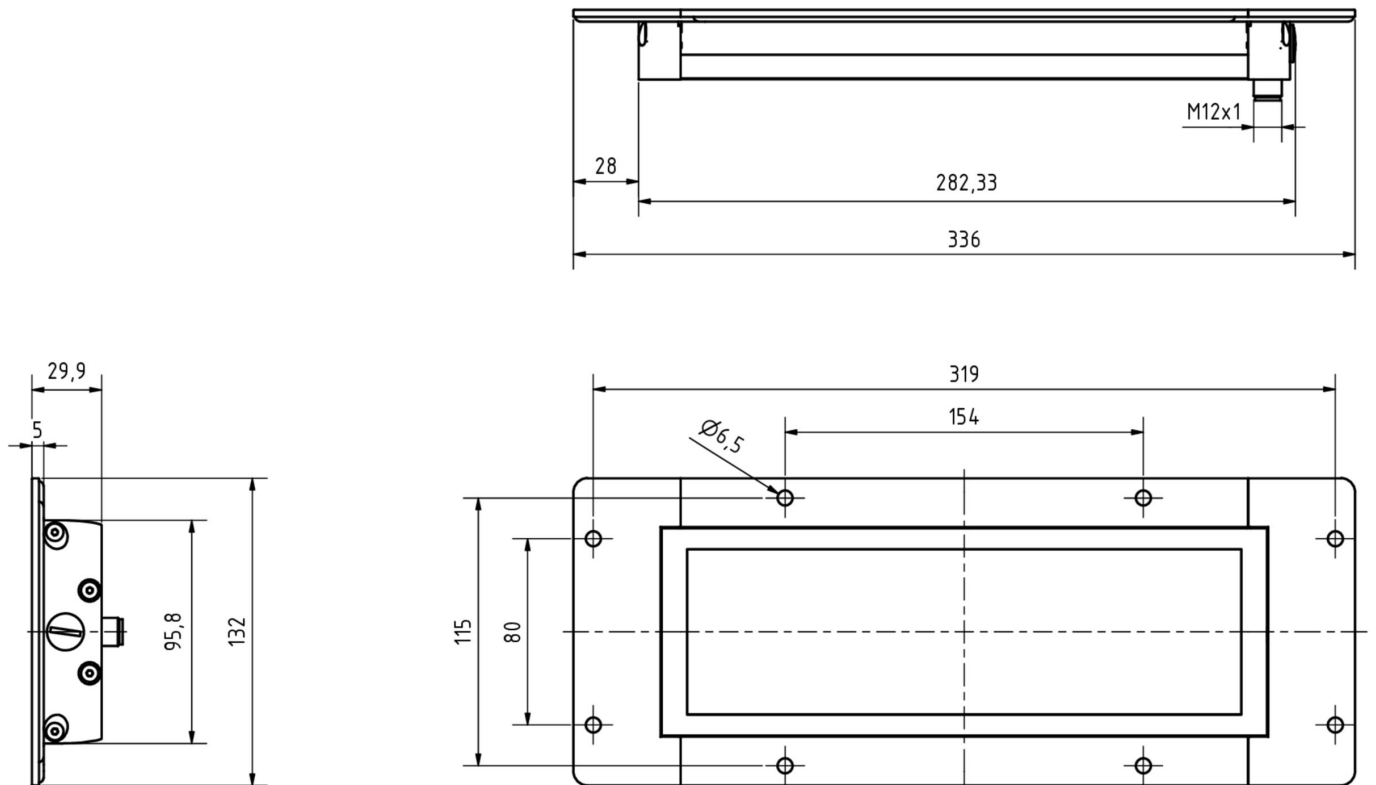
Important notes

/ The inputs at PIN 1 and 4 are exclusively OR-linked. If voltage is applied to only one PIN, the light is switched on. By wiring the other input, the light can be switched on and off with a low switching current.

Connection



Dimensional drawing



Installation

Mounting / installation may only be carried out by a qualified electrician!



Disposal

WEEE number according to § 6 para. 3
ElektroG: 40951076

Safety warnings

- /** Before initial operation, please make sure to follow all safety instructions that may be provided in the product information.
- /** Never use these devices in applications where the safety of a person depends on their functionality.
- /** LED lighting systems can generate intensive UV radiation, which can damage your eyes in case of improper use. The manufacturer cannot be held responsible for damages that result from improper use or connection.