

## ER1D0120

### camera additional lighting • Ring lights

LED ring light, Ø130mm, white light, 16W, 5000K, M12-connector 5-pin, IP54, aluminum+PMMA



### High light output due to High Power LED`s

Selecting the right illumination is essential for all types of inspection tasks with a camera sensor, as only high-contrast images can be reproducibly evaluated. And illumination has a decisive influence here. The selection depends on various factors such as the distance to the test object, its size, the component criterion to be tested or the expected environmental conditions. Ring lights provide a direct, focused incident light that is particularly suitable for round test objects as it does not produce any hard object shadows.

Lights are available with different diameters of the lens aperture, different light colors and outputs. The internal flash controller enables flash operation of the lights up, which may be required for short exposure times of the camera systems.

#### Electrical features

Type of electrical connection	Connector M12
Rated operating current	900 mA
Flash controller	internal
Power	16 W
Max. peak current	3600 mA
Number of pins	5
Protection class	III
Reverse polarity protection	Yes
Operating voltage (DC)	22,8 - 25,2 V
Integrated flash controller for external illumination	Yes
ardSOCA_ElektrischerAnschluss	M12 5-pin plug connector
ardSOCA_Betriebsspannung	23-25VDC

**Mechanical features**

Width	130 mm
Height	14 mm
Inner diameter	80 mm
Length	141 mm
Degree of protection (IP)	IP54
Front screen scattering behavior	clear
Housing material	Aluminum
Front screen material	Polymethyl methacrylate
Opening diameter	80 mm
Working distance range	250 - 750 mm
Ambient temperature	10 - 30 °C
ardSOCA_Abmessungen	141x130x14mm

**Optical features**

Color temperature	5000 K
Lamp	LED
Light source	White light
Angle of beam spread	20 °
Risk group	2

**Other features**

Features	with lens feed-through
Relative air humidity (non-condensing)	30 - 70 %
Operational mode	Permanent operation   Switching operation   Flash operation
Changeable fronts	Yes

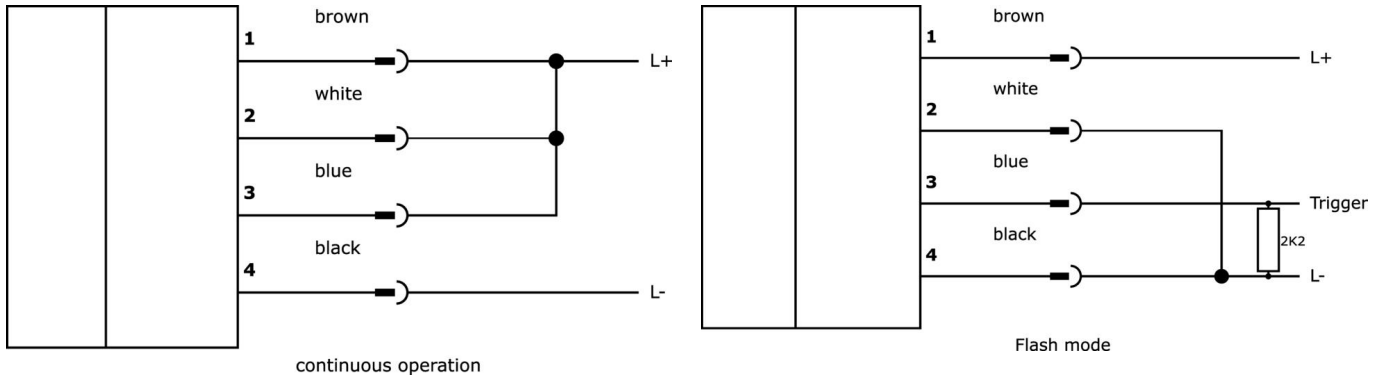
**Classification**

ETIM 8	EC000348 Machine and workbench light
--------	--------------------------------------

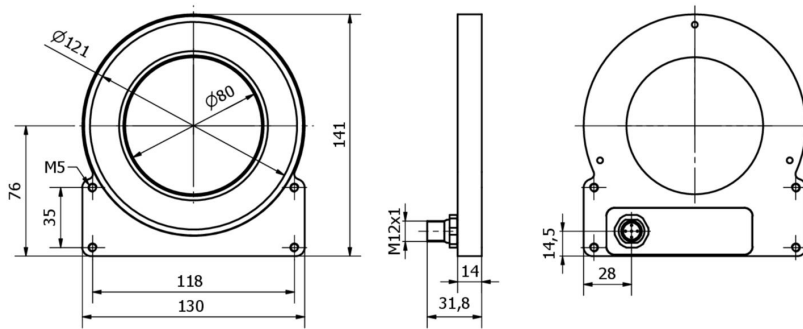
**More**

IPF Product Group	915 camera illumination
packaging dimensions	290 x 230 x 61 mm
gross weight	451 g
Customs tariff number	94054239
WEEE number	40951076
Reach-compliant	Yes
RoHS-compliant	Yes

**Connection**



**Dimensional drawing**



**Extract accessories program**

**AO000653**



Accessories Optical, mounting bracket, 134x49x36mm, anodized aluminum

**AO000654**



Accessories Optical, mounting bracket, 130x66x61,5mm, anodized aluminum

**VK200321**



Connection cable, 2m, M12 Female (socket) 4pin Angular, Free conductor end, 4x0.34mm<sup>2</sup>, PUR (Polyurethane), Ø4.7mm, 250V, -40-90°C, IP67, Suitable for trailing chain and torsion resistant, Oil and cooling lubricants, Welding area, Silicone-free

**VK200325**



Connection cable, 2m, M12 Female (socket) 4pin Straight, Free conductor end, 4x0.34mm<sup>2</sup>, PUR (Polyurethane), Ø4.7mm, 250V, -40-90°C, IP67, Suitable for trailing chain and torsion resistant, Oil and cooling lubricants, Welding area, Silicone-free

**AO000668**



Accessories Optical, holder, plastic

**VK06F003**



Line for camera lighting in continuous operation on OC53 with internal flash controller, 0.6m, M8 connector 4-pin straight, M12 socket 4-pin straight, 4-wire

**VK06F004**



Line for camera lighting in flash mode on OC53 with internal flash controller, 0.6m, M8 connector 4-pin straight, M12 socket 4-pin straight, 4-wire

You can find further accessories on our homepage



**Installation**

Mounting / installation may only be carried out by a qualified electrician!



**Disposal**

WEEE number according to § 6 para. 3 ElektroG: 40951076

**Safety warnings**

/ Before initial operation, please make sure to follow all safety instructions that may be provided in the product information.

/ Never use these devices in applications where the safety of a person depends on their functionality.

/ LED lighting systems can generate intensive UV radiation, which can damage your eyes in case of improper use. The manufacturer cannot be held responsible for damages that result from improper use or connection.