

ER1D7130

camera additional lighting • Ring lights

LED ring light, Ø130mm, 4 segments, white light, 15W, 5000K, M12-connector 8-pin, IP54, aluminum+PMMA



**Suitable for the creation of height images (Shape from Shading)
Operation only possible with external flash controller**

For inspection tasks of any kind with a camera sensor, the selection of the right illumination is essential, since only high-contrast images can be reproducibly evaluated. And here the illumination has the decisive influence. The selection depends on various factors such as the distance to the test object, its size, the component criterion to be tested or the expected environmental conditions.

Electrical features

Type of electrical connection	Connector M12
Rated operating current	900mA
Flash controller	Required
Power	15W
Max. peak current	3600mA
Number of pins	8
Protection class	III
Reverse polarity protection	Unknown
Operating voltage (DC)	22,8 - 25,2V

Mechanical features

Width	130mm
Height	14mm
Inner diameter	80mm
Length	141mm
Degree of protection (IP)	IP54
Front screen scattering behavior	clear
Housing material	Aluminum
Front screen material	Polymethyl methacrylate
Opening diameter	80mm
Working distance range	75 - 200mm
Ambient temperature	10 - 30°C

Optical features

Lamp	LED
Light source	White light
Angle of beam spread	80°

Other features

Features	with lens feed-through
Relative air humidity (non-condensing)	30 - 70%
Risk group	1
Operational mode	Permanent operation Switching operation Flash operation
Changeable fronts	Yes

Classification

ETIM 8	EC000348 Machine and workbench light
--------	--------------------------------------

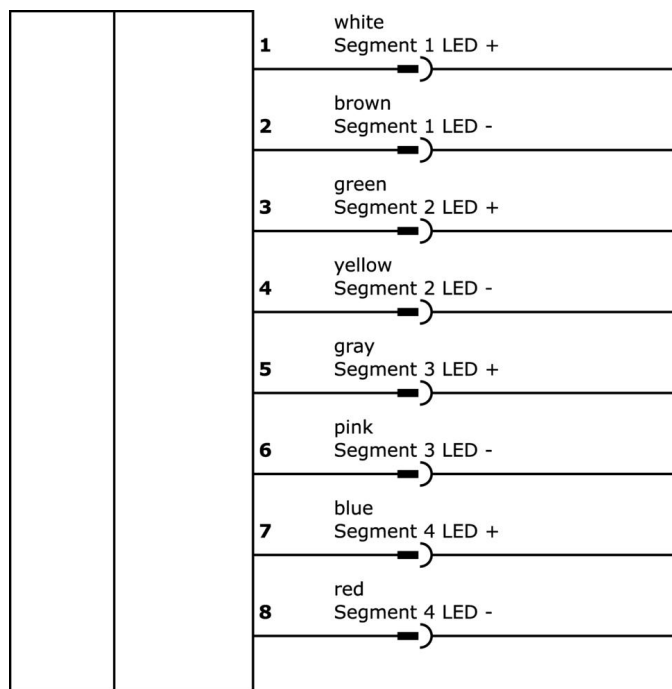
More

IPF Product Group	915 camera illumination
packaging dimensions	185 x 165 x 85 mm
gross weight	386 g
Customs tariff number	94054239
WEEE number	40951076
Reach-compliant	Yes
RoHS-compliant	Yes

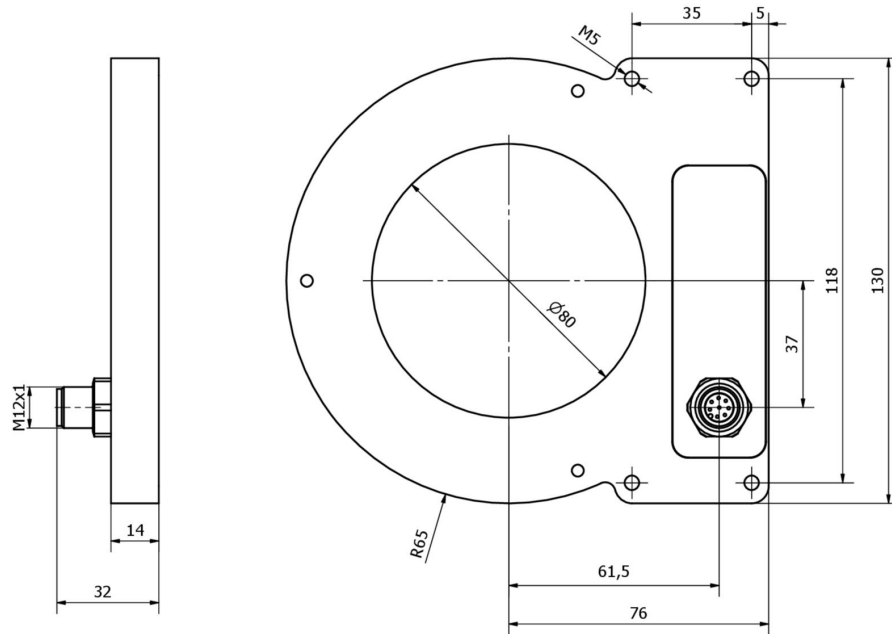
Important notes

/ Es obligatorio un controlador LED para el funcionamiento. Una alimentación directa con 24VDC destruirá la luminaria.

Connection



Dimensional drawing



Extract accessories program

AO000653



Accessories Optical, mounting bracket, 134x49x36mm, anodized aluminum

AO000654



Accessories Optical, mounting bracket, 130x66x61,5mm, anodized aluminum

VK205A21



Connection cable, 2m, M12 Female (socket) 8pin Angular, Free conductor end, 8x0.25mm², PUR (Polyurethane), Ø6.6mm, 30V, -25-90°C, IP67, Shielded, Suitable for trailing chain and torsion resistant, Oil and cooling lubricants, Welding area, Silicone..

VK205A25



Connection cable, 2m, M12 Female (socket) 8pin Straight, Free conductor end, 8x0.25mm², PUR (Polyurethane), Ø6.6mm, 30V, -25-90°C, IP67, Shielded, Suitable for trailing chain and torsion resistant, Oil and cooling lubricants, Welding area, Silicon...

VK200A25



Connection cable, 2m, M12 Female (socket) 8pin Straight, Free conductor end, 8wire, PUR (Polyurethane), Ø5.9mm, Suitable for trailing chain and torsion resistant, Oil and cooling lubricants, Welding area, Silicone-free

VK500A25



Connection cable, 5m, M12 Female (socket) 8pin Straight, Free conductor end, 8wire, PUR (Polyurethane), Ø5.9mm, Suitable for trailing chain and torsion resistant, Oil and cooling lubricants, Welding area, Silicone-free

AO000668



Accessories Optical, holder, plastic

AO000655



Flash controller, 80x96.3x53.8mm, 4 channels, 12-26V diagnostic coverage, terminals, RJ45, Modbus TCP software, LED display

You can find further accessories on our homepage

Installation

Mounting / installation may only be carried out by a qualified electrician!

Disposal

Safety warnings

- / Before initial operation, please make sure to follow all safety instructions that may be provided in the product information.
- / Never use these devices in applications where the safety of a person depends on their functionality.
- / LED lighting systems can generate intensive UV radiation, which can damage your eyes in case of improper use. The manufacturer cannot be held responsible for damages that result from improper use or connection.