

ER437170

camera additional lighting • Ring lights

LED ring light, Ø45mm, white light, 9.6W, 7300K, IP64, aluminum+PMMA, mounting on lenses



Suitable for continuous and flash operation

Selecting the right illumination is essential for all types of inspection tasks with a camera sensor, as only high-contrast images can be reproducibly evaluated. And illumination has a decisive influence here. The selection depends on various factors such as the distance to the test object, its size, the component criterion to be tested or the expected environmental conditions. Ring lights provide a direct, focused incident light that is particularly suitable for round test objects as it does not produce any hard object shadows.

Lights are available with different diameters of the lens aperture, different light colors and outputs. The internal flash controller enables flash operation of the lights up, which may be required for short exposure times of the camera systems.

Electrical features

Type of electrical connection	Cable connector M8
Rated operating current	400 mA
Flash controller	No
Power	9.6 W
Number of pins	4
Protection class	III
Operating voltage (DC)	19 - 30 V

Mechanical features

Diameter	45 mm
Height	12.8 mm
Inner diameter	24 mm
Cable length	1 m
Degree of protection (IP)	IP64
Front screen scattering behavior	clear
Housing material	Aluminum
Front screen material	Polymethyl methacrylate
Ambient temperature	5 - 45 °C

Optical features

Number of LEDs	16
Color temperature	7300 K
Lamp	LED
Light source	White light
Angle of beam spread	80 °
Risk group	0

Other features

Operational mode	Flash operation
Mounting on lenses	Yes

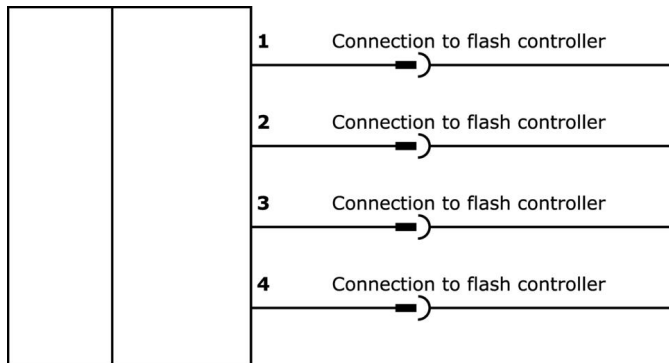
Classification

ETIM 8	EC000348 Machine and workbench light
--------	--------------------------------------

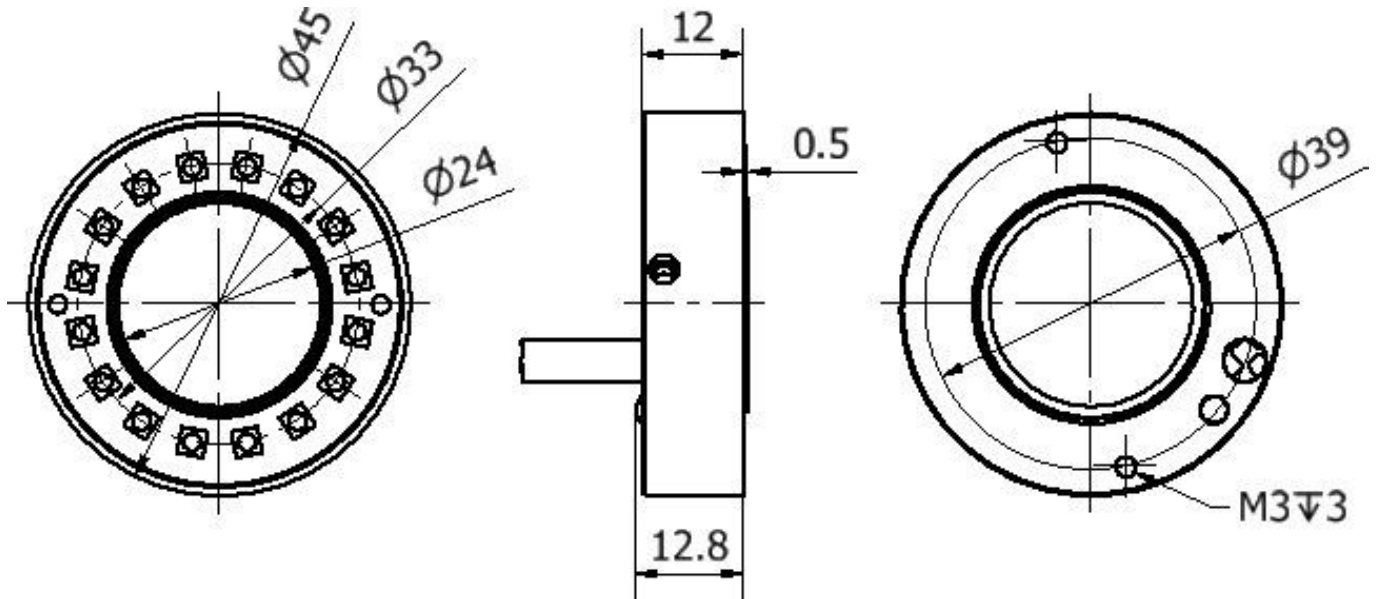
More

IPF Product Group	915 camera illumination
packaging dimensions	155 x 105 x 60 mm
gross weight	128 g
Customs tariff number	94054239
WEEE number	40951076
Reach-compliant	Yes
RoHS-compliant	Yes

Connection



Dimensional drawing



Extract accessories program

AV000142



accessories cable socket,
Mounting clip, 8.5mm, PPO,
Packaging unit 5, Accessories for
Cable socket/connector M8

AE000018



accessories lights, Adapter ring,
M30.5x0.5, Aluminum, Black

AE000028



accessories lights, Protective
shield, Glass

VK200371



Connection cable, 2m, M8 Female
(socket) 4pin Angular, Free
conductor end, 4x0.34mm², PUR
(Polyurethane), Ø4.7mm, 30V, -
30-90°C, IP67, Suitable for trailing
chain and torsion resistant, Oil and
cooling lubricants, Welding area,
Silicone-free

VK200375



Connection cable, 2m, M8 Female
(socket) 4pin Straight, Free
conductor end, 4x0.34mm², PUR
(Polyurethane), Ø4.7mm, 30V, -
30-90°C, IP67, Suitable for trailing
chain and torsion resistant, Oil and
cooling lubricants, Welding area,
Silicone-free

VK003071



Cable socket, Angular, Suitable for
self-assembly, Soldering
connection, Ø3.5-5mm, 4A, 30V, -
40-85°C, M8 Female (socket) 4pin,
IP67, Brass

VK003075



Cable socket, Straight, Suitable for
self-assembly, Soldering
connection, Ø3.5-5mm, 4A, 30V, -
40-85°C, M8 Female (socket) 4pin,
IP67, Brass

You can find further accessories on our homepage



Installation

Mounting / installation may only be carried
out by a qualified electrician!



Disposal

WEEE number according to § 6 para. 3
ElektroG: 40951076

Safety warnings

- /** Before initial operation, please make sure to follow all safety instructions that may be provided in the product information.
- /** Never use these devices in applications where the safety of a person depends on their functionality.
- /** LED lighting systems can generate intensive UV radiation, which can damage your eyes in case of improper use. The manufacturer cannot be held responsible for damages that result from improper use or connection.