

ER700670

camera additional lighting • Ring lights

LED ring light, Ø80mm, blue light, 6W, 465 nm, M8 connector 4-pin, IP54, aluminum+PMMA



Suitable for continuous and flash operation

Selecting the right illumination is essential for all types of inspection tasks with a camera sensor, as only high-contrast images can be reproducibly evaluated. And illumination has a decisive influence here. The selection depends on various factors such as the distance to the test object, its size, the component criterion to be tested or the expected environmental conditions. Ring lights provide a direct, focused incident light that is particularly suitable for round test objects as it does not produce any hard object shadows.

Lights are available with different diameters of the lens aperture, different light colors and outputs. The internal flash controller enables flash operation of the lights up, which may be required for short exposure times of the camera systems.

Electrical features

Type of electrical connection	Connector M8
Rated operating current	300 mA
Flash controller	internal
Power	6 W
Max. peak current	1200 mA
Number of pins	4
Protection class	III
Operating voltage (DC)	22,8 - 25,2 V
ardSOCA_ElektrischerAnschluss	M8 4-pin plug connector
ardSOCA_Betriebsspannung	23-25VDC

Mechanical features

Design	Round
Width	80 mm
Height	12 mm
Inner diameter	45 mm
Length	92 mm
Degree of protection (IP)	IP54
Front screen scattering behavior	diffuse
Housing material	Aluminum
Front screen material	Polymethyl methacrylate
Working distance range	75 - 200 mm
Ambient temperature	10 - 30 °C
ardSOCA_Abmessungen	92x80x12mm

Optical features

Lamp	LED
Light source	Blue light
Wavelength of the sensor	465 nm
Risk group	1

Other features

Operational mode	Flash operation Permanent operation Switching operation
------------------	---

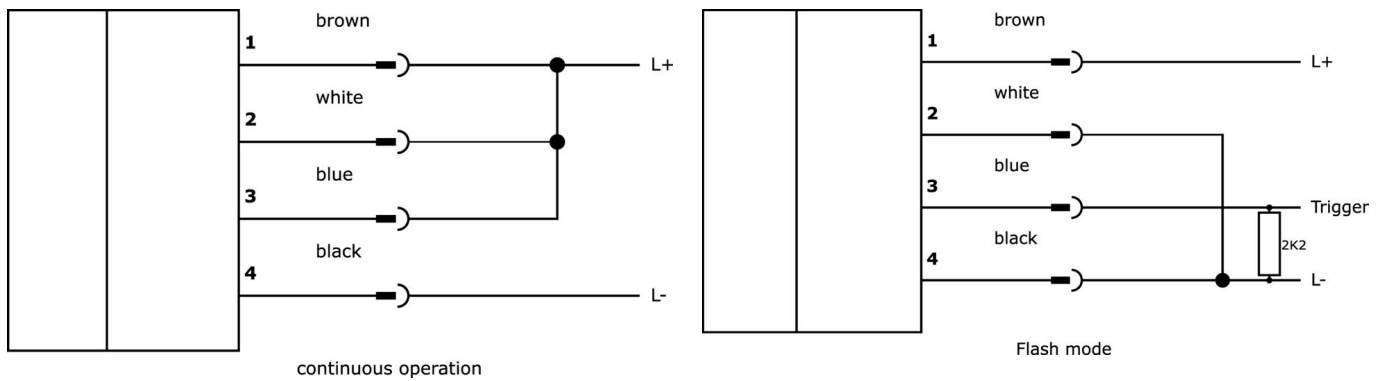
Classification

ETIM 8	EC000348 Machine and workbench light
--------	--------------------------------------

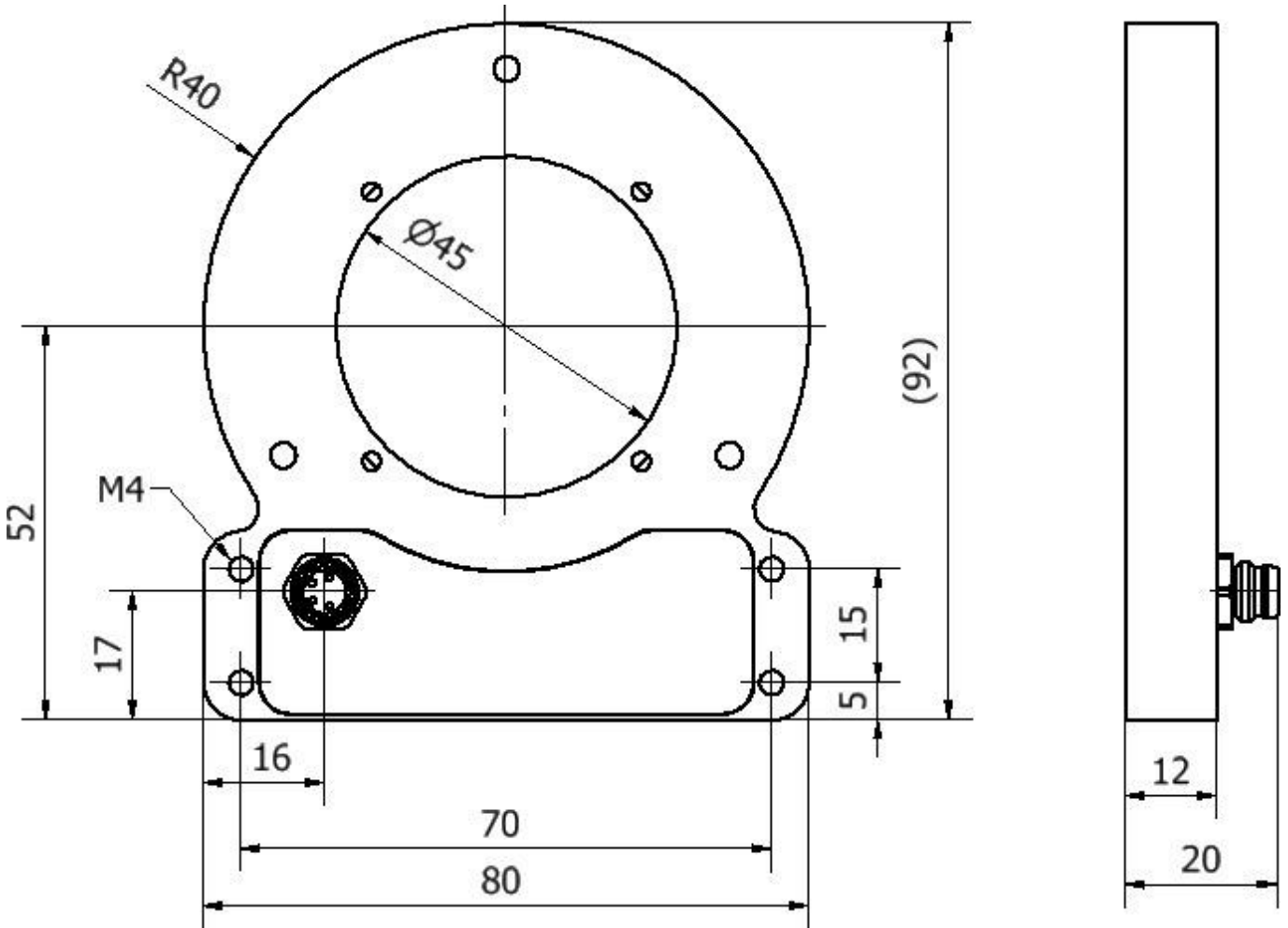
More

IPF Product Group	915 camera illumination
packaging dimensions	160 x 99 x 60 mm
gross weight	161 g
Customs tariff number	94054239
WEEE number	40951076
Reach-compliant	Yes
RoHS-compliant	Yes

Connection



Dimensional drawing



Extract accessories program

VK200371



Connection cable, 2m, M8 Female (socket) 4pin Angular, Free conductor end, 4x0.34mm², PUR (Polyurethane), Ø4.7mm, 30V, -30-90°C, IP67, Suitable for trailing chain and torsion resistant, Oil and cooling lubricants, Welding area, Silicone-free

VK200375



Connection cable, 2m, M8 Female (socket) 4pin Straight, Free conductor end, 4x0.34mm², PUR (Polyurethane), Ø4.7mm, 30V, -30-90°C, IP67, Suitable for trailing chain and torsion resistant, Oil and cooling lubricants, Welding area, Silicone-free

VK030F71



Connection cable, 0.3m, M8 socket 4-pin angular, M8 connector 4-pin straight, 4-core, PUR (polyurethane), suitable for trailing chain and torsion resistant, oils and cooling lubricants, welding area, silicone-free

VK030F75



Connection cable, 0.3m, M8 socket 4-pin straight, M8 connector 4-pin straight, 4-core, PUR (polyurethane), suitable for trailing chain and torsion-resistant, oils and cooling lubricants, welding area, silicone-free

VK06F001



Line for camera lighting in continuous operation on OC53 with internal flash controller, 0.6m, M8 socket 4-pin straight, M8 connector 4-pin straight, 4-wire

VK06F002



Line for camera lighting in flash mode to OC53 with internal flash controller, 0.6m, M8 socket 4-pin straight, M8 connector 4-pin straight, 4-wire

AO000667



Accessories Optical, holder, plastic

You can find further accessories on our homepage



Installation

Mounting / installation may only be carried out by a qualified electrician!



Disposal

WEEE number according to § 6 para. 3 ElektroG: 40951076

Safety warnings

/ Before initial operation, please make sure to follow all safety instructions that may be provided in the product information.

/ Never use these devices in applications where the safety of a person depends on their functionality.

/ LED lighting systems can generate intensive UV radiation, which can damage your eyes in case of improper use. The manufacturer cannot be held responsible for damages that result from improper use or connection.