

## ER948170

### camera additional lighting • Ring lights

LED ring light, Ø94mm, white light, 6100K, 13.4W, M8 cable connector 4-pin, IP00, aluminum



### For flash operation on OC53 with internal flash controller

Selecting the right illumination is essential for all types of inspection tasks with a camera sensor, as only high-contrast images can be reproducibly evaluated. And illumination has a decisive influence here. The selection depends on various factors such as the distance to the test object, its size, the component criterion to be tested or the expected environmental conditions. Ring lights provide a direct, focused incident light that is particularly suitable for round test objects as it does not produce any hard object shadows.

Lights are available with different diameters of the lens aperture, different light colors and outputs. The internal flash controller enables flash operation of the lights up, which may be required for short exposure times of the camera systems.

#### Electrical features

Type of electrical connection	Cable connector M8
Rated operating current	560 mA
Flash controller	internal
Power	13.4 W
Max. peak current	1400 mA
Number of pins	4
Protection class	III
Operating voltage (DC)	22,8 - 26,2 V
Flash duration	0 - 10000 µs

#### Mechanical features

Diameter	93.5 mm
Height	24.6 mm
Inner diameter	50 mm
Cable length	0.3 m
Degree of protection (IP)	IP00
Housing material	Aluminum
Working distance range	5 - 100 mm
Ambient temperature	0 - 35 °C

**Optical features**

Number of LEDs	196
Color temperature	6100 K
Lamp	LED
Light source	White light
Angle of beam spread	20 °
Risk group	0

**Other features**

Operational mode	Permanent operation   Flash operation
------------------	---------------------------------------

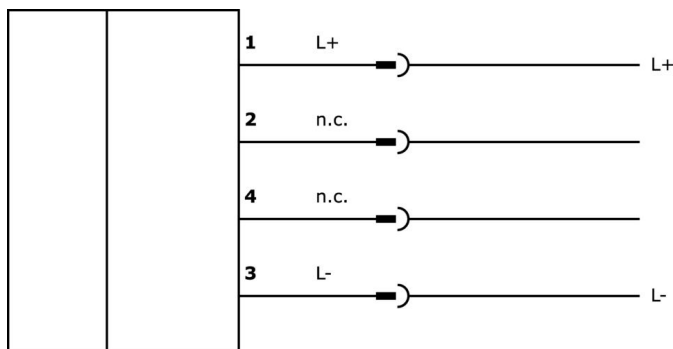
**Classification**

ETIM 8	EC000348 Machine and workbench light
--------	--------------------------------------

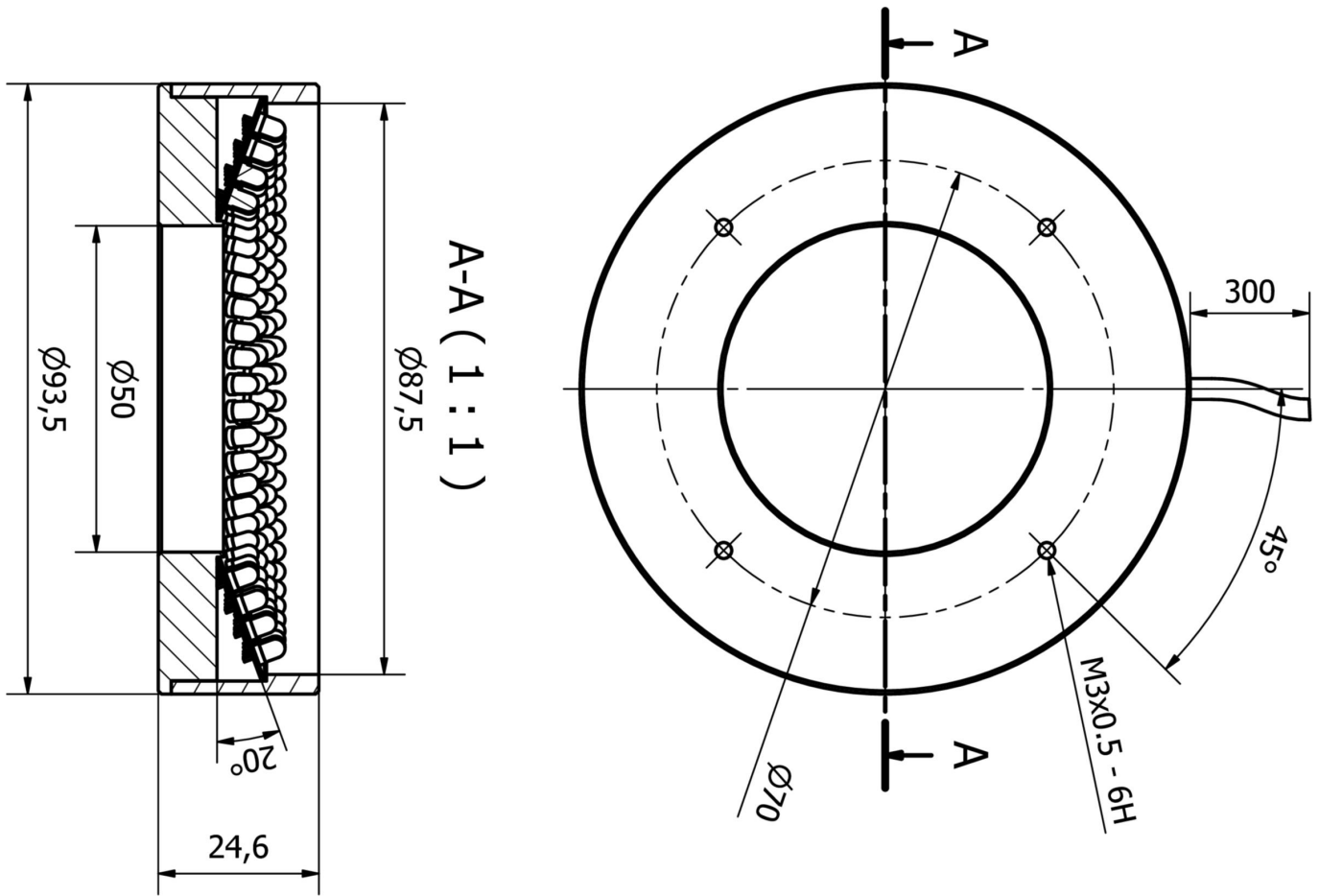
**More**

IPF Product Group	915 camera illumination
packaging dimensions	160 x 99 x 60 mm
gross weight	277 g
Customs tariff number	94054239
WEEE number	40951076
OzDS-compliant	Yes
POP-compliant	Yes
Reach-compliant	Yes
RoHS-compliant	Yes

**Connection**



**Dimensional drawing**



**Extract accessories program**

**VK003071**



Cable socket, Angular, Suitable for self-assembly, Soldering connection, Ø3.5-5mm, 4A, 30V, -40-85°C, M8 Female (socket) 4pin, IP67, Brass

**VK003075**



Cable socket, Straight, Suitable for self-assembly, Soldering connection, Ø3.5-5mm, 4A, 30V, -40-85°C, M8 Female (socket) 4pin, IP67, Brass

**VK200371**



Connection cable, 2m, M8 Female (socket) 4pin Angular, Free conductor end, 4x0.34mm<sup>2</sup>, PUR (Polyurethane), Ø4.7mm, 30V, -30-90°C, IP67, Suitable for trailing chain and torsion resistant, Oil and cooling lubricants, Welding area, Silicone-free

**VK200375**



Connection cable, 2m, M8 Female (socket) 4pin Straight, Free conductor end, 4x0.34mm<sup>2</sup>, PUR (Polyurethane), Ø4.7mm, 30V, -30-90°C, IP67, Suitable for trailing chain and torsion resistant, Oil and cooling lubricants, Welding area, Silicone-free

**AO000512**



accessories optical, Mounting bracket, 8x91x56mm, Aluminum Anodised

You can find further accessories on our homepage

**Installation**

Mounting / installation may only be carried out by a qualified electrician!

**Disposal**

WEEE number according to § 6 para. 3  
ElektroG: 40951076

**Safety warnings**

- / Before initial operation, please make sure to follow all safety instructions that may be provided in the product information.
- / Never use these devices in applications where the safety of a person depends on their functionality.
- / LED lighting systems can generate intensive UV radiation, which can damage your eyes in case of improper use. The manufacturer cannot be held responsible for damages that result from improper use or connection.