

## ES350120

### camera additional lighting • Spotlights

LED Spotlight, camera, Ø35mm 74long, White light, 4.8W, 6000K, 19-30V DC, Connector M12 4pin, IP64, Aluminum+Acrylic glass, Screw-on plate



### small angle of emitted beam

For any kind of inspection tasks with a camera sensor the lighting is essential, as only high-contrast images enable reproducible evaluations. Here the lighting has a decisive influence. The choice depends on different factors such as the distance to the test object, its size, the component criteria to be tested or the expected environmental conditions.

#### Electrical features

Type of electrical connection	Connector M12
Rated operating current	200 mA
Flash controller	internal
Power	4.8 W
Number of pins	4
Protection class	III
Operating voltage (DC)	19 - 30 V
Integrated flash controller for external illumination	Yes

#### Mechanical features

Diameter	35 mm
Length	74 mm
With C-mount thread	Yes
Degree of protection (IP)	IP64
Front screen scattering behavior	diffuse
Housing material	Aluminum
Front screen material	Polymethyl methacrylate
Ambient temperature	5 - 45 °C

#### Optical features

Number of LEDs	1
Color temperature	6100 K
Lamp	LED
Light source	White light
Angle of beam spread	26 °
Risk group	2

**Other features**

Operational mode	Permanent operation   Switching operation
Changeable fronts	Yes

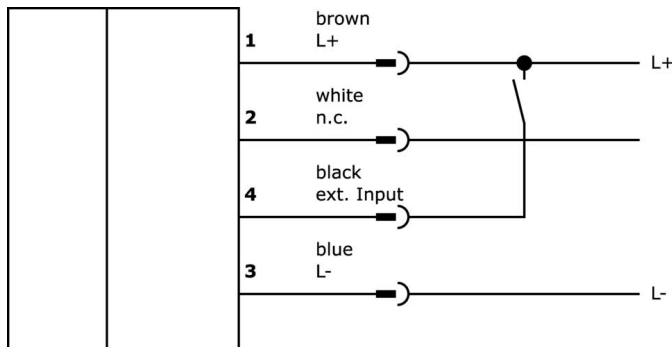
**Classification**

ETIM 8	EC000348 Machine and workbench light
--------	--------------------------------------

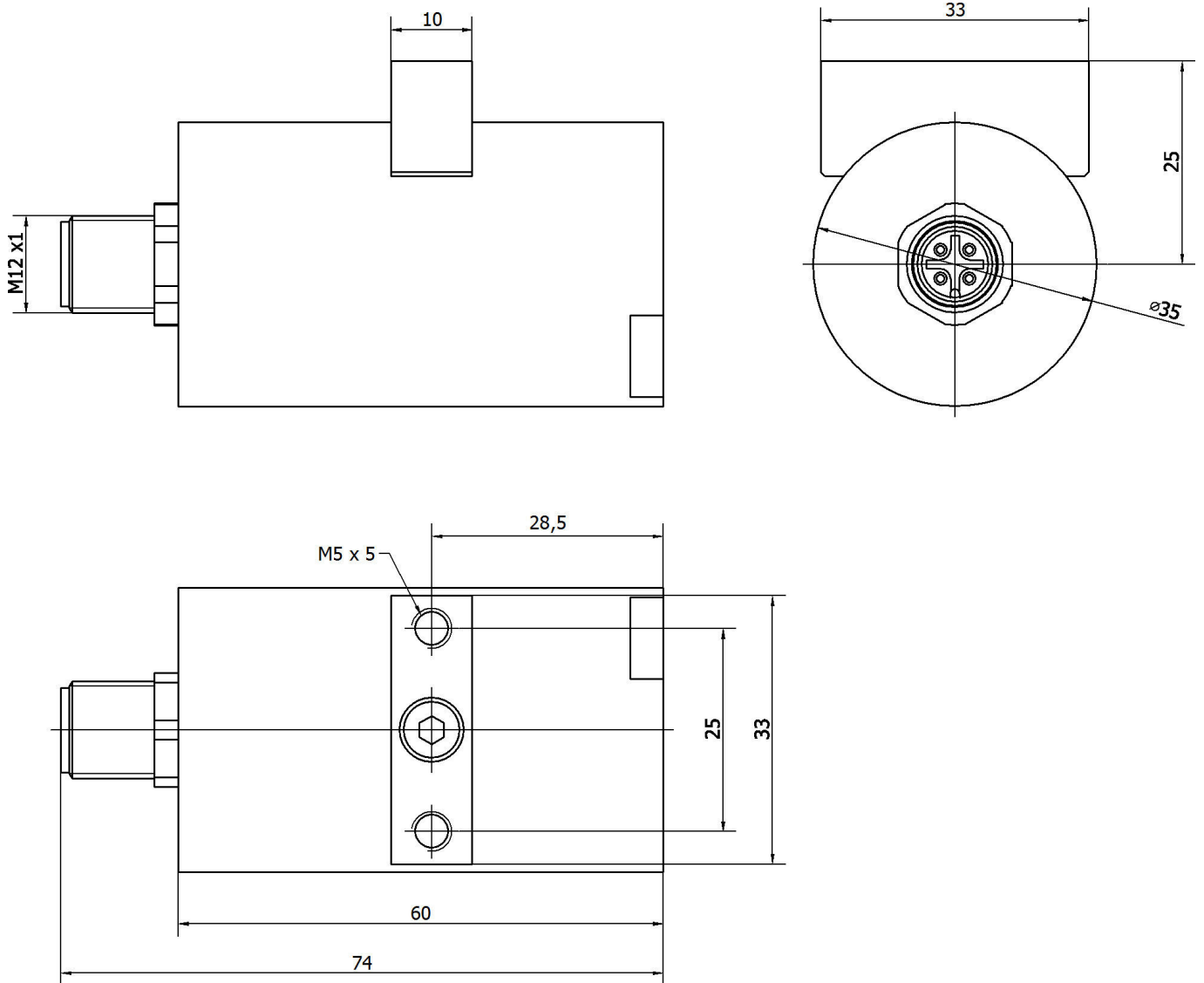
**More**

IPF Product Group	915 camera illumination
packaging dimensions	155 x 105 x 65 mm
gross weight	189 g
Customs tariff number	94054239
WEEE number	40951076
Reach-compliant	Yes
RoHS-compliant	Yes

**Connection**



**Dimensional drawing**



**Extract accessories program**

**VK003021**



Cable socket, Angular, Suitable for self-assembly, Screw connection, Ø3-6.5mm, 4A, 60V, -25-90°C, M12 Female (socket) 5pin, IP67, PBT

**VK003025**



Cable socket, Straight, Suitable for self-assembly, Screw connection, Ø3-6.5mm, 4A, 60V, -25-90°C, M12 Female (socket) 5pin, IP67, PBT

**VK003020**



Cable socket, angular, self-assembly, screw connection, Ø3-6.5mm, 4A, 240V, -25-90°C, M12 socket 4-pin, IP67, PBT

**VK003024**



Cable socket, Straight, Suitable for self-assembly, Screw connection, Ø3-6.5mm, 4A, 240V, -25-90°C, M12 Female (socket) 4pin, IP67, PBT

**VK200321**



Connection cable, 2m, M12 Female (socket) 4pin Angular, Free conductor end, 4x0.34mm<sup>2</sup>, PUR (Polyurethane), Ø4.7mm, 250V, -40-90°C, IP67, Suitable for trailing chain and torsion resistant, Oil and cooling lubricants, Welding area, Silicone-free

**VK200325**



Connection cable, 2m, M12 Female (socket) 4pin Straight, Free conductor end, 4x0.34mm<sup>2</sup>, PUR (Polyurethane), Ø4.7mm, 250V, -40-90°C, IP67, Suitable for trailing chain and torsion resistant, Oil and cooling lubricants, Welding area, Silicone-free

**AE000007**



accessories light, Holder, 47x40x50mm, Aluminum Anodised

**AE000008**



accessories light, Holder, 21x10x36mm, Aluminum Anodised

You can find further accessories on our homepage



**Installation**

Mounting / installation may only be carried out by a qualified electrician!



**Disposal**

WEEE number according to § 6 para. 3 ElektroG: 40951076

**Safety warnings**

**/** Before initial operation, please make sure to follow all safety instructions that may be provided in the product information.

**/** Never use these devices in applications where the safety of a person depends on their functionality.

**/** LED lighting systems can generate intensive UV radiation, which can damage your eyes in case of improper use. The manufacturer cannot be held responsible for damages that result from improper use or connection.