

ES540620

camera additional lighting • Spotlights

LED spotlight, 82x54x54 mm, blue light, 465nm, 35000 lx, 43W, 24VDC, M12-connector 5pin, IP20, aluminum+PMMA



**High light output due to High Power LED`s
Suitable for continuous and flash operation**

The ES540x20 series is optimized for continuous light operation at maximum light output. The active air cooling ensures a long life even at high power. The series is ideal for bridging larger distances and for high-speed photography. With up to 100,000 lux, the exposure time can be kept short and the frame rate increased.

Electrical features

Type of electrical connection	Connector M12
Flash controller	internal
Power	43 W
Number of pins	5
Protection class	III
Operating voltage (DC)	22,8 - 25,2 V
Integrated flash controller for external illumination	Yes
ardSOCA_ElektrischerAnschluss	M12 5-pin plug connector
ardSOCA_Betriebsspannung	23-25VDC

Mechanical features

Design	Rectangular
Width	54 mm
Height	54 mm
Length	82 mm
Degree of protection (IP)	IP20
Front screen scattering behavior	clear
Housing material	Aluminum
Front screen material	Polycarbonate
Thread dimension	1/4 inch
Ambient temperature	10 - 30 °C
ardSOCA_Abmessungen	1/4 inch, 82mm long

Optical features

Number of LEDs	16
Illuminance at 500mm distance	15000 lx
Lamp	LED
Light source	Blue light
Wavelength of the sensor	465 nm
Angle of beam spread	20 °
Risk group	2

Other features

Relative air humidity (non-condensing)	30 - 70 %
Operational mode	Permanent operation Switching operation Flash operation

Classification

ETIM 8

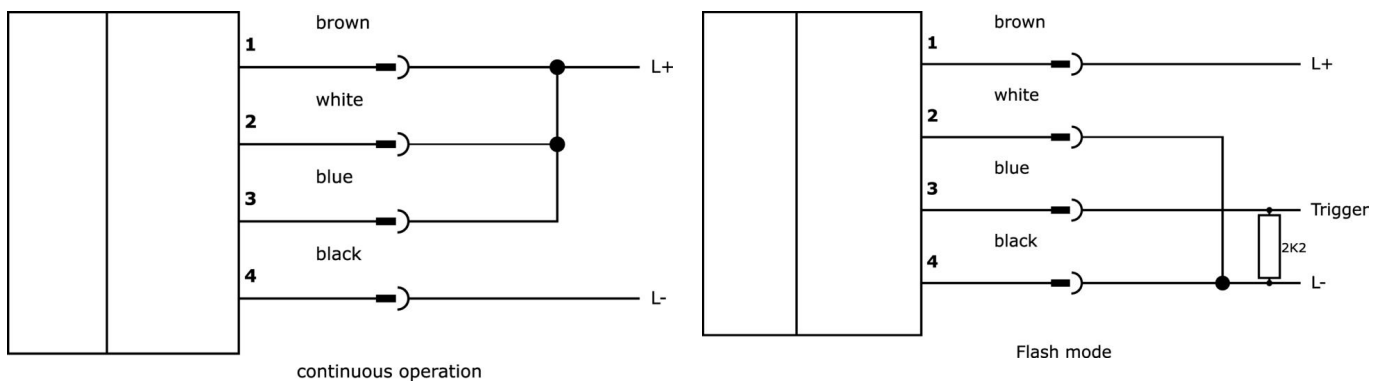
More

IPF Product Group	915 camera illumination
packaging dimensions	210 x 138 x 95 mm
gross weight	406 g
Customs tariff number	94054239
WEEE number	40951076
Reach-compliant	Yes
RoHS-compliant	Yes

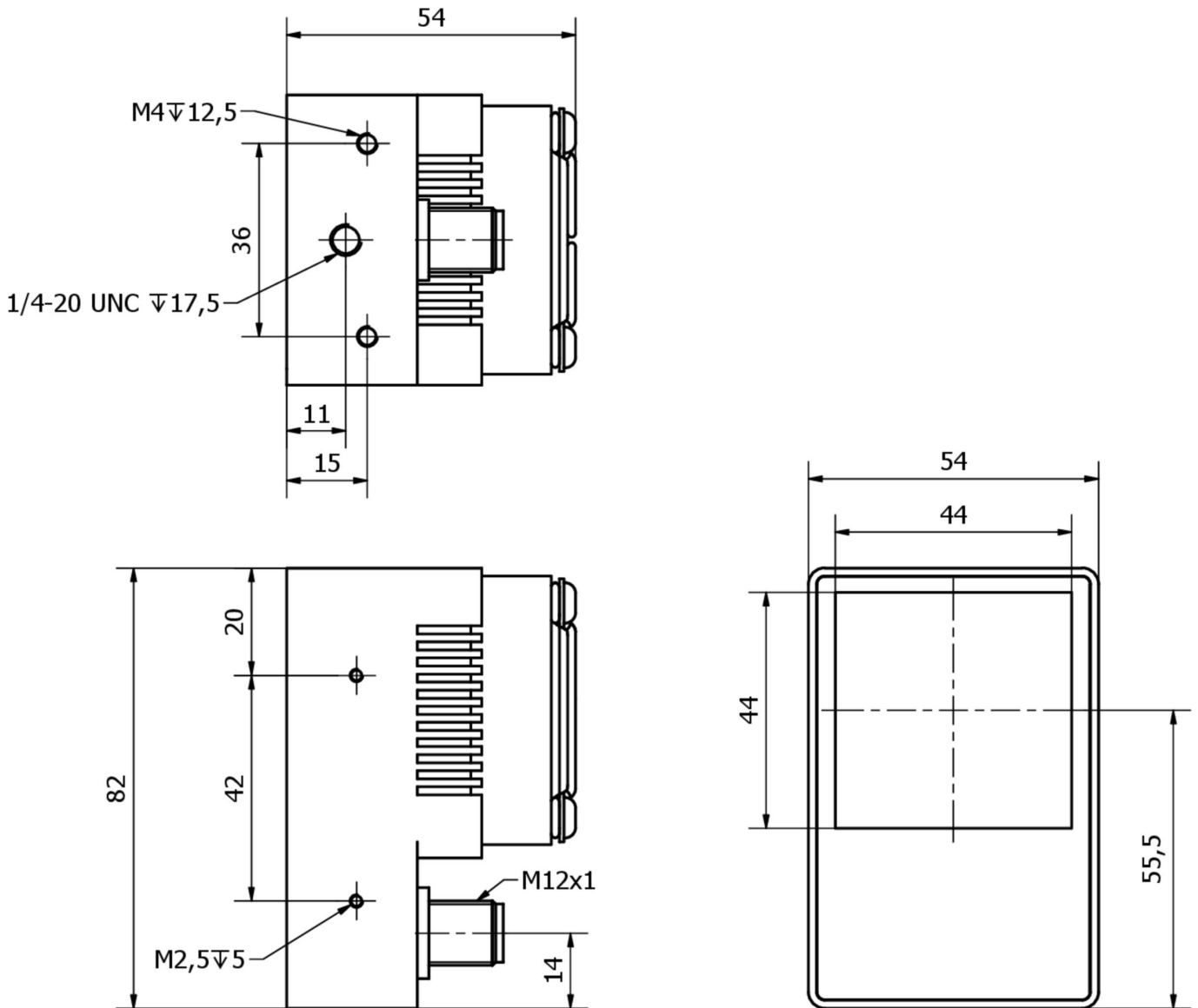
Important notes

/ Temperatura de superficie elevada superior a 55°C en funcionamiento continuo.

Connection



Dimensional drawing



Extract accessories program

NY000008



DC power supply, plug-in power supply, 50x31.5x125 mm, 24V DC, 2.5A, 100-240V AC, M12-connector 5-pin, plastic, total cable length 3350mm, with on/off switch, Schuko plug

You can find further accessories on our homepage



Installation

Mounting / installation may only be carried out by a qualified electrician!



Disposal

WEEE number according to § 6 para. 3 ElektroG: 40951076

Safety warnings

- /** Before initial operation, please make sure to follow all safety instructions that may be provided in the product information.
- /** Never use these devices in applications where the safety of a person depends on their functionality.
- /** LED lighting systems can generate intensive UV radiation, which can damage your eyes in case of improper use. The manufacturer cannot be held responsible for damages that result from improper use or connection.