

ES684840

camera additional lighting • Spotlights

LED spotlight, Ø68mm, green light, 8W, 525nm, 12° angle of emitted beam, 230V AC, IP50, aluminum + acrylic lens

including Holder, Plug-in power supply



small angle of emitted beam

For any kind of inspection tasks with a camera sensor the lighting is essential, as only high-contrast images enable reproducible evaluations. Here the lighting has a decisive influence. The choice depends on different factors such as the distance to the test object, its size, the component criteria to be tested or the expected environmental conditions.

Electrical features

Type of electrical connection	connector type C (CEE 7/16)
Rated operating current	350 mA
Flash controller	No
Power	8.4 W
Protection class	I
Operating voltage (AC 50Hz)	230 V

Mechanical features

Diameter	68 mm
Length	43 mm
Degree of protection (IP)	IP50
Front screen scattering behavior	clear
Housing material	Aluminum
Front screen material	Acrylic glass
Working distance range	0 - 1000 mm
Ambient temperature	0 - 40 °C

Optical features

Number of LEDs	7
Lamp	LED
Light source	Green light
Wavelength of the sensor	525 nm
Angle of beam spread	12 °
Risk group	2

Other features

Operational mode	Permanent operation
------------------	---------------------

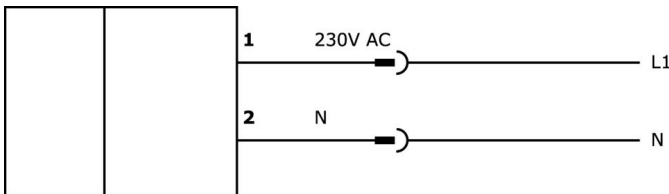
Classification

ETIM 8	EC000348 Machine and workbench light
--------	--------------------------------------

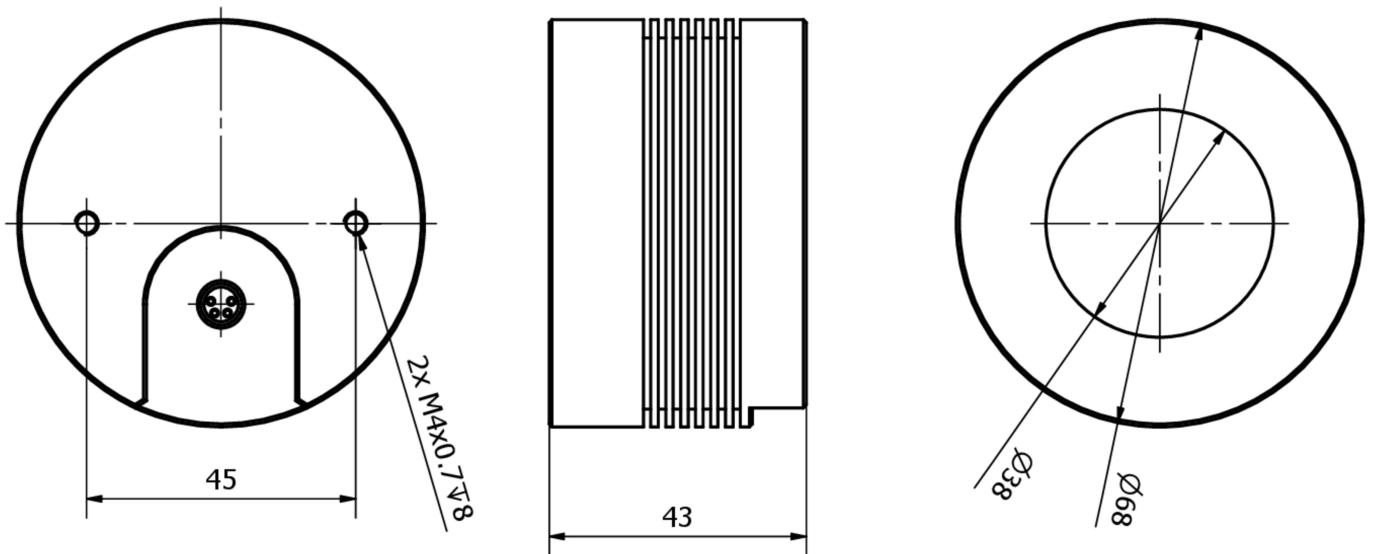
More

IPF Product Group	915 camera illumination
packaging dimensions	210 x 138 x 95 mm
gross weight	898 g
Customs tariff number	94054239
WEEE number	40951076
Reach-compliant	Yes
RoHS-compliant	Yes

Connection



Dimensional drawing



Installation

Mounting / installation may only be carried out by a qualified electrician!



Disposal

WEEE number according to § 6 para. 3 ElektroG: 40951076

Safety warnings

- /** Before initial operation, please make sure to follow all safety instructions that may be provided in the product information.
- /** Never use these devices in applications where the safety of a person depends on their functionality.
- /** LED lighting systems can generate intensive UV radiation, which can damage your eyes in case of improper use. The manufacturer cannot be held responsible for damages that result from improper use or connection.