

EZ500330

LED lights • Signal lights

LED signal light, Ø50, 4 segments, 4.3W, 24V DC, with signal transducer, M12-connector 8-pin, IP20, aluminum+PC



/ Anodized aluminum housing

Status display 360° Acoustic warning signal

The signal towers in the series are equipped with fixed colors and can be used instantaneously. The segments can be controlled separately via the inputs, and the columns are also equipped with an acoustic signal transducer (95 dB), which significantly increases perception and ensures a good signaling effect thanks to 360° visibility.

Electrical features

Type of electrical connection	Connector M12
Rated operating current	180 mA
Power	4.3 W
Number of pins	8
Protection class	III
Version of the acoustic signal generator	Buzzer (95dB)
Operating voltage (DC)	24 V
Signal color	Blue Yellow Green Red
ardSOCA_ElektrischerAnschluss	M12 8-pin plug connector
ardSOCA_Betriebsspannung	24VDC
ardTEEL_Schutzfunktionen	Verpolungsschutz

Mechanical features

Design	Pipe
Diameter	50 mm
Thread pitch	1.5 mm
Height	231 mm
Degree of protection (IP)	IP20
Front screen scattering behavior	diffuse
Housing material	Aluminum
Front screen material	Polycarbonate
Thread dimension	M30
Ambient temperature	0 - 50 °C
ardSOCA_Abmessungen	M30x1.5

Optical features

Lamp	LED
Light source	Multi-colored LED
Angle of beam spread	360 °
Signal color	Blue Yellow Green Red
Risk group	0

Other features

Number of segments	4
--------------------	---

Classification

ETIM 8	EC000348 Machine and workbench light
--------	--------------------------------------

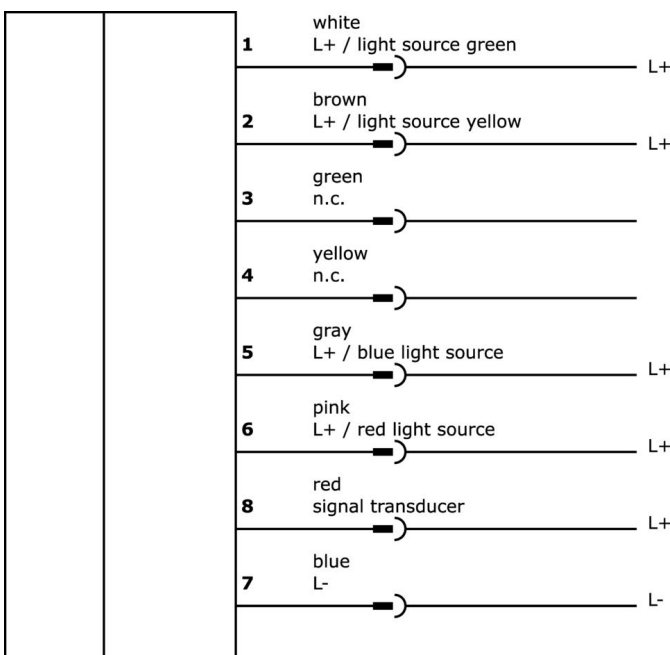
More

IPF Product Group	190 machine illuminations
packaging dimensions	370 x 90 x 90 mm
gross weight	466 g
Customs tariff number	94054239
WEEE number	40951076
ATEX-compliant	No
POP-compliant	Yes
Reach-compliant	Yes
RoHS-compliant	Yes

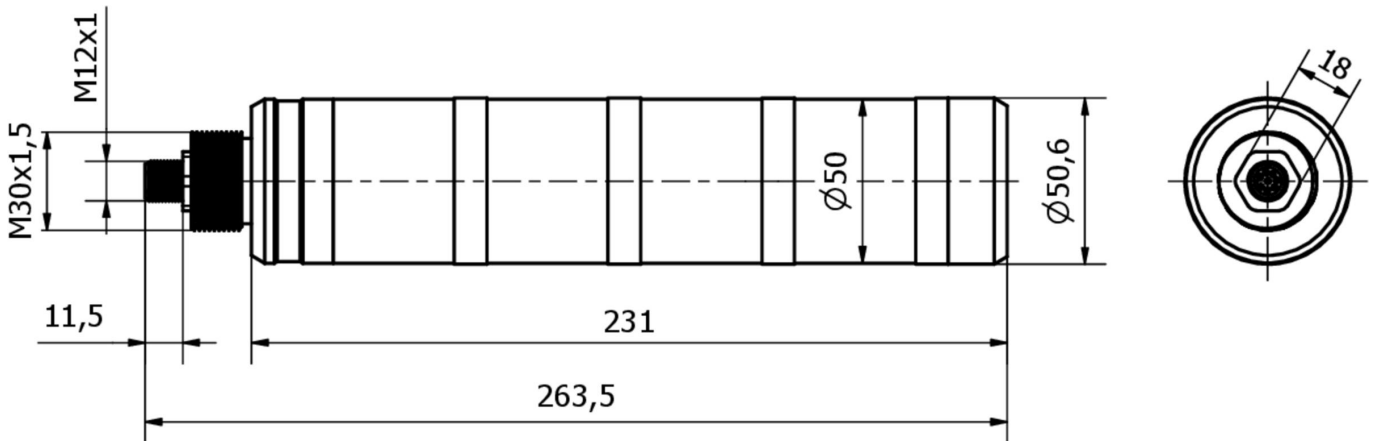
Important notes

/ Die Leuchte kann nicht zerstörungsfrei geöffnet werden.

Connection



Dimensional drawing



Extract accessories program

VK003025



Cable socket, Straight, Suitable for self-assembly, Screw connection, Ø3-6.5mm, 4A, 60V, -25-90°C, M12 Female (socket) 5pin, IP67, PBT

VK200625



Connection cable, 2m, M12 Female (socket) 5pin Straight, Free conductor end, 5x0.34mm², PUR (Polyurethane), Ø5.4mm, 60V, -25-90°C, IP67, Suitable for trailing chain and torsion resistant, Oil and cooling lubricants, Welding area, Silicone-free

VK205625



Connection cable, 2m, M12 Female (socket) 5pin Straight, Free conductor end, 5x0.34mm², PUR (Polyurethane), Ø6mm, 60V, -25-90°C, IP67, Shielded, Suitable for trailing chain and torsion resistant, Oil and cooling lubricants, Welding area, Silicone-...

AE000032



Accessories lights up, mounting flange, Ø98mm, 65mm high, aluminum

AE000033



Accessories lights, extension, Ø36mm, 120 long, aluminum

AE000040



Accessories Mounting set for labeling plates for signal towers with Ø50mm, 167x25x16mm, plastic PA12

AE000044



Accessories for signal lights, inscription plate, 211x150x4mm, acrylic glass

You can find further accessories on our homepage



Installation

Mounting / installation may only be carried out by a qualified electrician!



Disposal

WEEE number according to § 6 para. 3 ElektroG: 40951076

Safety warnings

- /** Before initial operation, please make sure to follow all safety instructions that may be provided in the product information.
- /** Never use these devices in applications where the safety of a person depends on their functionality.
- /** LED lighting systems can generate intensive UV radiation, which can damage your eyes in case of improper use. The manufacturer cannot be held responsible for damages that result from improper use or connection.