

FK920420

Filling level sensors • capacitive

sensor filling level, Capacitive, 1 inch 125long, G1 inch, 10-35V DC, PNP NC/NO, Connector M12 4pin, IP67, Polytetrafluorethylene (PTFE), probe Ø26mm 68long, Manual adjustment



Filling level and level sensors operate according to different measuring principles. The selection of the sensor depends on the medium to be detected and the ambient conditions. The material flow in a vibratory bowl can be excellently queried with inductive filling level sensors whose pendulum is moved by the material in the pot. The detection of liquid or solid media is, for instance, possible with capacitive filling level sensor technology. These work according to the principle of the condensator, the medium changes the dielectricity between two electrodes. The resulting change is converted into a digital output signal. A further alternative for the detection of filling levels of conductive media is provided by conductive filling level relays. The resistance between reference and measuring electrode is determined. If a set threshold is exceeded, a relay output switches.

Electrical features

Number of normally open contacts	1
Number of normally closed contacts	1
Display	LED display
Type of switching function	Normally closed contact/normally open contact
Type of electrical connection	Connector M12
Type of switching output	PNP
Rated switching current	250 mA
Setting procedure	Potentiometer
Short-circuit protection	Yes
No-load current	15 mA
Number of pins	4
Switching frequency	50 Hz
Voltage drop	2 V
Reverse polarity protection	Yes
Measurement principle	Capacitive
Operating voltage (DC)	10 - 35 V
Output functions	Switching point

Mechanical features

Type of process connection	G1 inch
Design	Round
Diameter	40 mm
Probe diameter	26 mm
Thread length	25 mm
Length	125 mm
Probe length	68 mm
Medium temperature	-25 - 75 °C
Degree of protection (IP)	IP67
Housing material	Polytetrafluorethylene (PTFE)
Sensing element material	Plastic (PTFE)
Thread dimension	1 inch
Ambient temperature	-25 - 70 °C

Other features

Version	Smooth with round tip
---------	-----------------------

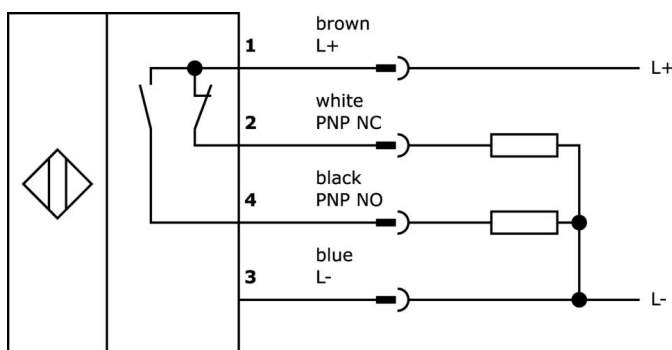
Classification

ETIM 8	EC001447 Level/level monitoring device
--------	--

More

IPF Product Group	350 filling level sensors (capacitive/conductive)
packaging dimensions	160 x 99 x 60 mm
gross weight	210 g
Customs tariff number	85365019
WEEE number	40951076
Reach-compliant	Yes
RoHS-compliant	Yes

Connection



Extract accessories program

VK030F21



Connection cable, 0.3m, M12 socket 4-pin angular, M12 connector 4-pin straight, 4x0.34mm², 240V, IP67, suitable for trailing chain and torsion resistant, oils and cooling lubricants, welding area, silicone-free

VK030F25



Connection cable, 0.3m, M12 socket 4-pin straight, M12 connector 4-pin straight, 4x0.34mm², PUR (polyurethane), 240V, IP67, suitable for trailing chain and torsion resistant, oils and cooling lubricants, welding area, silicone-free

VK003021



Cable socket, Angular, Suitable for self-assembly, Screw connection, Ø3-6.5mm, 4A, 60V, -25-90°C, M12 Female (socket) 5pin, IP67, PBT

VK003025



Cable socket, Straight, Suitable for self-assembly, Screw connection, Ø3-6.5mm, 4A, 60V, -25-90°C, M12 Female (socket) 5pin, IP67, PBT

VK200321



Connection cable, 2m, M12 Female (socket) 4pin Angular, Free conductor end, 4x0.34mm², PUR (Polyurethane), Ø4.7mm, 250V, -40-90°C, IP67, Suitable for trailing chain and torsion resistant, Oil and cooling lubricants, Welding area, Silicone-free

VK200325



Connection cable, 2m, M12 Female (socket) 4pin Straight, Free conductor end, 4x0.34mm², PUR (Polyurethane), Ø4.7mm, 250V, -40-90°C, IP67, Suitable for trailing chain and torsion resistant, Oil and cooling lubricants, Welding area, Silicone-free

AY98A753



accessories, Hexagon nut, 1 inch, Wrench size 46mm, Stainless steel

VK003020



Cable socket, angular, self-assembly, screw connection, Ø3-6.5mm, 4A, 240V, -25-90°C, M12 socket 4-pin, IP67, PBT

VK003024



Cable socket, Straight, Suitable for self-assembly, Screw connection, Ø3-6.5mm, 4A, 240V, -25-90°C, M12 Female (socket) 4pin, IP67, PBT

You can find further accessories on our homepage



Installation

Mounting / installation may only be carried out by a qualified electrician!



Disposal

WEEE number according to § 6 para. 3 ElektroG: 40951076

Safety warnings

/ Before initial operation, please make sure to follow all safety instructions that may be provided in the product information.

/ Never use these devices in applications where the safety of a person depends on their functionality.