

IB040106

Inductive sensors • Increased switching distance

sensor inductive, M4x0.5 22long, Flush, Sn: 1, 10-30V DC, PNP NO, IO-Link, Cable 2m PUR (Polyurethane), IP67, V4A

including Nut, Toothed washer



Inductive proximity switches are contact-free sensors. They detect all conductive metals, regardless of whether they move or not. The achievable sensing range of the devices depends on the object material and its dimensions. The vibration-resistant sensors can be approached laterally or frontally. Inductive proximity switches are used for presence detection (e.g. goods carriers), positioning (e.g. dampers), counting (e.g. nuts /bolts), speed detection (e.g. for cog wheels), on conveyor systems (e.g. hose feedings) or distance measurements (e.g. press-in checking) of metallic objects.

Electrical features

Display	LED display
Type of switching function	Normally open contact (NO)
Type of electrical connection	Cable
Type of switching output	PNP
Rated switching current	100 mA
Relative hysteresis	10 %
Correction factor (aluminum)	0.5
Correction factor (copper)	0.45
Correction factor (brass)	0.6
Correction factor (St37)	1
Correction factor (stainl. steel)	0.8
Short-circuit protection	Yes
No-load current	10 mA
Relative repeat accuracy	2 %
Switching distance	1 mm
Switching frequency	3000 Hz
Voltage drop	2 V
Reverse polarity protection	Yes
Supported communication interface	IO-Link
Operating voltage (DC)	10 - 30 V

Mechanical features

Number of cores	3
Conductor cross-section	0.055 mm ²
Alignment of cable entry	axial
Design	Cylinder, screw-thread
Diameter	4 mm
Thread length	16 mm
Thread pitch	0.5 mm
Cable length	2 m
Cable infeed	axial
Length	22 mm
Maximum tightening torque	0.8 Nm
Mechanical mounting condition for sensor	flush
Degree of protection (IP)	IP67
Active area material of sensor	Plastic (PET)
Housing material	Stainless steel 1.4404
Material of cable sheath	Plastic (PUR)
Thread dimension	M4
Ambient temperature	-25 - 70 °C
Line diameter	2.6 mm

Other features

IO-Link version	V1.0.1
Reference medium / object	Standard measuring plate FE360 4x4x1mm

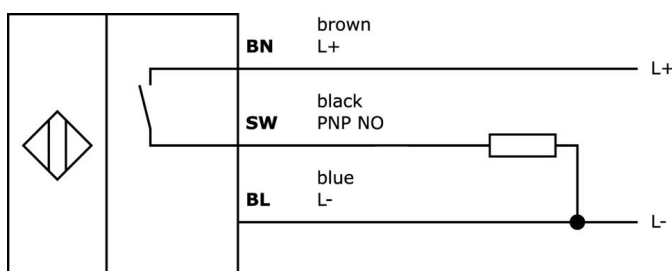
Classification

ETIM 8	EC002714 Inductive proximity switch
--------	-------------------------------------

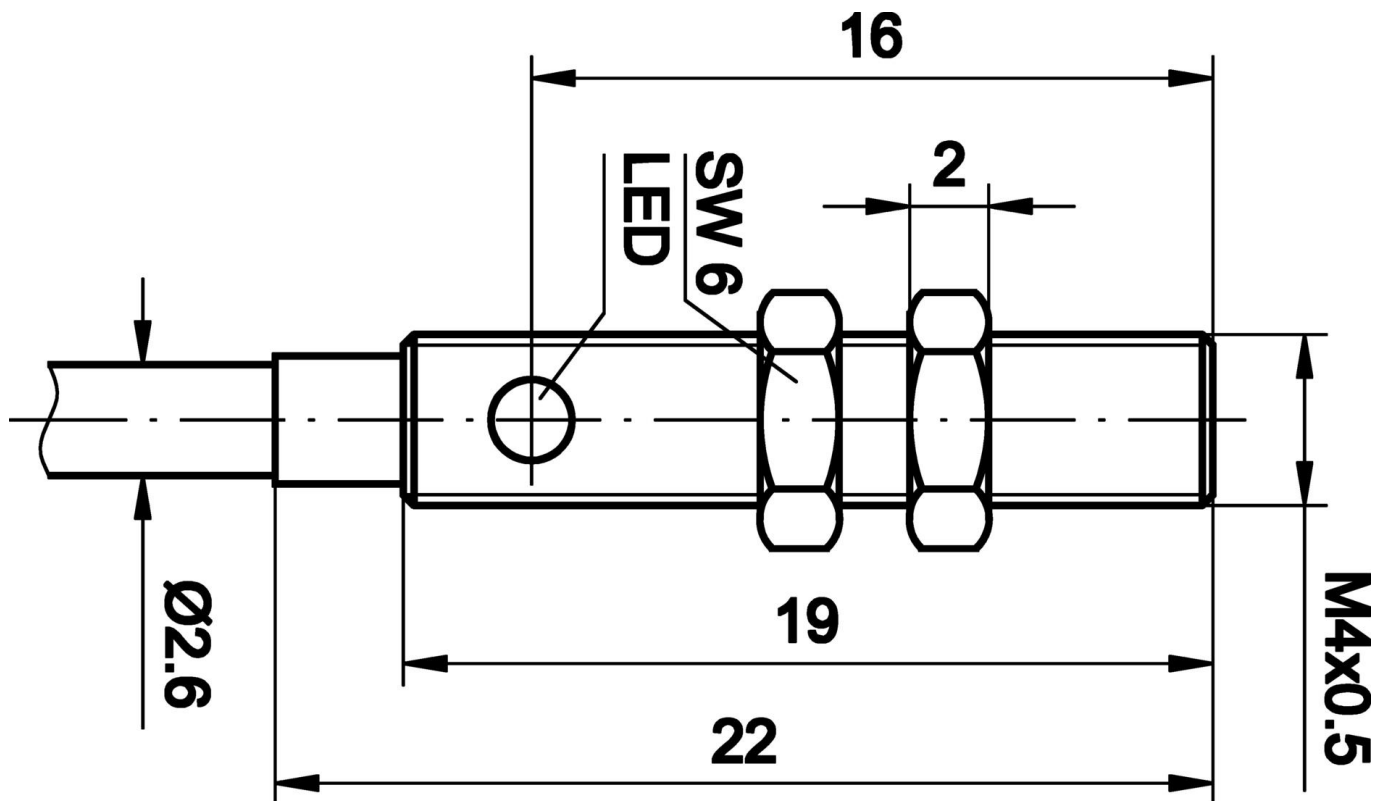
More

IPF Product Group	201 inductive sensors (plus / super plus)
packaging dimensions	210 x 180 x 17 mm
gross weight	27 g
Customs tariff number	85365019
WEEE number	40951076
Reach-compliant	Yes
RoHS-compliant	Yes

Connection



Dimensional drawing



Extract accessories program

NG400501



DC power supply, 1-phase, 125x114x40mm, 24-28V, 5A, 90-264V AC 50Hz, 90-264V AC 60Hz, 127-370V DC, screw connection, IP20, aluminum, stabilized, pulsed output voltage

AY000141



Plastic sheath, Ø17mm, Inner diameter 10mm, -40-250°C, Glass fiber with silicone rubber, Short-term resistance to weld spatter 1200°C, Tensile strength 400N, Flexible, Flame retardant, yard good

VY000005



IO-Link master, 41x24x67mm, IO-Link, M12, With USB interface

VY000004



DC power supply, sensor tester, 120x26x72mm, 18V, 0.04A, Spring clamp connection 4pin, IP20, Plastic

NG530002



DC power supply, single-phase, 99x114x22mm, 24V, 0.1A, Number of relay outputs 2, 100-264V AC 50Hz, 100-264V AC 60Hz, Screw connection, IP20, Plastic, Stabilized, Output voltage, pulsed

AY000017



accessories sensor, Ø4mm, Aluminum, For sensor 4mm, for Wall mounting, Screw mounting

AY000044



accessories sensor, Ø4mm, Plastic, For sensor 4mm, for Wall mounting, Screw mounting

VY850001



Inverter/signal-inversion/turn-off delay, 85x65x18mm, 0.01-10s, 12-30V DC, 1x NC/NO, Clamp 8pin, IP40, Plastic, Plug-in jumpers

VY850002



Inverter/signal-inversion/turn-off delay, 85x65x18mm, 0.01-10s, 12-30V DC, 1x NC/NO, Clamp 8pin, IP40, Plastic, Plug-in jumpers

You can find further accessories on our homepage

**Installation**

Mounting / installation may only be carried out by a qualified electrician!

**Disposal**

WEEE number according to § 6 para. 3
ElektroG: 40951076

Safety warnings

- / Before initial operation, please make sure to follow all safety instructions that may be provided in the product information.
- / Never use these devices in applications where the safety of a person depends on their functionality.
- / Any software, drivers or IODD files that may be required to operate your device can be downloaded free of charge from our homepage: www.ipf-electronic.com