

IB040174

Inductive sensors • Norm switching distance

sensor inductive, M4x0.5 22long, Flush, Sn: 0.6, 10-30V DC, PNP NO, IO-Link, Cable connector M8 3pin 0.15m, IP67, V4A

including Nut, Toothed washer



The IB040174 inductive sensor is a high-quality device that can detect conductive metals at short distances and is not affected by other materials. This makes it ideal for use in soiling and harsh environments.

The sensor complies with the EN 60947-5-2 standard and is suitable for all standard applications. The switching distance is set at the factory using a norm measuring plate, which has the same edge length as the sensor surface.

In accordance with the standards, the IB040174 flush sensor achieves a switching distance of 0.6 mm. The housing of the sensor is made of stainless steel 1.4404 and has an M4x0.5mm thread for mounting. The electrical connection is made via .

Electrical features

Display	LED display
Type of switching function	Normally open contact (NO)
Type of electrical connection	Cable connector M8
Type of switching output	PNP
Rated switching current	100 mA
Relative hysteresis	15 %
Correction factor (aluminum)	0.3
Correction factor (copper)	0.2
Correction factor (brass)	0.4
Correction factor (St37)	1
Correction factor (stainl. steel)	0.7
Short-circuit protection	Yes
No-load current	5.5 mA
Number of pins	3
Relative repeat accuracy	10 %
Switching distance	0,6 mm
Switching frequency	5000 Hz
Voltage drop	1.5 V
Reverse polarity protection	Yes
Supported communication interface	IO-Link
Operating voltage (DC)	10 - 30 V

Mechanical features

Alignment of cable entry	axial
Design	Cylinder, screw-thread
Thread length	19 mm
Thread pitch	0.5 mm
Cable length	0.15 m
Cable infeed	axial
Length	22 mm
Maximum tightening torque	0.8 Nm
Mechanical mounting condition for sensor	flush
Degree of protection (IP)	IP67
Active area material of sensor	Plastic (PET)
Housing material	Stainless steel 1.4404
Thread dimension	M4
Ambient temperature	-25 - 70 °C

Other features

IO-Link version	V1.0.1
Reference medium / object	Standard measuring plate FE360 4x4x1mm

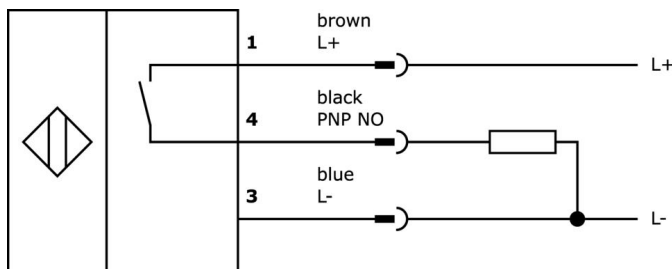
Classification

ETIM 8	EC002714 Inductive proximity switch
--------	-------------------------------------

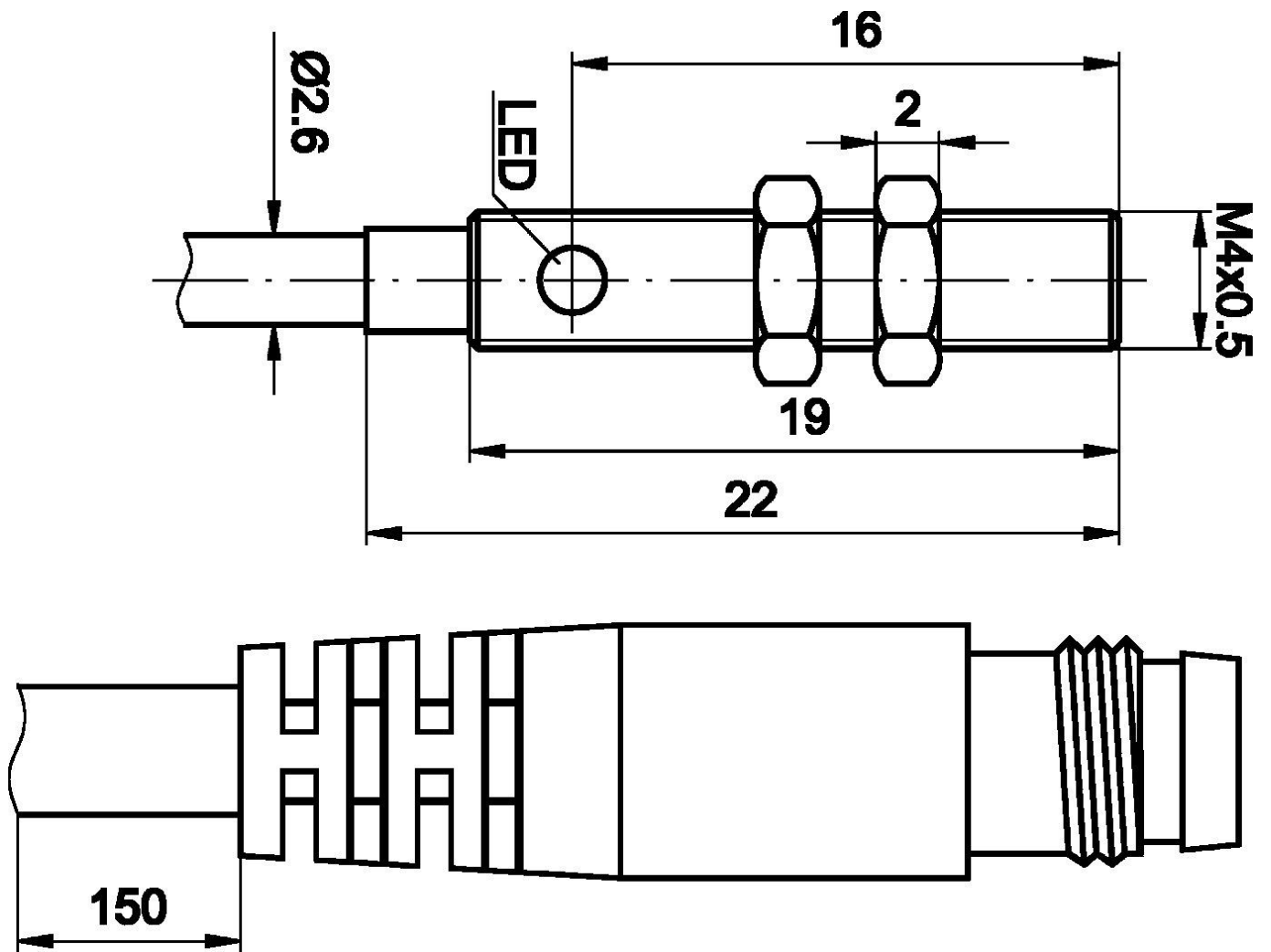
More

IPF Product Group	203 inductive sensors (diverse)
packaging dimensions	120 x 100 x 17 mm
gross weight	10 g
Customs tariff number	85365019
WEEE number	40951076
Reach-compliant	Yes
RoHS-compliant	Yes

Connection



Dimensional drawing



Extract accessories program

NG530002



DC power supply, single-phase, 99x114x22mm, 24V, 0.1A, Number of relay outputs 2, 100-264V AC 50Hz, 100-264V AC 60Hz, Screw connection, IP20, Plastic, Stabilized, Output voltage, pulsed

AY000017



accessories sensor, Ø4mm, Aluminum, For sensor 4mm, for Wall mounting, Screw mounting

AY000044



accessories sensor, Ø4mm, Plastic, For sensor 4mm, for Wall mounting, Screw mounting

AV000142



accessories cable socket, Mounting clip, 8.5mm, PPO, Packaging unit 5, Accessories for Cable socket/connector M8

AY000141



Plastic sheath, Ø17mm, Inner diameter 10mm, -40-250°C, Glass fiber with silicone rubber, Short-term resistance to weld spatter 1200°C, Tensile strength 400N, Flexible, Flame retardant, yard good

VY000005



IO-Link master, 41x24x67mm, IO-Link, M12, With USB interface

VK000038



Adaption, M8 Female (socket) 3pin Straight, M8 Male (connector) 4pin Straight, 24V, -25-85°C, IP67, Oil and cooling lubricants, Welding area

VK000036



Adaption, M8 Female (socket) 3pin Straight, M12 Male (connector) 3pin Straight, 24V, -25-85°C, IP67, Oil and cooling lubricants, Welding area

VY000004



DC power supply, sensor tester, 120x26x72mm, 18V, 0.04A, Spring clamp connection 4pin, IP20, Plastic

You can find further accessories on our homepage



Installation

Mounting / installation may only be carried out by a qualified electrician!



Disposal

WEEE number according to § 6 para. 3 ElektroG: 40951076

Safety warnings

/ Before initial operation, please make sure to follow all safety instructions that may be provided in the product information.

/ Never use these devices in applications where the safety of a person depends on their functionality.

/ Any software, drivers or IODD files that may be required to operate your device can be downloaded free of charge from our homepage: www.ipf-electronic.com