

IB050106

Inductive sensors • Increased switching distance

sensor inductive, M5x0.5 25long, Flush, Sn: 1.5, 10-30V DC, PNP NO, IO-Link, Cable 5m PUR (Polyurethane), IP67, V4A

including Nut, Toothed washer



Inductive proximity switches are contact-free sensors. They detect all conductive metals, regardless of whether they move or not. The achievable sensing range of the devices depends on the object material and its dimensions. The vibration-resistant sensors can be approached laterally or frontally. Inductive proximity switches are used for presence detection (e.g. goods carriers), positioning (e.g. dampers), counting (e.g. nuts /bolts), speed detection (e.g. for cog wheels), on conveyor systems (e.g. hose feedings) or distance measurements (e.g. press-in checking) of metallic objects.

Electrical features

Display	LED display
Type of switching function	Normally open contact (NO)
Type of electrical connection	Cable
Type of switching output	PNP
Rated switching current	200 mA
Relative hysteresis	10 %
Correction factor (aluminum)	0.4
Correction factor (copper)	0.4
Correction factor (brass)	0.5
Correction factor (St37)	1
Correction factor (stainl. steel)	0.75
Short-circuit protection	Yes
No-load current	10 mA
Relative repeat accuracy	2 %
Switching distance	1,5 mm
Switching frequency	3000 Hz
Voltage drop	2 V
Reverse polarity protection	Yes
Supported communication interface	IO-Link
Operating voltage (DC)	10 - 30 V

Mechanical features

Number of cores	3
Conductor cross-section	0.14 mm ²
Alignment of cable entry	axial
Design	Cylinder, screw-thread
Diameter	5 mm
Thread length	20 mm
Thread pitch	0.5 mm
Cable length	5 m
Cable infeed	axial
Length	25 mm
Maximum tightening torque	1.5 Nm
Mechanical mounting condition for sensor	flush
Degree of protection (IP)	IP67
Active area material of sensor	Plastic (POM)
Housing material	Stainless steel (V2A)
Material of cable sheath	Plastic (PUR)
Thread dimension	M5
Ambient temperature	-25 - 70 °C
Line diameter	2.6 mm

Other features

IO-Link version	V1.0.1
Reference medium / object	Standard measuring plate FE360 5x5x1mm

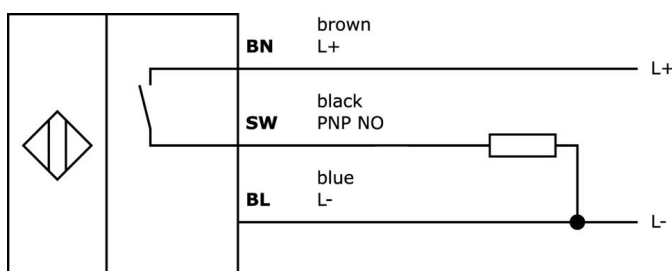
Classification

ETIM 8	EC002714 Inductive proximity switch
--------	-------------------------------------

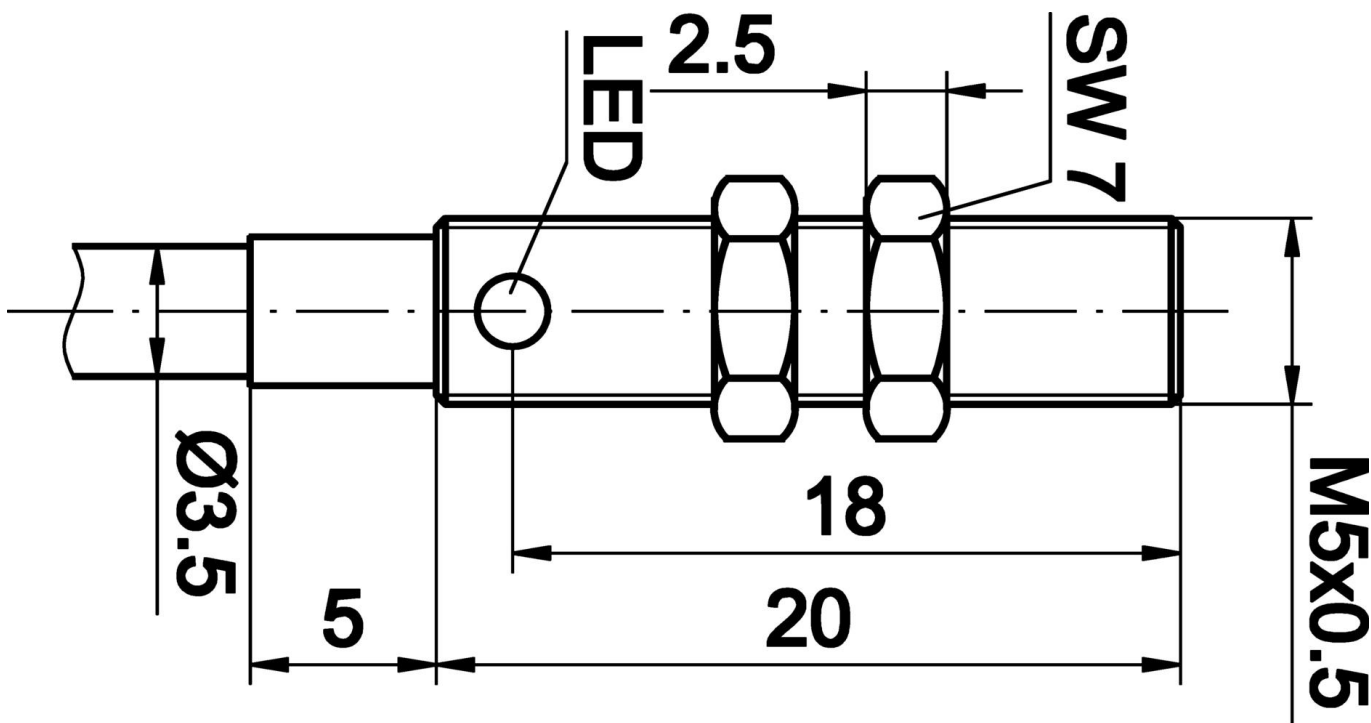
More

IPF Product Group	201 inductive sensors (plus / super plus)
packaging dimensions	123 x 77 x 25 mm
gross weight	80 g
Customs tariff number	85365019
WEEE number	40951076
Reach-compliant	Yes
RoHS-compliant	Yes

Connection



Dimensional drawing



Extract accessories program

VL250100



Logic module, 49x80x26mm, AND, 4fold, 10-35V DC, sensor side
Clamp, control side Clamp, IP40, Plastic

VL250120



Logic module, 49x80x26mm, OR, 4fold, 10-35V DC, sensor side
Clamp, control side Clamp, IP40, Plastic

VK003026



Cable connector, Angular, Suitable for self-assembly, Screw connection, Ø3-6.5mm, 4A, 240V, -25-90°C, M12 Male (connector) 4pin, IP67, PBT

VK003028



Cable connector, Straight, Suitable for self-assembly, Screw connection, Ø3-6.5mm, 4A, 240V, -25-90°C, M12 Male (connector) 4pin, IP67, PBT

VK003079



Cable connector, Straight, Suitable for self-assembly, Soldering connection, Ø3.5-5mm, 4A, 30V, -40-85°C, M8 Male (connector) 4pin, IP67, Brass

VK003179



Cable connector, Straight, Suitable for self-assembly, Screw connection, Ø3.5-5mm, 4A, 30V, -40-85°C, M8 Male (connector) 4pin, IP67, Brass

VY000005



IO-Link master, 41x24x67mm, IO-Link, M12, With USB interface

AY000115



accessories sensor, Fixture kit, Metal, ball joint

AY000162



Accessories, magnetic, Ø43mm, neodymium-iron-boron, inside thread M5, rubber

You can find further accessories on our homepage



Installation

Mounting / installation may only be carried out by a qualified electrician!



Disposal

WEEE number according to § 6 para. 3 ElektroG: 40951076

Safety warnings

- /** Before initial operation, please make sure to follow all safety instructions that may be provided in the product information.
- /** Never use these devices in applications where the safety of a person depends on their functionality.
- /** Any software, drivers or IODD files that may be required to operate your device can be downloaded free of charge from our homepage: www.ipf-electronic.com