

IB050155

Inductive sensors • Increased ambient temperature

Sensor inductive, M5x0.5 25long, flush, Sn: 0.8, 10-30V DC, -25-120°C, PNP NO, IO-Link, cable 2m silicone, IP67, V2A

including Nut, Toothed washer

/ High switching frequency



Temperature resistant up to +120°C
Compact design

Inductive proximity switches are contact-free sensors. They detect all conductive metals, regardless of whether they move or not. The achievable sensing range of the devices depends on the object material and its dimensions. The vibration-resistant sensors can be approached laterally or frontally. Inductive proximity switches are used for presence detection (e.g. goods carriers), positioning (e.g. dampers), counting (e.g. nuts /bolts), speed detection (e.g. for cog wheels), on conveyor systems (e.g. hose feedings) or distance measurements (e.g. press-in checking) of metallic objects.

Electrical features

Display	LED display
Type of switching function	Normally open contact (NO)
Type of electrical connection	Cable
Type of switching output	PNP
Rated switching current	200 mA
Relative hysteresis	10 %
Correction factor (aluminum)	0.5
Correction factor (copper)	0.45
Correction factor (brass)	0.55
Correction factor (St37)	1
Correction factor (stainl. steel)	0.8
Short-circuit protection	Yes
No-load current	10 mA
Relative repeat accuracy	1.25 %
Residual ripple	20 %
Switching distance	0,8 mm
Switching frequency	5000 Hz
Switching behavior of the output	Static
Voltage drop	2 V
Reverse polarity protection	Yes
Supported communication interface	IO-Link
Operating voltage (DC)	10 - 30 V

Mechanical features

Number of cores	3
Conductor cross-section	0.14 mm ²
Alignment of cable entry	axial
Design	Cylinder, screw-thread
Thread pitch	0.5 mm
Cable length	2 m
Cable infeed	axial
Storage temperature	-40 - 80 °C
Length	25 mm
Maximum tightening torque	1.5 Nm
Mechanical mounting condition for sensor	flush
Degree of protection (IP)	IP67
Active area material of sensor	Plastic (PA6.6)
Housing material	Stainless steel
Material of cable sheath	Silicone
Thread dimension	M5
Ambient temperature	-25 - 120 °C
Line diameter	2.6 mm

Other features

IO-Link version	V1.0.1
Reference medium / object	Standard measuring plate FE360 5x5x1mm

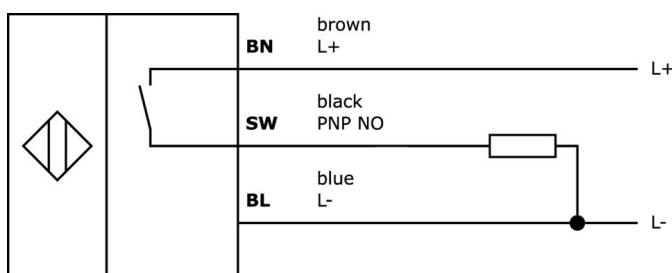
Classification

ETIM 8	EC002714 Inductive proximity switch
--------	-------------------------------------

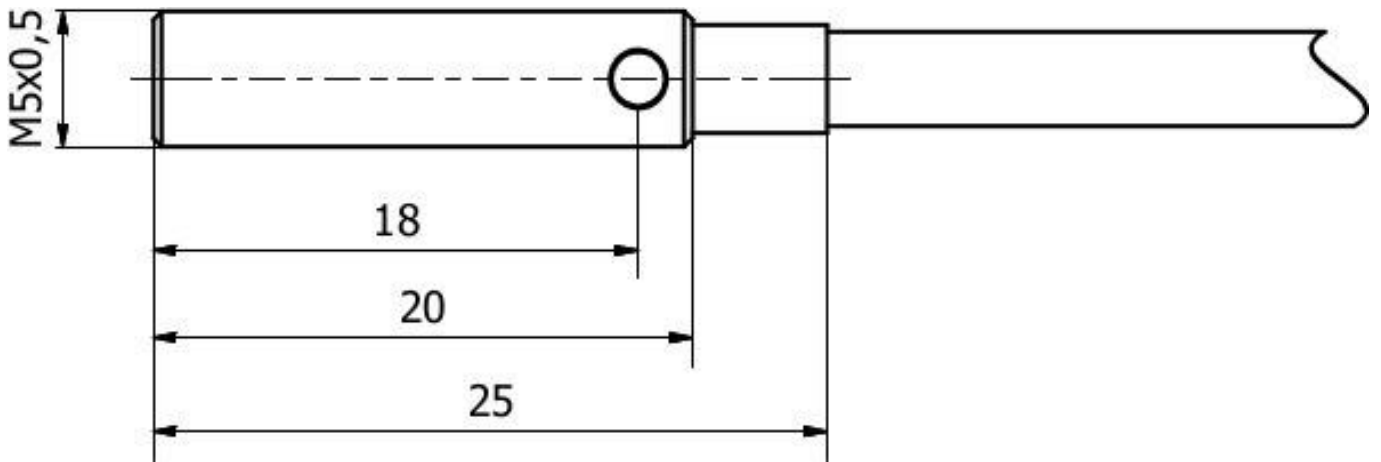
More

IPF Product Group	202 inductive sensors (high temperature)
packaging dimensions	215 x 180 x 17 mm
gross weight	41 g
Customs tariff number	85365019
WEEE number	40951076
Reach-compliant	Yes
RoHS-compliant	Yes

Connection



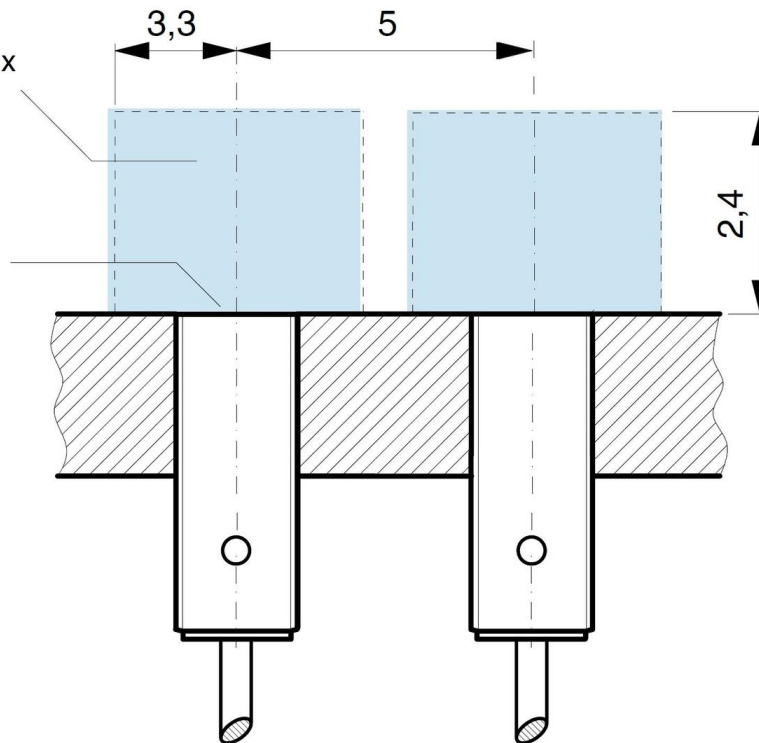
Dimensional drawing



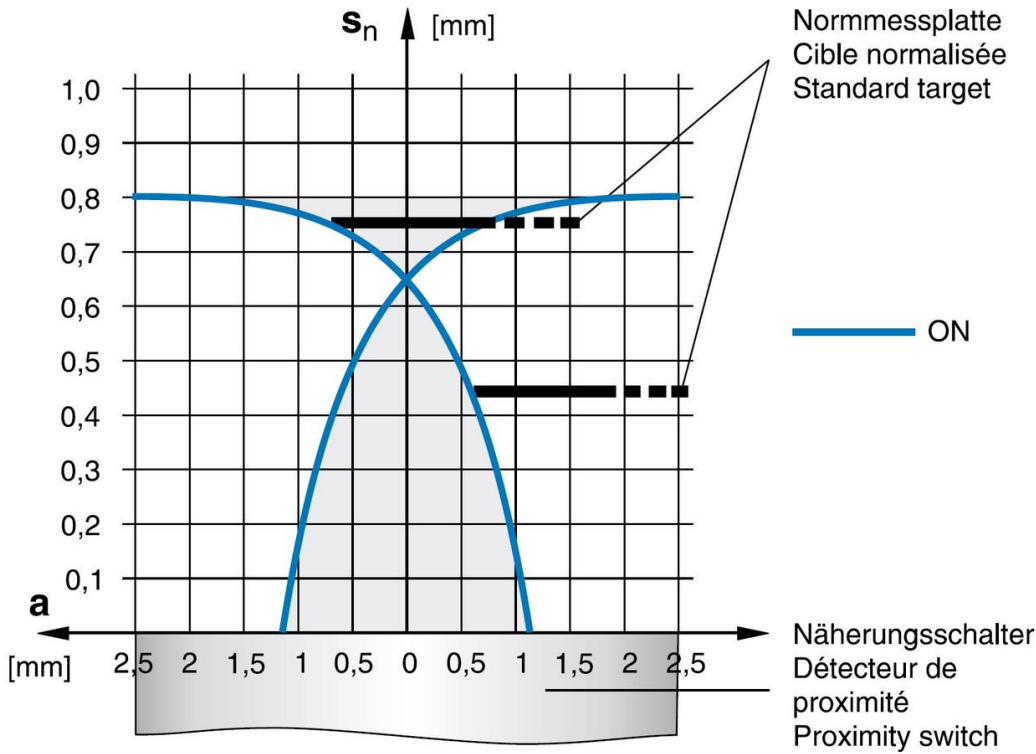
Installation conditions

metallfreier Raum
espace sans métaux
metal-free space

aktive Fläche
face sensible
sensing face



response curve



Extract accessories program

NG530002



DC power supply, single-phase, 99x114x22mm, 24V, 0.1A, Number of relay outputs 2, 100-264V AC 50Hz, 100-264V AC 60Hz, Screw connection, IP20, Plastic, Stabilized, Output voltage, pulsed

VK003528



Cable connector, Straight, Suitable for self-assembly, Screw connection, 24V, -40-150°C, M12 Male (connector) 4pin

AY000141



Plastic sheath, Ø17mm, Inner diameter 10mm, -40-250°C, Glass fiber with silicone rubber, Short-term resistance to weld spatter 1200°C, Tensile strength 400N, Flexible, Flame retardant, yard good

VY000005



IO-Link master, 41x24x67mm, IO-Link, M12, With USB interface

VY000004



DC power supply, sensor tester, 120x26x72mm, 18V, 0.04A, Spring clamp connection 4pin, IP20, Plastic

AY000018



accessories sensor, Ø5mm, Aluminum, For sensor 5mm, for Wall mounting, Screw mounting

AY000023



accessories, Hexagon nut, M5x0.5, Wrench size 7mm, Brass Nickel-plated

NG400501



DC power supply, 1-phase, 125x114x40mm, 24-28V, 5A, 90-264V AC 50Hz, 90-264V AC 60Hz, 127-370V DC, screw connection, IP20, aluminum, stabilized, pulsed output voltage

AY000115



accessories sensor, Fixture kit, Metal, ball joint

You can find further accessories on our homepage

**Installation**

Mounting / installation may only be carried out by a qualified electrician!

**Disposal**

WEEE number according to § 6 para. 3
ElektroG: 40951076

Safety warnings

- / Before initial operation, please make sure to follow all safety instructions that may be provided in the product information.
- / Never use these devices in applications where the safety of a person depends on their functionality.
- / Any software, drivers or IODD files that may be required to operate your device can be downloaded free of charge from our homepage: www.ipf-electronic.com