

IB080121

Inductive sensors • Norm switching distance

sensor inductive, M8x1 60long, Flush, Sn: 1.5, 10-30V DC, PNP NO, Connector M12 3pin, IP67, Stainless steel 1.4305

including Nut



The IB080121 inductive sensor is manufactured in accordance with EN 60947-5-2 and recognizes conductive metals at short distances. It is insensitive to other materials and is therefore particularly suitable for use in soiling or harsh environments. The switching distance of the sensor is set at the factory to 1.5mm, measured with a norm measuring plate corresponding to the sensor surface.

The sensor has a cylindrical housing made of stainless steel 1.4305 with an M8x1mm thread and an electrical connection with a 3-pin M12 connector. It can be flush-mounted and is suitable for standard applications.

Electrical features

Display	LED display
Type of switching function	Normally open contact (NO)
Type of electrical connection	Connector M12
Type of switching output	PNP
Rated switching current	200 mA
Relative hysteresis	15 %
Correction factor (aluminum)	0.3
Correction factor (copper)	0.2
Correction factor (brass)	0.4
Correction factor (St37)	1
Correction factor (stainl. steel)	0.7
Short-circuit protection	Yes
No-load current	15 mA
Number of pins	3
Relative repeat accuracy	10 %
Switching distance	1,5 mm
Switching frequency	1000 Hz
Voltage drop	2 V
Reverse polarity protection	Yes
Operating voltage (DC)	10 - 30 V

Mechanical features

Alignment of cable entry	axial
Design	Cylinder, screw-thread
Thread length	39 mm
Thread pitch	1 mm
Cable infeed	axial
Length	60 mm
Mechanical mounting condition for sensor	flush
Degree of protection (IP)	IP67
Active area material of sensor	Plastic (PBT)
Housing material	Stainless steel 1.4305
Thread dimension	M8
Ambient temperature	-25 - 70 °C

Other features

Reference medium / object	Standard measuring plate FE360 8x8x1mm
---------------------------	--

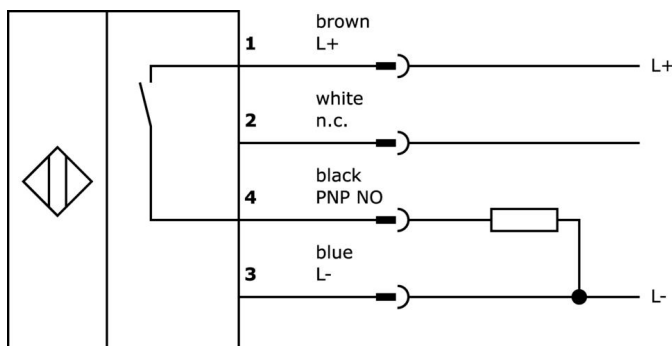
Classification

ETIM 8	EC002714 Inductive proximity switch
--------	-------------------------------------

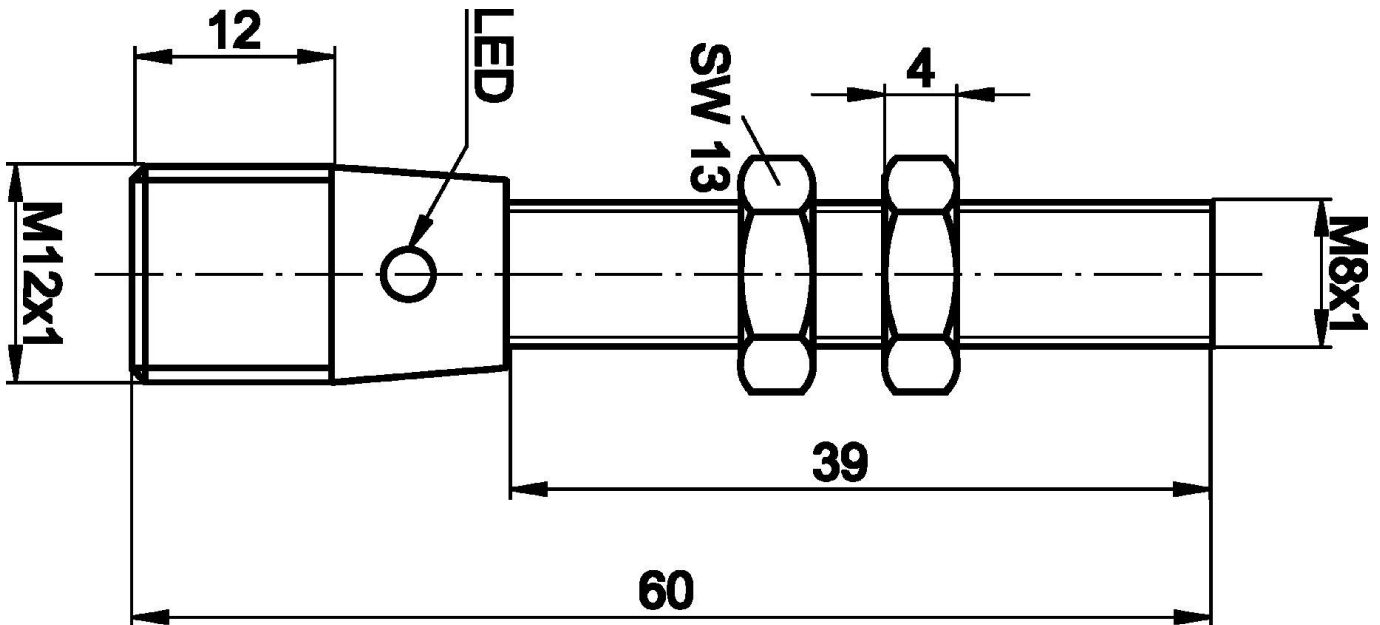
More

IPF Product Group	200 inductive sensors
packaging dimensions	120 x 100 x 17 mm
gross weight	30 g
Customs tariff number	85365019
WEEE number	40951076
OzDS-compliant	Yes
POP-compliant	Yes
Reach-compliant	Yes
RoHS-compliant	Yes

Connection



Dimensional drawing



Extract accessories program

VK030F60



Connection cable, 0.3m, M12 socket 3-pin angular, M8 connector 3-pin straight, 3x0.34mm², PUR (polyurethane), 60V, IP67, suitable for trailing chain and torsion resistant, oils and cooling lubricants, welding area, silicone-free

VK030F64



Connection cable, 0.3m, M12 socket 3-pin straight, M8 connector 3-pin straight, 3x0.34mm², PUR (polyurethane), 60V, IP67, suitable for trailing chain and torsion resistant, oils and cooling lubricants, welding area, silicone-free

VY200120



time stage, Turn-on/turn-off delayed, Ø20mm 60long, 65s, 10-30V DC, 1x NO, M12 4pin, IP67, Plastic, Teach-In

VY030125



time stage, Turn-on delay, 0-0.15s, 10-35V DC, 1x NO, M12 3pin 0.3m, IP67, Plastic, Potentiometer

AY000155



accessories sensor, Clamp sleeve, M12x1 32long, Brass White bronze

VK030F62



Connection cable, 0.3m, M12 socket 3-pin angular, M8 connector 3-pin straight, 3x0.34mm², PUR (polyurethane), IP67, LED, suitable for trailing chain and torsion resistant, oils and cooling lubricants, welding area, silicone-free

VK060F62



Connection cable, 0.6m, M12 socket 3-pin angular, M8 connector 3-pin straight, 3x0.34mm², PUR (polyurethane), IP67, LED, suitable for trailing chain and torsion resistant, oils and cooling lubricants, welding area, silicone-free

VK200021



Connection cable, 2m, M12 Female (socket) 3pin Angular, Free conductor end, 3x0.34mm², PUR (Polyurethane), Ø4.3mm, 250V, -30-90°C, IP67, Suitable for trailing chain and torsion resistant, Oil and cooling lubricants, Welding area, Silicone-free

VK200025



Connection cable, 2m, M12 Female (socket) 3pin Straight, Free conductor end, 3x0.34mm², PUR (Polyurethane), Ø4.3mm, 250V, -30-90°C, IP67, Suitable for trailing chain and torsion resistant, Oil and cooling lubricants, Welding area, Silicone-free

You can find further accessories on our homepage

**Installation**

Mounting / installation may only be carried out by a qualified electrician!

**Disposal**

WEEE number according to § 6 para. 3
ElektroG: 40951076

Safety warnings

- / Before initial operation, please make sure to follow all safety instructions that may be provided in the product information.
- / Never use these devices in applications where the safety of a person depends on their functionality.