

IB080124

Inductive sensors • Norm switching distance

sensor inductive, M8x1.45long, Flush, Sn: 1.5, 10-30V DC, PNP NO, IO-Link, Connector M12, IP67, V2A

including Nut, Toothed washer



The IB080124 inductive sensor was manufactured in accordance with EN 60947-5-2 and is specially designed for use in soiling areas and harsh environmental conditions. The sensor recognizes conductive metals at short distances and is not affected by other materials.

The switching distance of the sensor is 1.5mm at the factory and is set using a norm measuring plate whose edge length corresponds to the diameter of the sensor surface. The cylindrical housing of the sensor is made of stainless steel and has an M8x1mm thread for mounting. The electrical connection is made via a fault. The sensor is suitable for all standard applications.

Electrical features

Type of switching function	Normally open contact (NO)
Type of electrical connection	Connector M12
Type of switching output	PNP
Rated switching current	200 mA
Relative hysteresis	5 %
Correction factor (aluminum)	0.2
Correction factor (copper)	0.7
Correction factor (brass)	0.35
Correction factor (St37)	1
Correction factor (stainl. steel)	0.2
Short-circuit protection	Yes
No-load current	10 mA
Relative repeat accuracy	4.67 %
Switching distance	1,5 mm
Switching frequency	5000 Hz
Voltage drop	2 V
Reverse polarity protection	Yes
Supported communication interface	IO-Link
Operating voltage (DC)	10 - 30 V

Mechanical features

Alignment of cable entry	axial
Design	Cylinder, screw-thread
Thread pitch	1 mm
Cable infeed	axial
Length	45 mm
Mechanical mounting condition for sensor	flush
Degree of protection (IP)	IP67
Active area material of sensor	Plastic (PA6.6)
Housing material	Stainless steel
Thread dimension	M8
Ambient temperature	-25 - 70 °C

Other features

IO-Link version	V1.0.1
Reference medium / object	Standard measuring plate FE360 8x8x1mm

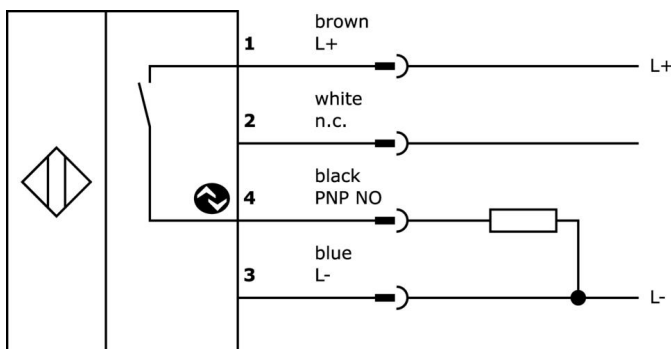
Classification

ETIM 8	EC002714 Inductive proximity switch
--------	-------------------------------------

More

IPF Product Group	200 inductive sensors
packaging dimensions	210 x 180 x 15 mm
gross weight	20 g
Customs tariff number	85365019
WEEE number	40951076
Reach-compliant	Yes
RoHS-compliant	Yes

Connection



Extract accessories program

AY000162



Accessories, magnetic, Ø43mm, neodymium-iron-boron, inside thread M5, rubber

AY000159



accessories sensor, Mounting pipe, Ø12mm 200long, Aluminum Anodised

VY000005



IO-Link master, 41x24x67mm, IO-Link, M12, With USB interface

AY000155



accessories sensor, Clamp sleeve, M12x1 32long, Brass White bronze

VK200021



Connection cable, 2m, M12 Female (socket) 3pin Angular, Free conductor end, 3x0.34mm², PUR (Polyurethane), Ø4.3mm, 250V, -30-90°C, IP67, Suitable for trailing chain and torsion resistant, Oil and cooling lubricants, Welding area, Silicone-free

VK200025



Connection cable, 2m, M12 Female (socket) 3pin Straight, Free conductor end, 3x0.34mm², PUR (Polyurethane), Ø4.3mm, 250V, -30-90°C, IP67, Suitable for trailing chain and torsion resistant, Oil and cooling lubricants, Welding area, Silicone-free

VK200221



Connection cable, 2m, M12 Female (socket) 3pin Angular, Free conductor end, 3x0.34mm², PUR (Polyurethane), Ø4.3mm, -30-90°C, IP67, With LED display, Suitable for trailing chain and torsion resistant, Oil and cooling lubricants, Welding area, Silic...

VK200225



Connection cable, 2m, M12 Female (socket) 3pin Straight, Free conductor end, 3x0.34mm², PUR (Polyurethane), Ø4.3mm, -30-90°C, IP67, With LED display, Suitable for trailing chain and torsion resistant, Oil and cooling lubricants, Welding area, Sili...

AY000115



accessories sensor, Fixture kit, Metal, ball joint

You can find further accessories on our homepage



Installation

Mounting / installation may only be carried out by a qualified electrician!



Disposal

WEEE number according to § 6 para. 3 ElektroG: 40951076

Safety warnings

/ Before initial operation, please make sure to follow all safety instructions that may be provided in the product information.

/ Never use these devices in applications where the safety of a person depends on their functionality.

/ Any software, drivers or IODD files that may be required to operate your device can be downloaded free of charge from our homepage: www.ipf-electronic.com