

IB08C595

Inductive sensors • Norm switching distance

sensor inductive, M8x1 80long, Flush, Sn: 1.5, 10-30V DC, PNP NO, Connector M12 4pin, IP67, Brass Nickel-plated

including Nut



The IB08C595 inductive sensor recognizes conductive metals at short distances and is unaffected by other materials, making it ideal for use in soiling and harsh environments. The sensor complies with EN 60947-5-2 and is suitable for standard applications. The switching distance is set at the factory using a norm measuring plate that corresponds to the diameter of the sensor surface. The flush-mountable sensor has a switching distance of 1.5mm, a cylindrical housing made of brass with an M8x1mm thread and an electrical connection with an M12 4-pin connector.

Electrical features

Type of switching function	Normally open contact (NO)
Type of electrical connection	Connector M12
Type of switching output	PNP
Rated switching current	200 mA
Relative hysteresis	15 %
No-load current	8 mA
Number of pins	4
Relative repeat accuracy	5 %
Switching distance	1,5 mm
Switching frequency	2000 Hz
Voltage drop	2.4 V
Operating voltage (DC)	10 - 30 V

Mechanical features

Alignment of cable entry	axial
Design	Cylinder, screw-thread
Thread length	59 mm
Thread pitch	1 mm
Cable infeed	axial
Length	80 mm
Mechanical mounting condition for sensor	flush
Surface	nickel-plated
Degree of protection (IP)	IP67
Active area material of sensor	Plastic (PBT)
Housing material	Brass
Thread dimension	M8
Ambient temperature	-25 - 70 °C

Other features

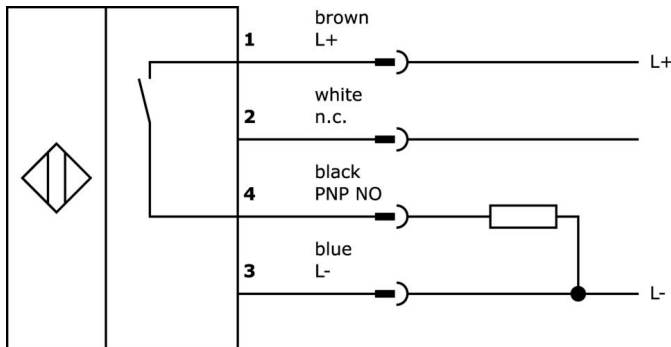
Reference medium / object	Standard measuring plate FE360 8x8x1mm
---------------------------	--

Classification

ETIM 8	EC002714 Inductive proximity switch
--------	-------------------------------------

More

IPF Product Group	203 inductive sensors (diverse)
packaging dimensions	120 x 100 x 12 mm
gross weight	19 g
Customs tariff number	85365019
WEEE number	40951076
OzDS-compliant	Yes
POP-compliant	Yes
Reach-compliant	Yes
RoHS-compliant	Yes

Connection

Extract accessories program

VK003020



Cable socket, angular, self-assembly, screw connection, Ø3-6.5mm, 4A, 240V, -25-90°C, M12 socket 4-pin, IP67, PBT

VK003024



Cable socket, Straight, Suitable for self-assembly, Screw connection, Ø3-6.5mm, 4A, 240V, -25-90°C, M12 Female (socket) 4pin, IP67, PBT

AY000155



accessories sensor, Clamp sleeve, M12x1 32long, Brass White bronze

AY000162



Accessories, magnetic, Ø43mm, neodymium-iron-boron, inside thread M5, rubber

AY000159



accessories sensor, Mounting pipe, Ø12mm 200long, Aluminum Anodised

VK200021



Connection cable, 2m, M12 Female (socket) 3pin Angular, Free conductor end, 3x0.34mm², PUR (Polyurethane), Ø4.3mm, 250V, -30-90°C, IP67, Suitable for trailing chain and torsion resistant, Oil and cooling lubricants, Welding area, Silicone-free

VK200025



Connection cable, 2m, M12 Female (socket) 3pin Straight, Free conductor end, 3x0.34mm², PUR (Polyurethane), Ø4.3mm, 250V, -30-90°C, IP67, Suitable for trailing chain and torsion resistant, Oil and cooling lubricants, Welding area, Silicone-free

VK200221



Connection cable, 2m, M12 Female (socket) 3pin Angular, Free conductor end, 3x0.34mm², PUR (Polyurethane), Ø4.3mm, -30-90°C, IP67, With LED display, Suitable for trailing chain and torsion resistant, Oil and cooling lubricants, Welding area, Silic...

VK200225



Connection cable, 2m, M12 Female (socket) 3pin Straight, Free conductor end, 3x0.34mm², PUR (Polyurethane), Ø4.3mm, -30-90°C, IP67, With LED display, Suitable for trailing chain and torsion resistant, Oil and cooling lubricants, Welding area, Silic...

You can find further accessories on our homepage



Installation

Mounting / installation may only be carried out by a qualified electrician!



Disposal

WEEE number according to § 6 para. 3 ElektroG: 40951076

Safety warnings

/ Before initial operation, please make sure to follow all safety instructions that may be provided in the product information.

/ Never use these devices in applications where the safety of a person depends on their functionality.