

IB08E337

Inductive sensors • Norm switching distance

sensor inductive, M8x1 30long, Flush, Sn: 2, 10-30V DC, -25-85°C, PNP NO, Cable connector M8 3pin 0.3m PUR (Polyurethane), IP67, Stainless steel 1.4305



The IB08E337 inductive sensor is specially designed for use in soiling areas and harsh environmental conditions. It recognizes conductive metals at short distances and is not influenced by other materials. The sensor is manufactured in accordance with EN 60947-5-2 and is suitable for standard applications.

The switching distance of the sensor is set at the factory to 2 mm and is adjusted using a norm measuring plate with an edge length corresponding to the diameter of the sensor surface. The cylindrical housing of the sensor is made of stainless steel 1.4305 and has an M8x1mm thread. The electrical connection is made via istFehler.

Electrical features

Response/decay time	0.25 ms
Display	LED display
Type of switching function	Normally open contact (NO)
Type of electrical connection	Cable connector M8
Type of switching output	PNP
Rated switching current	200 mA
Readiness delay	100 ms
Relative hysteresis	15 %
Correction factor (aluminum)	0.3
Correction factor (copper)	0.2
Correction factor (brass)	0.4
Correction factor (St37)	1
Correction factor (stainl. steel)	0.7
Short-circuit protection	Yes
No-load current	13 mA
Number of pins	3
Relative repeat accuracy	5 %
Residual ripple	10 %
Switching distance	2 mm
Switching frequency	2000 Hz
Voltage drop	2.4 V
Reverse polarity protection	Yes
Decay time	0.25 ms
Operating voltage (DC)	10 - 30 V

Mechanical features

Number of cores	3
Conductor cross-section	0.14 mm ²
Alignment of cable entry	axial
Design	Cylinder, screw-thread
Thread length	11.7 mm
Thread pitch	1 mm
Cable length	0.3 m
Cable infeed	axial
Length	30 mm
Maximum tightening torque	2.5 Nm
Mechanical mounting condition for sensor	flush
Degree of protection (IP)	IP67
Active area material of sensor	Plastic (PA6)
Housing material	Stainless steel 1.4305
Material of cable sheath	Plastic (PUR)
Thread dimension	M8
Ambient temperature	-25 - 85 °C

Other features

Reference medium / object	Standard measuring plate FE360 8x8x1mm
---------------------------	--

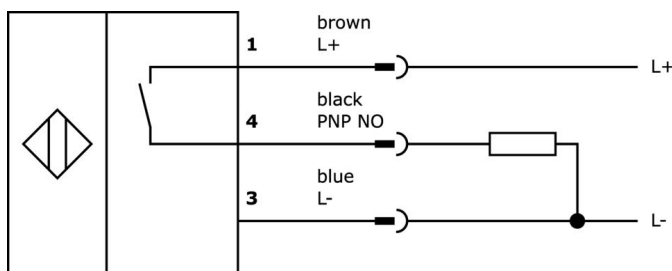
Classification

ETIM 8	EC002714 Inductive proximity switch
--------	-------------------------------------

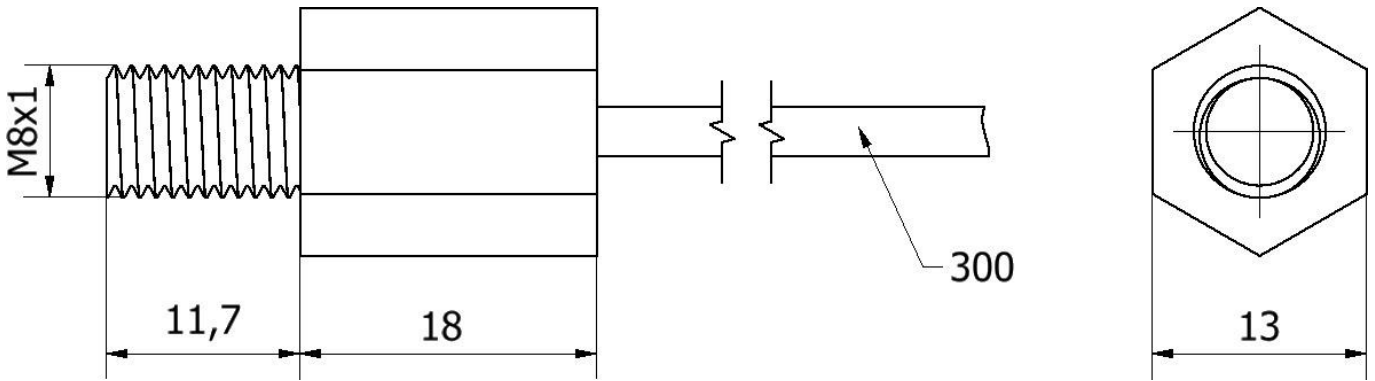
More

IPF Product Group	700 special devices
packaging dimensions	120 x 100 x 16 mm
gross weight	26 g
Customs tariff number	85365019
WEEE number	40951076
OzDS-compliant	Yes
POP-compliant	Yes
Reach-compliant	Yes
RoHS-compliant	Yes

Connection



Dimensional drawing



Extract accessories program

VK003070



Cable socket, Angular, Suitable for self-assembly, Soldering connection, Ø3.5-5mm, 4A, 60V, -40-85°C, M8 Female (socket) 3pin, IP67, Brass

VK003074



Cable socket, Straight, Suitable for self-assembly, Soldering connection, Ø3.5-5mm, 4A, 60V, -40-85°C, M8 Female (socket) 3pin, IP67, Brass

AY98C293



accessories sensor, Teflon cap, M8x1 5long, Polytetrafluorethylene (PTFE)

VK030F72



Connection cable, 0.3m, M8 socket 3-pin angular, M8 connector 3-pin straight, 3x0.34mm², PUR (polyurethane), IP67, LED, suitable for trailing chain and torsion resistant, oils and cooling lubricants, welding area, silicone-free

VK060F72



Connection cable, 0.6m, M8 socket 3-pin angular, M8 connector 3-pin straight, 3x0.34mm², PUR (polyurethane), IP67, LED, suitable for trailing chain and torsion resistant, oils and cooling lubricants, welding area, silicone-free

VK030F82



Connection cable, 0.3m, M8 socket 3-pin angular, M12 connector 3-pin straight, 3x0.34mm², PUR (polyurethane), IP67, LED, suitable for trailing chain and torsion resistant, oils and cooling lubricants, welding area, silicone-free

VK060F82



Connection cable, 0.6m, M8 socket 3-pin angular, M12 connector 3-pin straight, 3x0.34mm², PUR (polyurethane), IP67, LED, suitable for trailing chain and torsion resistant, oils and cooling lubricants, welding area, silicone-free

VK030F80



Connection cable, 0.3m, M8 socket 3-pin angular, M12 connector 3-pin straight, 3x0.34mm², PUR (polyurethane), 60V, IP67, suitable for trailing chain and torsion resistant, oils and cooling lubricants, welding area, silicone-free

VK030F84



Connection cable, 0.3m, M8 socket 3-pin straight, M12 connector 3-pin straight, 3x0.34mm², PUR (polyurethane), 60V, IP67, suitable for trailing chain and torsion resistant, oils and cooling lubricants, welding area, silicone-free

You can find further accessories on our homepage



Installation

Mounting / installation may only be carried out by a qualified electrician!



Disposal

WEEE number according to § 6 para. 3 ElektroG: 40951076

Safety warnings

! Before initial operation, please make sure to follow all safety instructions that may be provided in the product information.

! Never use these devices in applications where the safety of a person depends on their functionality.