

IB120100

Inductive sensors • Norm switching distance

sensor inductive, M12x1 52long, Flush, Sn: 3, 10-30V DC, PNP NO, Cable 2m PVC, IP67, Brass Nickel-plated

including Nut



The IB120100 inductive sensor is manufactured in accordance with EN 60947-5-2 and is ideal for use in soiling environments and other harsh conditions. It recognizes conductive metals at short distances and is not affected by other materials.

This sensor has a switching distance of 3mm, which is set at the factory using a norm measuring plate. The cylindrical housing of the sensor is made of brass and has an M12x1mm thread. The electrical connection is made via a 3-wire 2m connection cable. The sensor can be flush-mounted and is suitable for standard applications.

Electrical features

Display	LED display
Type of switching function	Normally open contact (NO)
Type of electrical connection	Cable
Type of switching output	PNP
Rated switching current	200 mA
Relative hysteresis	15 %
Correction factor (aluminum)	0.3
Correction factor (copper)	0.2
Correction factor (brass)	0.4
Correction factor (St37)	1
Correction factor (stainl. steel)	0.7
Short-circuit protection	Yes
No-load current	15 mA
Relative repeat accuracy	10 %
Switching distance	3 mm
Switching frequency	800 Hz
Voltage drop	2 V
Reverse polarity protection	Yes
Operating voltage (DC)	10 - 30 V

Mechanical features

Number of cores	3
Alignment of cable entry	axial
Design	Cylinder, screw-thread
Thread length	40 mm
Thread pitch	1 mm
Cable length	2 m
Cable infeed	axial
Length	51.5 mm
Mechanical mounting condition for sensor	flush
Surface	nickel-plated
Degree of protection (IP)	IP67
Active area material of sensor	Plastic (PBT)
Housing material	Brass
Material of cable sheath	Plastic (PVC)
Thread dimension	M12
Ambient temperature	-25 - 70 °C
Line diameter	5 mm

Other features

Reference medium / object	Standard measuring plate FE360 12x12x1mm
---------------------------	--

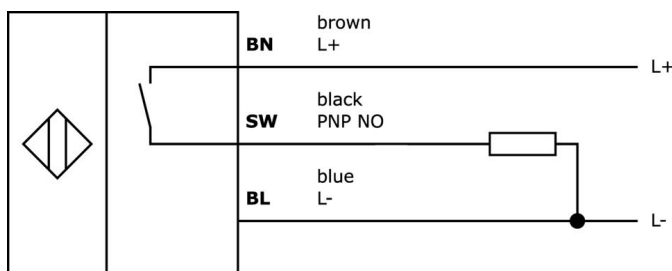
Classification

ETIM 8	EC002714 Inductive proximity switch
--------	-------------------------------------

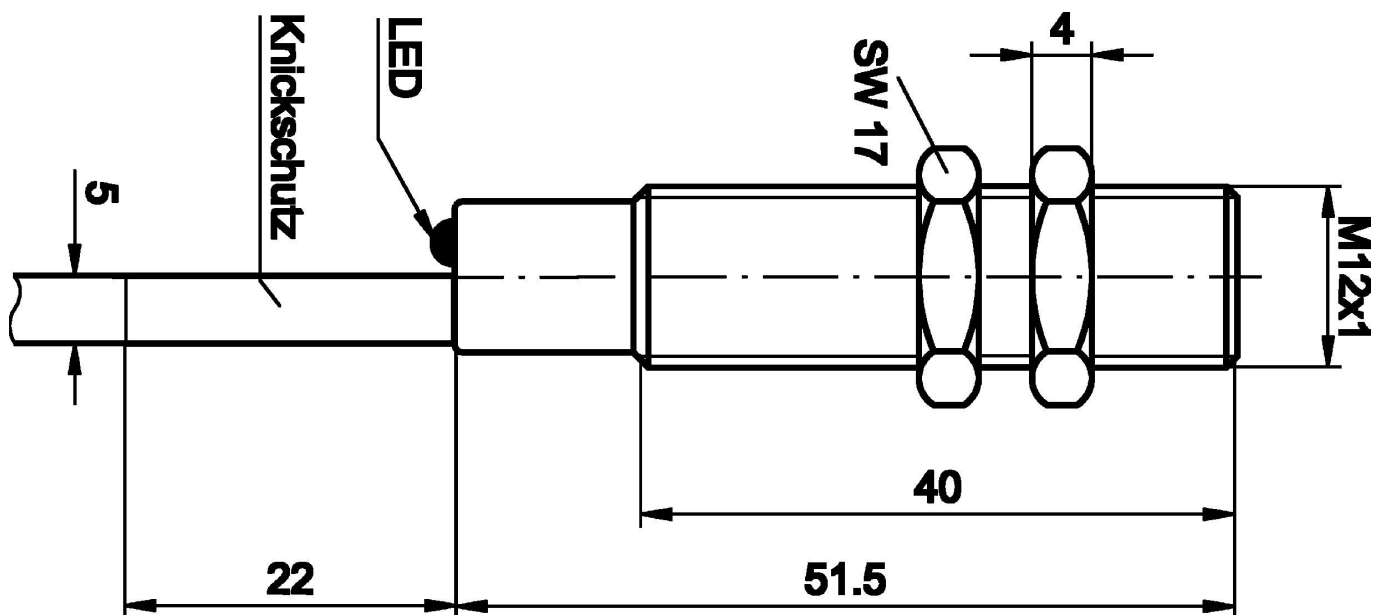
More

IPF Product Group	200 inductive sensors
packaging dimensions	123 x 77 x 25 mm
gross weight	100 g
Customs tariff number	85365019
WEEE number	40951076
OzDS-compliant	Yes
POP-compliant	Yes
Reach-compliant	Yes
RoHS-compliant	Yes

Connection



Dimensional drawing



Extract accessories program

VL250100



Logic module, 49x80x26mm, AND, 4fold, 10-35V DC, sensor side Clamp, control side Clamp, IP40, Plastic

VL250120



Logic module, 49x80x26mm, OR, 4fold, 10-35V DC, sensor side Clamp, control side Clamp, IP40, Plastic

VK003026



Cable connector, Angular, Suitable for self-assembly, Screw connection, Ø3-6.5mm, 4A, 240V, -25-90°C, M12 Male (connector) 4pin, IP67, PBT

VK003028



Cable connector, Straight, Suitable for self-assembly, Screw connection, Ø3-6.5mm, 4A, 240V, -25-90°C, M12 Male (connector) 4pin, IP67, PBT

VK003076



Cable connector, Angular, Suitable for self-assembly, Soldering connection, 4A, 60V, -40-85°C, M8 Male (connector) 3pin, IP67, Brass

VK003078



Cable connector, Straight, Suitable for self-assembly, Soldering connection, Ø3.5-5mm, 4A, 60V, -40-85°C, M8 Male (connector) 3pin, IP67, Brass

AY000115



accessories sensor, Fixture kit, Metal, ball joint

AY000162



Accessories, magnetic, Ø43mm, neodymium-iron-boron, inside thread M5, rubber

AY000156



accessories sensor, Clamp sleeve, M16x1 31long, Brass White bronze

You can find further accessories on our homepage



Installation

Mounting / installation may only be carried out by a qualified electrician!



Disposal

WEEE number according to § 6 para. 3 ElektroG: 40951076

Safety warnings

- / Before initial operation, please make sure to follow all safety instructions that may be provided in the product information.
- / Never use these devices in applications where the safety of a person depends on their functionality.