

IB120126

Inductive sensors • Increased switching distance

sensor inductive, M12x1 60long, Quasi-flat, Sn: 6, 10-30V DC, PNP NO, Connector M12 3pin, IP67, Brass Chrome-plated

including Nut, Toothed washer



Inductive proximity switches are contact-free sensors. They detect all conductive metals, regardless of whether they move or not. The achievable sensing range of the devices depends on the object material and its dimensions. The vibration-resistant sensors can be approached laterally or frontally. Inductive proximity switches are used for presence detection (e.g. goods carriers), positioning (e.g. dampers), counting (e.g. nuts /bolts), speed detection (e.g. for cog wheels), on conveyor systems (e.g. hose feedings) or distance measurements (e.g. press-in checking) of metallic objects.

Electrical features

Display	LED display
Type of switching function	Normally open contact (NO)
Type of electrical connection	Connector M12
Type of switching output	PNP
Rated switching current	200 mA
Relative hysteresis	10 %
Correction factor (aluminum)	0.3
Correction factor (copper)	0.25
Correction factor (brass)	0.4
Correction factor (St37)	1
Correction factor (stainl. steel)	0.7
Short-circuit protection	Yes
No-load current	10 mA
Number of pins	3
Relative repeat accuracy	5 %
Switching distance	6 mm
Switching frequency	800 Hz
Voltage drop	2 V
Reverse polarity protection	Yes
Operating voltage (DC)	10 - 30 V

Mechanical features

Alignment of cable entry	axial
Design	Cylinder, screw-thread
Thread length	40 mm
Thread pitch	1 mm
Cable infeed	axial
Length	60 mm
Maximum tightening torque	6 Nm
Mechanical mounting condition for sensor	semi-flush
Surface	Chrome-plated
Degree of protection (IP)	IP67
Active area material of sensor	Plastic (PBTP)
Housing material	Brass
Thread dimension	M12
Ambient temperature	-25 - 70 °C

Other features

Reference medium / object	Standard measuring plate FE360 18x18x1mm
---------------------------	--

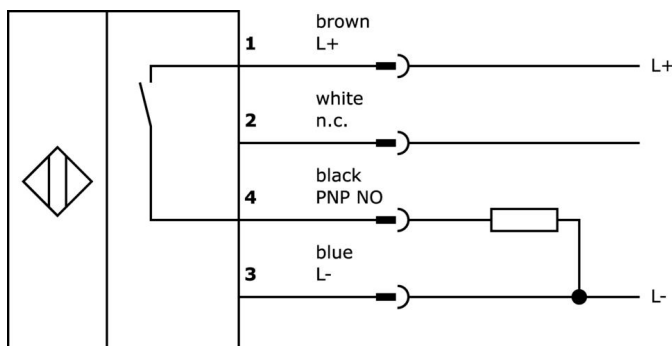
Classification

ETIM 8	EC002714 Inductive proximity switch
--------	-------------------------------------

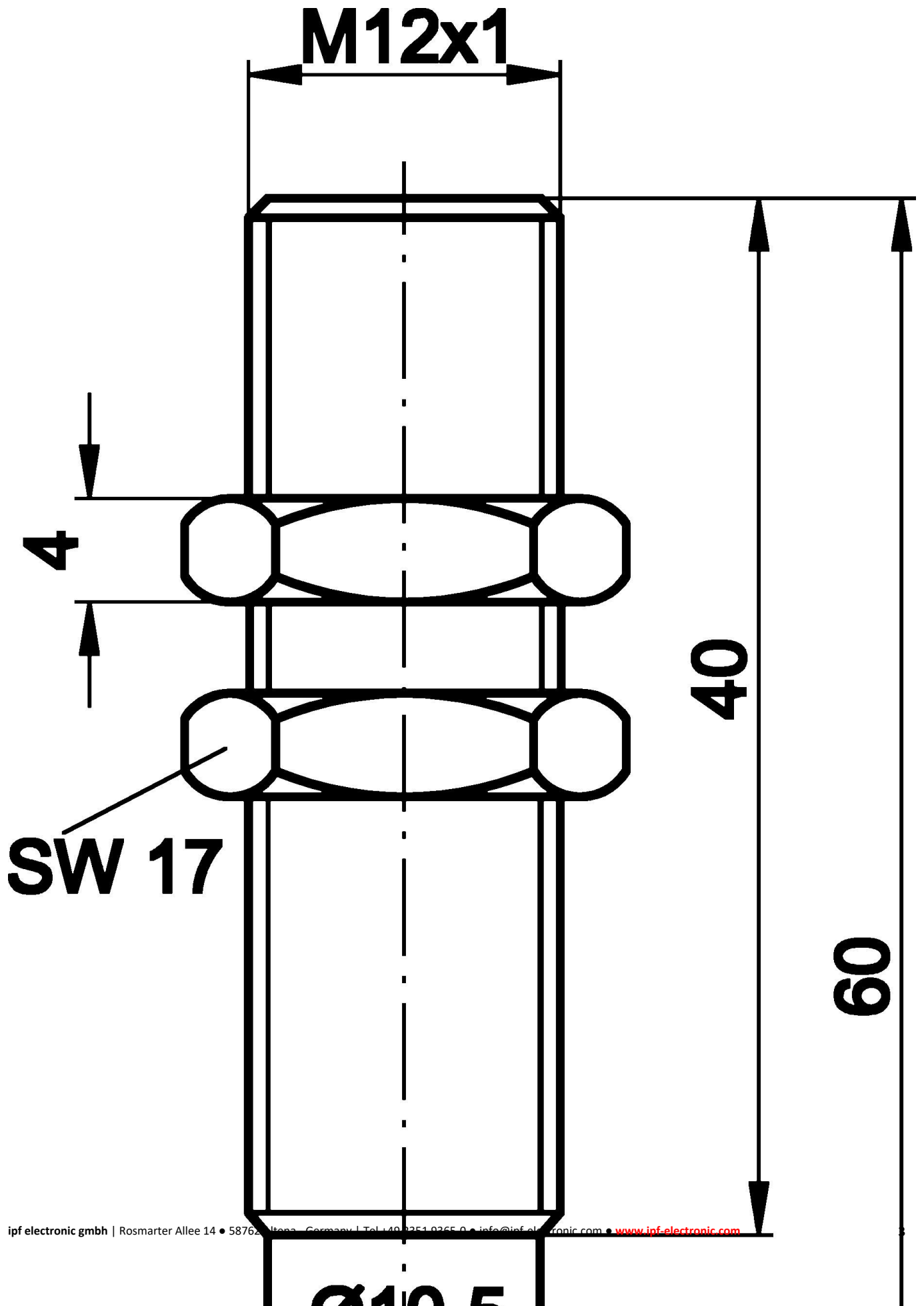
More

IPF Product Group	201 inductive sensors (plus / super plus)
packaging dimensions	215 x 180 x 17 mm
gross weight	40 g
Customs tariff number	85365019
WEEE number	40951076
Reach-compliant	Yes
RoHS-compliant	Yes

Connection




Dimensional drawing




Extract accessories program

VK030F23

 Connection cable, 0.3m, M12 socket 4-pin angular, M12 connector 4-pin straight, 4x0.34mm², PUR (polyurethane), IP67, LED, suitable for trailing chain and torsion resistant, oils and cooling lubricants, welding area, silicone-free


VK030F26

 Connection cable, 0.3m, M12 socket 4-pin straight, M12 connector 4-pin straight, 4x0.34mm², PUR (polyurethane), IP67, LED, suitable for trailing chain and torsion resistant, oils and cooling lubricants, welding area, silicone-free


AY000162

 Accessories, magnetic, Ø43mm, neodymium-iron-boron, inside thread M5, rubber


AY000159

 accessories sensor, Mounting pipe, Ø12mm 200long, Aluminum Anodised

VK200221

 Connection cable, 2m, M12 Female (socket) 3pin Angular, Free conductor end, 3x0.34mm², PUR (Polyurethane), Ø4.3mm, -30-90°C, IP67, With LED display, Suitable for trailing chain and torsion resistant, Oil and cooling lubricants, Welding area, Silic...


VK200225

 Connection cable, 2m, M12 Female (socket) 3pin Straight, Free conductor end, 3x0.34mm², PUR (Polyurethane), Ø4.3mm, -30-90°C, IP67, With LED display, Suitable for trailing chain and torsion resistant, Oil and cooling lubricants, Welding area, Silic...


AY000115

 accessories sensor, Fixture kit, Metal, ball joint

VK200021

 Connection cable, 2m, M12 Female (socket) 3pin Angular, Free conductor end, 3x0.34mm², PUR (Polyurethane), Ø4.3mm, 250V, -30-90°C, IP67, Suitable for trailing chain and torsion resistant, Oil and cooling lubricants, Welding area, Silicone-free

VK200025

 Connection cable, 2m, M12 Female (socket) 3pin Straight, Free conductor end, 3x0.34mm², PUR (Polyurethane), Ø4.3mm, 250V, -30-90°C, IP67, Suitable for trailing chain and torsion resistant, Oil and cooling lubricants, Welding area, Silicone-free

You can find further accessories on our homepage



Installation

Mounting / installation may only be carried out by a qualified electrician!



Disposal

WEEE number according to § 6 para. 3 ElektroG: 40951076

Safety warnings

/ Before initial operation, please make sure to follow all safety instructions that may be provided in the product information.

/ Never use these devices in applications where the safety of a person depends on their functionality.