

IB120189

Inductive sensors • welding-proof

sensor inductive, M12x1 50long, Flush, Sn: 3.5, 10-30V DC, -25-85°C, PNP NO, Connector M12 3pin, IP67, V2A Teflon coated, welding-proof, factor 1

including Nut



Inductive proximity switches are contact-free sensors. They detect all conductive metals, regardless of whether they move or not. The achievable sensing range of the devices depends on the object material and its dimensions. The vibration-resistant sensors can be approached laterally or frontally. Inductive proximity switches are used for presence detection (e.g. goods carriers), positioning (e.g. dampers), counting (e.g. nuts /bolts), speed detection (e.g. for cog wheels), on conveyor systems (e.g. hose feedings) or distance measurements (e.g. press-in checking) of metallic objects.

Electrical features

Display	LED display
Type of switching function	Normally open contact (NO)
Type of electrical connection	Connector M12
Type of switching output	PNP
Rated switching current	200 mA
Relative hysteresis	15 %
Correction factor (aluminum)	1
Correction factor (copper)	1
Correction factor (brass)	1
Correction factor (St37)	1
Correction factor (stainless steel V2A: 1mm)	1
Correction factor (stainless steel V2A: 2mm)	1
Correction factor (stainl. steel)	1
Short-circuit protection	Yes
No-load current	20 mA
Number of pins	3
Switching distance	3,5 mm
Switching frequency	20000 Hz
Voltage drop	2.5 V
Interference resistance to magnetic fields	Immune against magnetic AC-field
Reverse polarity protection	Yes
Operating voltage (DC)	10 - 30 V

Mechanical features

Alignment of cable entry	axial
Design	Cylinder, screw-thread
Thread length	29 mm
Thread pitch	1 mm
Cable infeed	axial
Length	50 mm
Mechanical mounting condition for sensor	flush
Surface	teflon coated
Degree of protection (IP)	IP67
Active area material of sensor	Plastic (PBT)
Housing material	Stainless steel 1.4301
Thread dimension	M12
Ambient temperature	-25 - 85 °C

Other features

Welding area	Yes
Reference medium / object	Standard measuring plate FE360 12x12x1mm

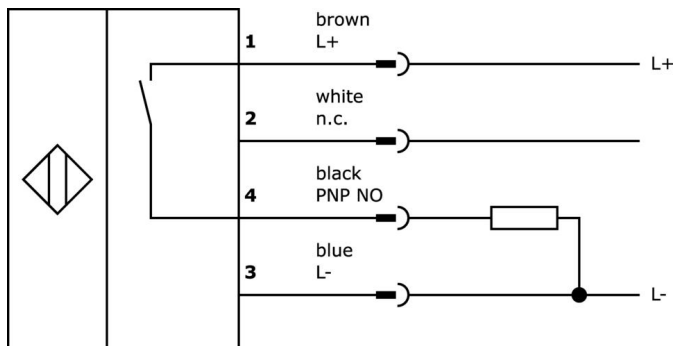
Classification

ETIM 8	EC002714 Inductive proximity switch
--------	-------------------------------------

More

IPF Product Group	207 inductive sensors (welding proof)
packaging dimensions	120 x 100 x 20 mm
gross weight	25 g
Customs tariff number	85365019
WEEE number	40951076
Reach-compliant	Yes
RoHS-compliant	Yes

Connection



Extract accessories program

VK003021



Cable socket, Angular, Suitable for self-assembly, Screw connection, Ø3-6.5mm, 4A, 60V, -25-90°C, M12 Female (socket) 5pin, IP67, PBT

VK003025



Cable socket, Straight, Suitable for self-assembly, Screw connection, Ø3-6.5mm, 4A, 60V, -25-90°C, M12 Female (socket) 5pin, IP67, PBT

VK200021



Connection cable, 2m, M12 Female (socket) 3pin Angular, Free conductor end, 3x0.34mm², PUR (Polyurethane), Ø4.3mm, 250V, -30-90°C, IP67, Suitable for trailing chain and torsion resistant, Oil and cooling lubricants, Welding area, Silicone-free

VK200025



Connection cable, 2m, M12 Female (socket) 3pin Straight, Free conductor end, 3x0.34mm², PUR (Polyurethane), Ø4.3mm, 250V, -30-90°C, IP67, Suitable for trailing chain and torsion resistant, Oil and cooling lubricants, Welding area, Silicone-free

AY000156



accessories sensor, Clamp sleeve, M16x1 31long, Brass White bronze

AY000141



Plastic sheath, Ø17mm, Inner diameter 10mm, -40-250°C, Glass fiber with silicone rubber, Short-term resistance to weld spatter 1200°C, Tensile strength 400N, Flexible, Flame retardant, yard good

VK200221



Connection cable, 2m, M12 Female (socket) 3pin Angular, Free conductor end, 3x0.34mm², PUR (Polyurethane), Ø4.3mm, -30-90°C, IP67, With LED display, Suitable for trailing chain and torsion resistant, Oil and cooling lubricants, Welding area, Silic...

VK200225



Connection cable, 2m, M12 Female (socket) 3pin Straight, Free conductor end, 3x0.34mm², PUR (Polyurethane), Ø4.3mm, -30-90°C, IP67, With LED display, Suitable for trailing chain and torsion resistant, Oil and cooling lubricants, Welding area, Sili...

AY000162



Accessories, magnetic, Ø43mm, neodymium-iron-boron, inside thread M5, rubber

You can find further accessories on our homepage



Installation

Mounting / installation may only be carried out by a qualified electrician!



Disposal

WEEE number according to § 6 para. 3 ElektroG: 40951076

Safety warnings

/ Before initial operation, please make sure to follow all safety instructions that may be provided in the product information.

/ Never use these devices in applications where the safety of a person depends on their functionality.