

IB120221

Inductive sensors • Norm switching distance

sensor inductive, M12x1 60long, Flush, Sn: 3, 10-30V DC, PNP NC, Connector M12 4pin, IP67, Brass Nickel-plated

including Nut



The IB120221 inductive sensor recognizes conductive metals at short distances and is unaffected by other materials, making it ideal for use in soiling and harsh environments. The sensor complies with EN 60947-5-2 and is suitable for standard applications. The switching distance is set at the factory using a norm measuring plate whose edge length corresponds to the diameter of the sensor surface. According to the standard, the flush sensor has a switching distance of 3 mm and a cylindrical housing made of brass with an M12x1 mm thread. The electrical connection is made via a 4-pin M12 plug connector.

Electrical features

Display	LED display
Type of switching function	Normally closed contact (NC)
Type of electrical connection	Connector M12
Type of switching output	PNP
Rated switching current	200 mA
Relative hysteresis	15 %
Correction factor (aluminum)	0.3
Correction factor (copper)	0.2
Correction factor (brass)	0.4
Correction factor (St37)	1
Correction factor (stainl. steel)	0.7
Short-circuit protection	Yes
No-load current	15 mA
Number of pins	4
Relative repeat accuracy	10 %
Switching distance	3 mm
Switching frequency	800 Hz
Voltage drop	2 V
Reverse polarity protection	Yes
Operating voltage (DC)	10 - 30 V

Mechanical features

Alignment of cable entry	axial
Design	Cylinder, screw-thread
Thread length	40 mm
Thread pitch	1 mm
Cable infeed	axial
Length	60 mm
Mechanical mounting condition for sensor	flush
Surface	nickel-plated
Degree of protection (IP)	IP67
Active area material of sensor	Plastic (PBT)
Housing material	Brass
Thread dimension	M12
Ambient temperature	-25 - 70 °C

Other features

Reference medium / object	Standard measuring plate FE360 12x12x1mm
---------------------------	--

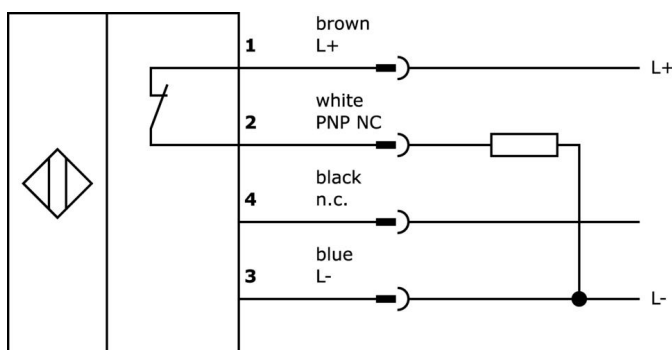
Classification

ETIM 8	EC002714 Inductive proximity switch
--------	-------------------------------------

More

IPF Product Group	203 inductive sensors (diverse)
packaging dimensions	130 x 100 x 17 mm
gross weight	30 g
Customs tariff number	85365019
WEEE number	40951076
OzDS-compliant	Yes
POP-compliant	Yes
Reach-compliant	Yes
RoHS-compliant	Yes

Connection



Extract accessories program

AY000115



accessories sensor, Fixture kit,
Metal, ball joint

AY000162



Accessories, magnetic, Ø43mm,
neodymium-iron-boron, inside
thread M5, rubber

AY000159



accessories sensor, Mounting
pipe, Ø12mm 200long, Aluminum
Anodised

VK200421



Connection cable, 2m, M12
Female (socket) 4pin Angular, Free
conductor end, 4x0.34mm², PUR
(Polyurethane), Ø4.7mm, -30-
90°C, IP67, With LED display,
Suitable for trailing chain and
torsion resistant, Oil and cooling
lubricants, Welding area, Silic...

VK500421



Connection cable, 5m, M12
Female (socket) 4pin Angular, Free
conductor end 4pin, 4x0.34mm²,
PUR (Polyurethane), Ø4.7mm, -30-
90°C, IP67, With LED display,
Suitable for trailing chain and
torsion resistant, Oil and cooling
lubricants, Welding area, ...

VK200321



Connection cable, 2m, M12
Female (socket) 4pin Angular, Free
conductor end, 4x0.34mm², PUR
(Polyurethane), Ø4.7mm, 250V, -
40-90°C, IP67, Suitable for trailing
chain and torsion resistant, Oil and
cooling lubricants, Welding area,
Silicone-free

VK200325



Connection cable, 2m, M12
Female (socket) 4pin Straight, Free
conductor end, 4x0.34mm², PUR
(Polyurethane), Ø4.7mm, 250V, -
40-90°C, IP67, Suitable for trailing
chain and torsion resistant, Oil and
cooling lubricants, Welding area,
Silicone-free

VK003021



Cable socket, Angular, Suitable for
self-assembly, Screw connection,
Ø3-6.5mm, 4A, 60V, -25-90°C,
M12 Female (socket) 5pin, IP67,
PBT

VK003025



Cable socket, Straight, Suitable for
self-assembly, Screw connection,
Ø3-6.5mm, 4A, 60V, -25-90°C,
M12 Female (socket) 5pin, IP67,
PBT

You can find further accessories on our homepage



Installation

Mounting / installation may only be carried
out by a qualified electrician!



Disposal

WEEE number according to § 6 para. 3
ElektroG: 40951076

Safety warnings

/ Before initial operation, please make sure to follow all safety instructions that may be provided in the product information.

/ Never use these devices in applications where the safety of a person depends on their functionality.