

IB120225

Inductive sensors • Norm switching distance

sensor inductive, M12x1 45long, Flush, Sn: 3, 10-30V DC, PNP NC, Connector M12 4pin, IP67, Brass Nickel-plated

including Nut



The IB120225 inductive sensor was manufactured in accordance with EN 60947-5-2 and is ideal for use in soiling areas and harsh environmental conditions. It recognizes conductive metals at short distances and is not affected by other materials.

The sensor has a factory-set switching distance of 3mm, which is based on a norm measuring plate. The cylindrical housing of the sensor is made of brass and has an M12x1mm thread for mounting. The electrical connection is made via a 4-pin M12 plug connector.

Overall, the IB120225 is a reliable sensor for standard applications that impresses with its robust design and high sensitivity.

Electrical features

Display	LED display
Type of switching function	Normally closed contact (NC)
Type of electrical connection	Connector M12
Type of switching output	PNP
Rated switching current	200 mA
Relative hysteresis	15 %
Correction factor (aluminum)	0.3
Correction factor (copper)	0.2
Correction factor (brass)	0.4
Correction factor (St37)	1
Correction factor (stainl. steel)	0.7
Short-circuit protection	Yes
No-load current	15 mA
Number of pins	4
Relative repeat accuracy	10 %
Switching distance	3 mm
Switching frequency	800 Hz
Voltage drop	2 V
Reverse polarity protection	Yes
Operating voltage (DC)	10 - 30 V

Mechanical features

Alignment of cable entry	axial
Design	Cylinder, screw-thread
Thread length	23 mm
Thread pitch	1 mm
Cable infeed	axial
Length	45 mm
Mechanical mounting condition for sensor	flush
Surface	nickel-plated
Degree of protection (IP)	IP67
Active area material of sensor	Plastic (PBT)
Housing material	Brass
Thread dimension	M12
Ambient temperature	-25 - 70 °C

Other features

Reference medium / object	Standard measuring plate FE360 12x12x1mm
---------------------------	--

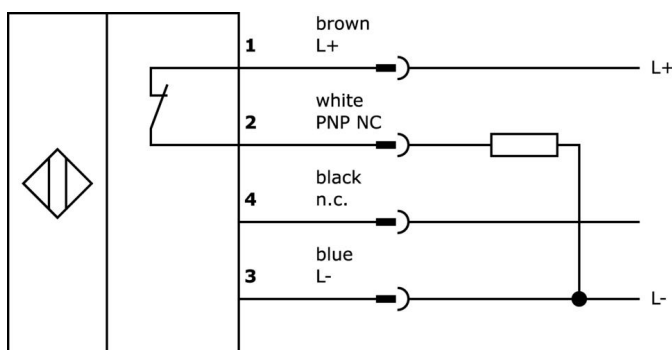
Classification

ETIM 8	EC002714 Inductive proximity switch
--------	-------------------------------------

More

IPF Product Group	203 inductive sensors (diverse)
packaging dimensions	120 x 100 x 17 mm
gross weight	30 g
Customs tariff number	85365019
WEEE number	40951076
OzDS-compliant	Yes
POP-compliant	Yes
Reach-compliant	Yes
RoHS-compliant	Yes

Connection



Extract accessories program

VK000041



Adaptation, M12 Female (socket)
4pin Straight, M8 Male
(connector) 4pin Straight, 24V, -
25-85°C, IP67, Oil and cooling
lubricants, Welding area

AY000162



Accessories, magnetic, Ø43mm,
neodymium-iron-boron, inside
thread M5, rubber

AY000159



accessories sensor, Mounting
pipe, Ø12mm 200long, Aluminum
Anodised

VK003020



Cable socket, angular, self-
assembly, screw connection, Ø3-6.
5mm, 4A, 240V, -25-90°C, M12
socket 4-pin, IP67, PBT

VK003024



Cable socket, Straight, Suitable for
self-assembly, Screw connection,
Ø3-6.5mm, 4A, 240V, -25-90°C,
M12 Female (socket) 4pin, IP67,
PBT

VK030F23



Connection cable, 0.3m, M12
socket 4-pin angular, M12
connector 4-pin straight, 4x0.
34mm², PUR (polyurethane), IP67,
LED, suitable for trailing chain and
torsion resistant, oils and cooling
lubricants, welding area, silicone-
free

VK030F26



Connection cable, 0.3m, M12
socket 4-pin straight, M12
connector 4-pin straight, 4x0.
34mm², PUR (polyurethane), IP67,
LED, suitable for trailing chain and
torsion resistant, oils and cooling
lubricants, welding area, silicone-
free

VK030F21



Connection cable, 0.3m, M12
socket 4-pin angular, M12
connector 4-pin straight, 4x0.
34mm², 240V, IP67, suitable for
trailing chain and torsion resistant,
oils and cooling lubricants,
welding area, silicone-free

VK030F25



Connection cable, 0.3m, M12
socket 4-pin straight, M12
connector 4-pin straight, 4x0.
34mm², PUR (polyurethane),
240V, IP67, suitable for trailing
chain and torsion resistant, oils
and cooling lubricants, welding
area, silicone-free

You can find further accessories on our homepage



Installation

Mounting / installation may only be carried out by a qualified electrician!



Disposal

WEEE number according to § 6 para. 3
ElektroG: 40951076

Safety warnings

/ Before initial operation, please make sure to follow all safety instructions that may be provided in the product information.

/ Never use these devices in applications where the safety of a person depends on their functionality.