

## IB121121

### Inductive sensors • Norm switching distance

sensor inductive, M12x1 60long, Flush, Sn: 3, 10-30V DC, NPN NO, Connector M12 3pin, IP67, Brass Nickel-plated

including Nut



The IB121121 inductive sensor is specially designed for use in soiling and harsh environments. It recognizes conductive metals at short distances and is not affected by other materials. Manufactured according to EN 60947-5-2 standards, this sensor is suitable for all standard applications.

The switching distance of the sensor is set at the factory using a norm measuring plate whose edge length corresponds to the diameter of the sensor surface. In accordance with this standard, the IB121121 flush-mounted sensor achieves a switching distance of 3 mm.

The housing of the sensor is cylindrical and made of brass. An M12x1mm thread is also cut into it. The electrical connection is made via a 3-pin M12 plug connector.

#### Electrical features

Display	LED display
Type of switching function	Normally open contact (NO)
Type of electrical connection	Connector M12
Type of switching output	NPN
Rated switching current	200 mA
Relative hysteresis	15 %
Correction factor (aluminum)	0.3
Correction factor (copper)	0.2
Correction factor (brass)	0.4
Correction factor (St37)	1
Correction factor (stainl. steel)	0.7
Short-circuit protection	Yes
No-load current	15 mA
Number of pins	3
Relative repeat accuracy	10 %
Switching distance	3 mm
Switching frequency	800 Hz
Voltage drop	2 V
Reverse polarity protection	Yes
Operating voltage (DC)	10 - 30 V

**Mechanical features**

Alignment of cable entry	axial
Design	Cylinder, screw-thread
Thread length	40 mm
Thread pitch	1 mm
Cable infeed	axial
Length	60 mm
Mechanical mounting condition for sensor	flush
Surface	nickel-plated
Degree of protection (IP)	IP67
Active area material of sensor	Plastic (PBT)
Housing material	Brass
Thread dimension	M12
Ambient temperature	-25 - 70 °C

**Other features**

Reference medium / object	Standard measuring plate FE360 12x12x1mm
---------------------------	------------------------------------------

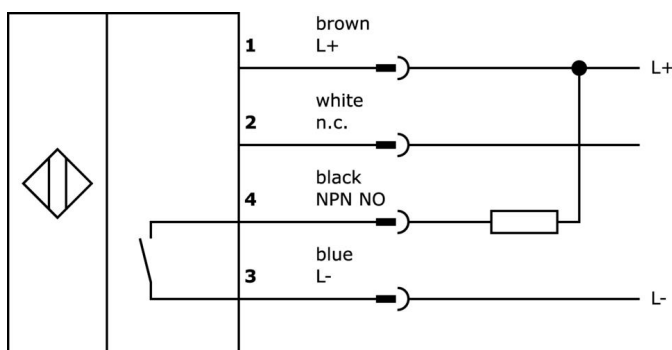
**Classification**

ETIM 8	EC002714 Inductive proximity switch
--------	-------------------------------------

**More**

IPF Product Group	203 inductive sensors (diverse)
packaging dimensions	120 x 100 x 17 mm
gross weight	25 g
Customs tariff number	85365019
WEEE number	40951076
OzDS-compliant	Yes
POP-compliant	Yes
Reach-compliant	Yes
RoHS-compliant	Yes

**Connection**



**Extract accessories program**

**VK030F60**



Connection cable, 0.3m, M12 socket 3-pin angular, M8 connector 3-pin straight, 3x0.34mm<sup>2</sup>, PUR (polyurethane), 60V, IP67, suitable for trailing chain and torsion resistant, oils and cooling lubricants, welding area, silicone-free

**VK030F64**



Connection cable, 0.3m, M12 socket 3-pin straight, M8 connector 3-pin straight, 3x0.34mm<sup>2</sup>, PUR (polyurethane), 60V, IP67, suitable for trailing chain and torsion resistant, oils and cooling lubricants, welding area, silicone-free

**AY000156**



accessories sensor, Clamp sleeve, M16x1 31long, Brass White bronze

**AY000162**



Accessories, magnetic, Ø43mm, neodymium-iron-boron, inside thread M5, rubber

**AY000159**



accessories sensor, Mounting pipe, Ø12mm 200long, Aluminum Anodised

**AY000115**



accessories sensor, Fixture kit, Metal, ball joint

**VY200120**



time stage, Turn-on/turn-off delayed, Ø20mm 60long, 65s, 10-30V DC, 1x NO, M12 4pin, IP67, Plastic, Teach-In

**VY030125**



time stage, Turn-on delay, 0-0.15s, 10-35V DC, 1x NO, M12 3pin 0.3m, IP67, Plastic, Potentiometer

**VK200021**



Connection cable, 2m, M12 Female (socket) 3pin Angular, Free conductor end, 3x0.34mm<sup>2</sup>, PUR (Polyurethane), Ø4.3mm, 250V, -30-90°C, IP67, Suitable for trailing chain and torsion resistant, Oil and cooling lubricants, Welding area, Silicone-free

You can find further accessories on our homepage



**Installation**

Mounting / installation may only be carried out by a qualified electrician!



**Disposal**

WEEE number according to § 6 para. 3 ElektroG: 40951076

**Safety warnings**

/ Before initial operation, please make sure to follow all safety instructions that may be provided in the product information.

/ Never use these devices in applications where the safety of a person depends on their functionality.