

## IB121221

### Inductive sensors • Norm switching distance

sensor inductive, M12x1 60long, Flush, Sn: 3, 10-30V DC, NPN NC, Connector M12 3pin, IP67, Brass Nickel-plated

including Nut



The IB121221 inductive sensor was manufactured in accordance with EN 60947-5-2 standards and is ideal for use in soiling and harsh environments. It recognizes conductive metals at short distances without being influenced by other materials. The switching distance of 3 mm is set at the factory using a norm measuring plate whose edge length corresponds to the diameter of the sensor surface. The sensor can be flush-mounted, has a brass housing with an M12x1mm thread and a 3-pin M12 connector for the electrical connection.

#### Electrical features

Display	LED display
Type of switching function	Normally closed contact (NC)
Type of electrical connection	Connector M12
Type of switching output	NPN
Rated switching current	200 mA
Relative hysteresis	15 %
Correction factor (aluminum)	0.3
Correction factor (copper)	0.2
Correction factor (brass)	0.4
Correction factor (St37)	1
Correction factor (stainl. steel)	0.7
Short-circuit protection	Yes
No-load current	15 mA
Number of pins	3
Relative repeat accuracy	10 %
Switching distance	3 mm
Switching frequency	800 Hz
Voltage drop	2 V
Reverse polarity protection	Yes
Operating voltage (DC)	10 - 30 V

**Mechanical features**

Alignment of cable entry	axial
Design	Cylinder, screw-thread
Thread length	40 mm
Thread pitch	1 mm
Cable infeed	axial
Length	60 mm
Mechanical mounting condition for sensor	flush
Surface	nickel-plated
Degree of protection (IP)	IP67
Active area material of sensor	Plastic (PBT)
Housing material	Brass
Thread dimension	M12
Ambient temperature	-25 - 70 °C

**Other features**

Reference medium / object	Standard measuring plate FE360 12x12x1mm
---------------------------	--

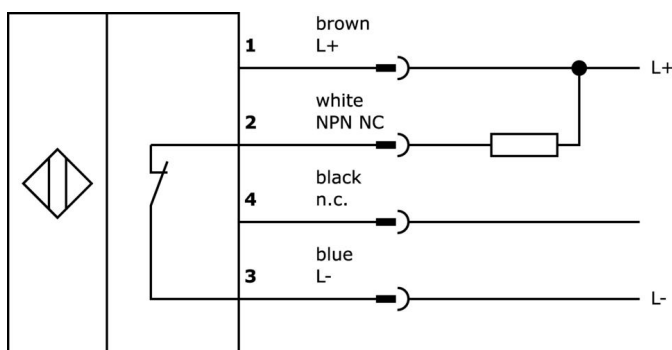
**Classification**

ETIM 8	EC002714 Inductive proximity switch
--------	-------------------------------------

**More**

IPF Product Group	203 inductive sensors (diverse)
packaging dimensions	120 x 100 x 20 mm
gross weight	25 g
Customs tariff number	85365019
WEEE number	40951076
OzDS-compliant	Yes
POP-compliant	Yes
Reach-compliant	Yes
RoHS-compliant	Yes

**Connection**



**Extract accessories program**

**VK030F21**



Connection cable, 0.3m, M12 socket 4-pin angular, M12 connector 4-pin straight, 4x0.34mm<sup>2</sup>, 240V, IP67, suitable for trailing chain and torsion resistant, oils and cooling lubricants, welding area, silicone-free

**VK030F25**



Connection cable, 0.3m, M12 socket 4-pin straight, M12 connector 4-pin straight, 4x0.34mm<sup>2</sup>, PUR (polyurethane), 240V, IP67, suitable for trailing chain and torsion resistant, oils and cooling lubricants, welding area, silicone-free

**VK200021**



Connection cable, 2m, M12 Female (socket) 3pin Angular, Free conductor end, 3x0.34mm<sup>2</sup>, PUR (Polyurethane), Ø4.3mm, 250V, -30-90°C, IP67, Suitable for trailing chain and torsion resistant, Oil and cooling lubricants, Welding area, Silicone-free

**VK200025**



Connection cable, 2m, M12 Female (socket) 3pin Straight, Free conductor end, 3x0.34mm<sup>2</sup>, PUR (Polyurethane), Ø4.3mm, 250V, -30-90°C, IP67, Suitable for trailing chain and torsion resistant, Oil and cooling lubricants, Welding area, Silicone-free

**VK200321**



Connection cable, 2m, M12 Female (socket) 4pin Angular, Free conductor end, 4x0.34mm<sup>2</sup>, PUR (Polyurethane), Ø4.7mm, 250V, -40-90°C, IP67, Suitable for trailing chain and torsion resistant, Oil and cooling lubricants, Welding area, Silicone-free

**VK200325**



Connection cable, 2m, M12 Female (socket) 4pin Straight, Free conductor end, 4x0.34mm<sup>2</sup>, PUR (Polyurethane), Ø4.7mm, 250V, -40-90°C, IP67, Suitable for trailing chain and torsion resistant, Oil and cooling lubricants, Welding area, Silicone-free

**AY000115**



accessories sensor, Fixture kit, Metal, ball joint

**AY000162**



Accessories, magnetic, Ø43mm, neodymium-iron-boron, inside thread M5, rubber

**AY000159**



accessories sensor, Mounting pipe, Ø12mm 200long, Aluminum Anodised

You can find further accessories on our homepage



**Installation**

Mounting / installation may only be carried out by a qualified electrician!



**Disposal**

WEEE number according to § 6 para. 3 ElektroG: 40951076

**Safety warnings**

/ Before initial operation, please make sure to follow all safety instructions that may be provided in the product information.

/ Never use these devices in applications where the safety of a person depends on their functionality.