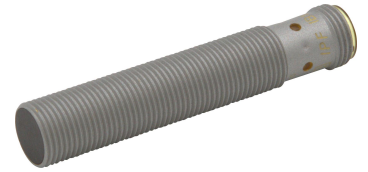


## IB129129

### Inductive sensors • welding-proof

Sensor inductive, M12x1 65long, Sn: 4, 10-30V DC, -40-85°C, PNP NO, M12 plug connector 3-pin, IP69K, brass, welding proof, factor 1

including Nut



Inductive proximity switches are contactless sensors. They detect all conductive metals, irrespective of whether they are moving or not. The achievable switching distance of the devices depends on the object material and its dimensions. The vibration-resistant sensors can be approached from the side or front. Inductive proximity switches are used for presence detection (e.g. product carriers), positioning (e.g. furnace hatches), counting (e.g. nuts / bolts), speed detection (e.g. on toothed wheels), on conveyor systems (e.g. hose feeds) or for distance measurements (e.g. press-in checks) of metallic objects.

#### Electrical features

Display	LED display
Type of switching function	Normally open contact (NO)
Type of electrical connection	Connector M12
Type of switching output	PNP
Rated switching current	100 mA
Relative hysteresis	15 %
Correction factor (aluminum)	1
Correction factor (copper)	1
Correction factor (brass)	1
Correction factor (St37)	1
Correction factor (stainless steel V2A: 1mm)	1
Correction factor (stainless steel V2A: 2mm)	1
Short-circuit protection	Yes
No-load current	20 mA
Number of pins	3
Switching distance	4 mm
Switching frequency	2000 Hz
Voltage drop	2.5 V
Interference resistance to magnetic fields	Immune against magnetic DC-field
Operating voltage (DC)	10 - 30 V
Magnetic field resistant	Yes

**Mechanical features**

Design	Cylinder, screw-thread
Thread length	50 mm
Thread pitch	1 mm
Cable infeed	axial
Length	65 mm
Mechanical mounting condition for sensor	flush
Degree of protection (IP)	IP69K
Active area material of sensor	Plastic (LCP)
Housing material	Brass
Thread dimension	M12
Ambient temperature	-40 - 85 °C

**Other features**

Welding area	Yes
--------------	-----

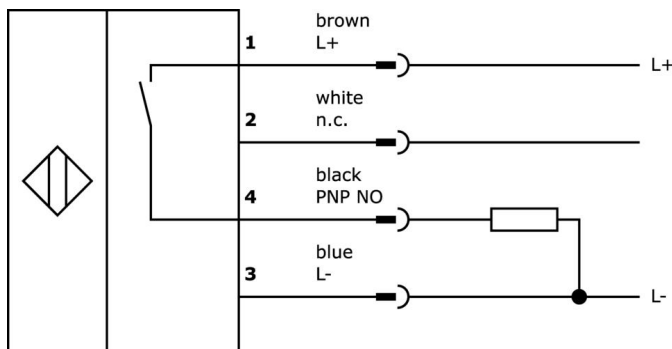
**Classification**

ETIM 8	EC002714 Inductive proximity switch
--------	-------------------------------------

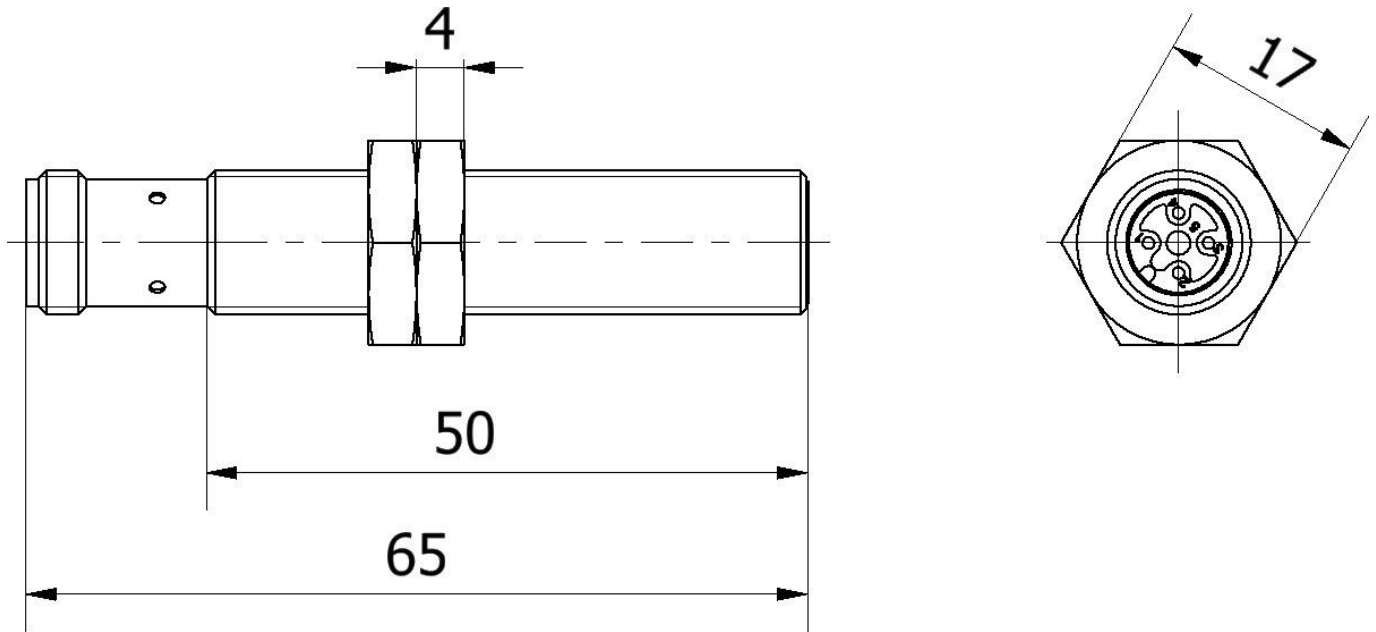
**More**

IPF Product Group	207 inductive sensors (welding proof)
packaging dimensions	210 x 150 x 13 mm
gross weight	29 g
Customs tariff number	85365019
WEEE number	40951076
OzDS-compliant	Yes
POP-compliant	Yes
Reach-compliant	Yes
RoHS-compliant	Yes

**Connection**



**Dimensional drawing**



**Extract accessories program**

**VK200221**



Connection cable, 2m, M12 Female (socket) 3pin Angular, Free conductor end, 3x0.34mm<sup>2</sup>, PUR (Polyurethane), Ø4.3mm, -30-90°C, IP67, With LED display, Suitable for trailing chain and torsion resistant, Oil and cooling lubricants, Welding area, Silic...

**VK200225**



Connection cable, 2m, M12 Female (socket) 3pin Straight, Free conductor end, 3x0.34mm<sup>2</sup>, PUR (Polyurethane), Ø4.3mm, -30-90°C, IP67, With LED display, Suitable for trailing chain and torsion resistant, Oil and cooling lubricants, Welding area, Sili...

**VK030F23**



Connection cable, 0.3m, M12 socket 4-pin angular, M12 connector 4-pin straight, 4x0.34mm<sup>2</sup>, PUR (polyurethane), IP67, LED, suitable for trailing chain and torsion resistant, oils and cooling lubricants, welding area, silicone-free

**VK030F26**



Connection cable, 0.3m, M12 socket 4-pin straight, M12 connector 4-pin straight, 4x0.34mm<sup>2</sup>, PUR (polyurethane), IP67, LED, suitable for trailing chain and torsion resistant, oils and cooling lubricants, welding area, silicone-free

**VK003020**



Cable socket, angular, self-assembly, screw connection, Ø3-6.5mm, 4A, 240V, -25-90°C, M12 socket 4-pin, IP67, PBT

**VK003024**



Cable socket, Straight, Suitable for self-assembly, Screw connection, Ø3-6.5mm, 4A, 240V, -25-90°C, M12 Female (socket) 4pin, IP67, PBT

**VK030F21**



Connection cable, 0.3m, M12 socket 4-pin angular, M12 connector 4-pin straight, 4x0.34mm<sup>2</sup>, 240V, IP67, suitable for trailing chain and torsion resistant, oils and cooling lubricants, welding area, silicone-free

**VK030F25**



Connection cable, 0.3m, M12 socket 4-pin straight, M12 connector 4-pin straight, 4x0.34mm<sup>2</sup>, PUR (polyurethane), 240V, IP67, suitable for trailing chain and torsion resistant, oils and cooling lubricants, welding area, silicone-free

**VK030F60**



Connection cable, 0.3m, M12 socket 3-pin angular, M8 connector 3-pin straight, 3x0.34mm<sup>2</sup>, PUR (polyurethane), 60V, IP67, suitable for trailing chain and torsion resistant, oils and cooling lubricants, welding area, silicone-free

You can find further accessories on our homepage

**Installation**

Mounting / installation may only be carried out by a qualified electrician!

**Disposal**

WEEE number according to § 6 para. 3  
ElektroG: 40951076

**Safety warnings**

- / Before initial operation, please make sure to follow all safety instructions that may be provided in the product information.
- / Never use these devices in applications where the safety of a person depends on their functionality.