

IB160175

Inductive sensors • Norm switching distance

sensor inductive, 28x10x16mm, Flush, Sn: 2, 10-30V DC, PNP NO, Connector M8 3pin, IP67, PA 6 (synthetic)



The IB160175 inductive sensor recognizes conductive metals at short distances and is not affected by other materials. It is particularly suitable for use in soiling and harsh environments. The sensor complies with the EN 60947-5-2 standard and is suitable for all standard applications. The switching distance of the sensor is set at the factory to 2 mm, measured with a norm measuring plate with an edge length equal to the diameter of the sensor surface.

The housing of the flush sensor is made of plastic (PA 6) with a cut-in thread. The sensor has an electrical connection with an M8 3-pin plug connector.

Electrical features

Display	LED display
Type of switching function	Normally open contact (NO)
Type of electrical connection	Connector M8
Type of switching output	PNP
Rated switching current	200 mA
Relative hysteresis	15 %
Short-circuit protection	Yes
No-load current	13 mA
Number of pins	3
Switching distance	2 mm
Switching frequency	1000 Hz
Voltage drop	2.4 V
Reverse polarity protection	Yes
Operating voltage (DC)	10 - 30 V

Mechanical features

Design	Cuboid
Width	16 mm
Height	28 mm
Cable infeed	axial
Length	10.4 mm
Mechanical mounting condition for sensor	flush
Degree of protection (IP)	IP67
Active area material of sensor	Plastic (PA6)
Housing material	PA 6 (synthetic)
Ambient temperature	-25 - 70 °C

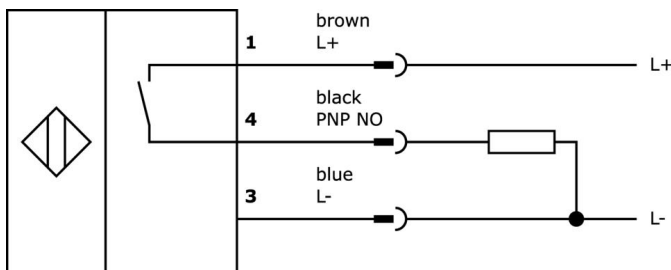
Classification

ETIM 8	EC002714 Inductive proximity switch
--------	-------------------------------------

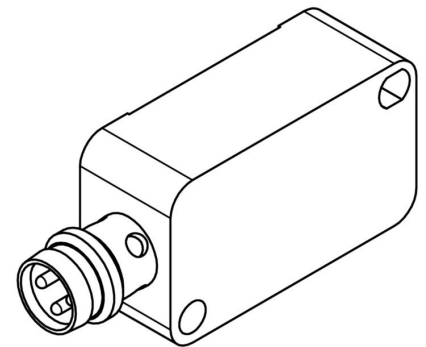
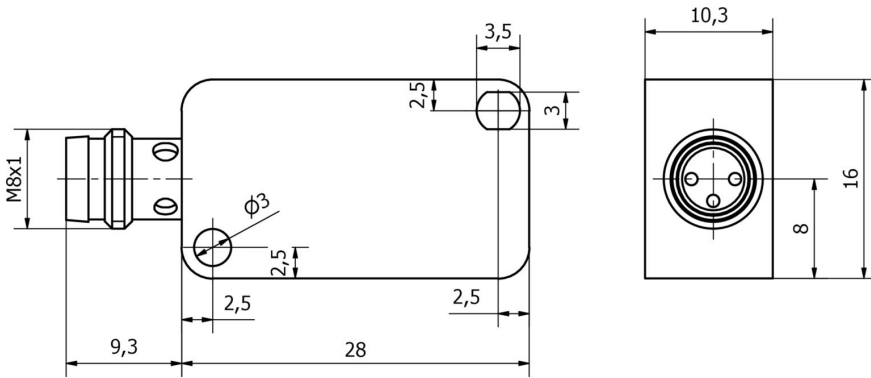
More

IPF Product Group	215 inductive sensors (cuboid)
packaging dimensions	120 x 100 x 20 mm
gross weight	9 g
Customs tariff number	85365019
WEEE number	40951076
OzDS-compliant	Yes
POP-compliant	Yes
Reach-compliant	Yes
RoHS-compliant	Yes

Connection



Dimensional drawing



Extract accessories program

VK030F70

Connection cable, 0.3m, M8 socket 3-pin angular, M8 connector 3-pin straight, 3x0.34mm², PUR (polyurethane), 60V, IP67, suitable for trailing chain and torsion resistant, oils and cooling lubricants, welding area, silicone-free

VK030F74

Connection cable, 0.3m, M8 socket 3-pin straight, M8 connector 3-pin straight, 3x0.34mm², PUR (polyurethane), 60V, IP67, suitable for trailing chain and torsion resistant, oils and cooling lubricants, welding area, silicone-free

AY000118

accessories sensor, Fixture kit, Metal, ball joint



AY000162

Accessories, magnetic, Ø43mm, neodymium-iron-boron, inside thread M5, rubber



VK200071

Connection cable, 2m, M8 Female (socket) 3pin Angular, Free conductor end, 3x0.34mm², PUR (Polyurethane), Ø4.3mm, 60V, -40-90°C, IP67, TPU, Suitable for trailing chain and torsion resistant, Oil and cooling lubricants, Welding area, Silicone-free



VK200075

Connection cable, 2m, M8 female (socket) 3pin Straight, free conductor end, 3x0.34mm², PUR (Polyurethane), Ø4.3mm, 60V, -30-90°C, IP67, suitable for trailing chain and torsion resistant, oil and cooling lubricants, welding area, Silicone-free



VK030F82

Connection cable, 0.3m, M8 socket 3-pin angular, M12 connector 3-pin straight, 3x0.34mm², PUR (polyurethane), IP67, LED, suitable for trailing chain and torsion resistant, oils and cooling lubricants, welding area, silicone-free



VK060F82

Connection cable, 0.6m, M8 socket 3-pin angular, M12 connector 3-pin straight, 3x0.34mm², PUR (polyurethane), IP67, LED, suitable for trailing chain and torsion resistant, oils and cooling lubricants, welding area, silicone-free



VK003070

Cable socket, Angular, Suitable for self-assembly, Soldering connection, Ø3.5-5mm, 4A, 60V, -40-85°C, M8 Female (socket) 3pin, IP67, Brass



You can find further accessories on our homepage

**Installation**

Mounting / installation may only be carried out by a qualified electrician!

**Disposal**

WEEE number according to § 6 para. 3
ElektroG: 40951076

Safety warnings

- / Before initial operation, please make sure to follow all safety instructions that may be provided in the product information.
- / Never use these devices in applications where the safety of a person depends on their functionality.